



Gear-Driven Slicer
Model MS-IT-0313-H
Item 44006
Instruction Manual



Revised - 05/26/2023



Toll Free: 1-800-465-0234
Fax: 905-607-0234
Email: service@omcan.com
www.omcan.com



Table of Contents

Model MS-IT-0313-H

Section	Page
General Information -----	3 - 4
Safety and Warranty -----	4 - 5
Technical Specifications -----	6
Installation -----	6 - 7
Operation -----	7
Maintenance -----	8 - 10
Troubleshooting -----	11
Parts Breakdown -----	12 - 25
Electrical Schematics -----	26
Warranty Registration -----	27



General Information

Omcan Manufacturing and Distributing Company Inc., Food Machinery of America, Inc. dba Omcan and Omcan Inc. are not responsible for any harm or injury caused due to any person's improper or negligent use of this equipment. The product shall only be operated by someone over the age of 18, of sound mind, and not under the influence of any drugs or alcohol, who has been trained in the correct operation of this machine, and is wearing authorized, proper safety clothing. Any modification to the machine voids any warranty, and may cause harm to individuals using the machine or in the vicinity of the machine while in operation.

CHECK PACKAGE UPON ARRIVAL

Upon receipt of an Omcan shipment please inspect for external damage. If no damage is evident on the external packaging, open carton to ensure all ordered items are within the box, and there is no concealed damage to the machine. If the package has suffered rough handling, bumps or damage (visible or concealed), please note it on the bill of lading before accepting the delivery and contact Omcan within 24 hours, so we may initiate a claim with the carrier. A detailed report on the extent of the damage caused to the machine must be filled out within three days, from the delivery date shown in the shipping documents. Omcan has no recourse for damaged products that were shipped collect or third party.

Before operating any equipment, always read and familiarize yourself with all operation and safety instructions.

Omcan would like to thank you for purchasing this machine. It's of the utmost importance to save these instructions for future reference. Also save the original box and packaging for shipping the equipment if servicing or returning of the machine is required.

Omcan Fabrication et distribution Compañie Limité et Food Machinery d'Amerique, dba Omcan et Omcan Inc. ne sont pas responsables de tout dommage ou blessure causé du fait que toute personne ait utilisé cet équipement de façon irrégulière. Le produit ne doit être exploité que par quelqu'un de plus de 18 ans, saine d'esprit, et pas sous l'influence d'une drogue ou d'acohol, qui a été formé pour utiliser cette machine correctement, et est vêtu de vêtements de sécurité approprié. Toute modification de la machine annule toute garantie, et peut causer un préjudice à des personnes utilisant la machine ou des personnes à proximité de la machine pendant son fonctionnement.

VÉRIFIEZ LE COLIS DÈS RÉCEPTION

Dès réception d'une expédition d'Omcan veuillez inspecter pour dommages externes. Si aucun dommage n'est visible sur l'emballage externe, ouvrez le carton afin de s'assurer que tous les éléments commandés sont dans la boîte, et il n'y a aucun dommage dissimulé à la machine. Si le colis n'a subi aucune mauvaises manipulations, de bosses ou de dommages (visible ou cachée), notez-le sur le bond de livraison avant d'accepter la livraison et contactez Omcan dans les 24 heures qui suivent, pour que nous puissions engager une réclamation auprès du transporteur. Un rapport détaillé sur l'étendue des dommages causés à la machine doit être rempli dans un délai de trois jours, à compter de la date de livraison indiquée dans les documents d'expédition. Omcan n'a aucun droit de recours pour les produits endommagés qui ont été expédiées ou cueilli par un tiers transporteur.

General Information

Avant d'utiliser n'importe quel équipement, toujours lire et vous familiariser avec toutes les opérations et les consignes de sécurité.

Omcan voudrais vous remercier d'avoir choisi cette machine. Il est primordial de conserver ces instructions pour une référence ultérieure. Également conservez la boîte originale et l'emballage pour l'expédition de l'équipement si l'entretien ou le retour de la machine est nécessaire.

Omcan Empresa De Fabricacion Y Distribucion Inc. Y Maquinaria De Alimentos De America, Inc. dba Omcan y Omcan Inc. no son responsables de ningun daño o perjuicio causado por cualquier persona inadecuada o el uso descuidado de este equipo. El producto solo podra ser operado por una persona mayor de 18 años, en su sano juicio y no bajo alguna influencia de droga o alcohol, y que este ha sido entrenado en el correcto funcionamiento de esta máquina, y ésta usando ropa apropiada y autorizada. Cualquier modificación a la máquina anula la garantía y puede causar daños a las personas usando la máquina mientras esta en el funcionamiento.

REVISE EL PAQUETE A SU LLEGADA

Tras la recepcion de un envio Omcan favor inspeccionar daños externos. Si no hay daños evidentes en el empaque exterior, Habra el carton para asegurarse que todos los articulos solicitados estén dentro de la caja y no encuentre daños ocultos en la máquina. Si el paquete ha sufrido un manejo de poco cuidado, golpes o daños (visible o oculto) por favor anote en la factura antes de aceptar la entrega y contacte Omcan dentro de las 24 horas, de modo que podamos iniciar una reclamación con la compañía. Un informe detallado sobre los daños causados a la máquina debe ser llenado en el plazo de tres días, desde la fecha de entrega que se muestra en los documentos de envío. Omcan no tiene ningun recurso por productos dañados que se enviaron a recoger por terceros.

Antes de utilizar cualquier equipo, siempre leer y familiarizarse con todas las instrucciones de operación y seguridad.

Omcan quisiera darles las gracias por la compra de esta máquina. Es de la máxima importancia para guardar estas instrucciones para referencias en el futuro. También guarde la caja original y el embalaje para envío del equipo si el mantenimiento o la devolución de la máquina es necesaria.

Safety and Warranty

MECHANICAL SAFETY DEVICES

The slicer is manufactured according to the EEC 2006/42 Machinery Directive.

The mechanical safety devices are the following:

- Product holder removable only with the slice thickness control on zero (slice thickness plate positioned to protect the blade). After removing the product holder the slice thickness plate is mechanically clamped.



Safety and Warranty

- Protection devices mounted on the product holder to prevent the operator from any accidental contact with the blade.
- Blade guard. This fixed ring protects that part of the blade which is not used for the cutting operation.
- A special mechanical safety device to sharpen the blade keeping the fingers of the operator away from the cutting edge of the blade.

ELECTRICAL SAFETY DEVICES

The electrical safety devices in accordance with the EN 60204 standards are the following:

- Start and stop push buttons.
- Control circuit provided with electric servo-control; in any case of blade clamping the machine must be restarted manually.
- Safety device to stop the rotation of the blade if the clamping handle of the blade guard is released.

WARNING

When the machine is not used:

- Make sure that it is off.
- Re-position the slice thickness control to zero.

Do not remove the labels placed on the machine and replace them if damaged.

RESIDENTIAL USERS: Vendor assumes no liability for parts or labor coverage for component failure or other damages resulting from installation in non-commercial or residential applications. The right is reserved to deny shipment for residential usage; if this occurs, you will be notified as soon as possible.

1 YEAR PARTS AND LABOUR WARRANTY

Within the warranty period, contact Omcan Inc. at 1-800-465-0234 to schedule an Omcan authorized service technician to repair the equipment locally.

Unauthorized maintenance will void the warranty. Warranty covers electrical and part failures, not improper use.

Please see <https://omcan.com/disclaimer> for complete info.


WARNING:

The packaging components are classified as normal solid urban waste and can therefore be disposed of without difficulty.

In any case, for suitable recycling, we suggest disposing of the products separately (differentiated waste) according to the current norms.

DO NOT DISCARD ANY PACKAGING MATERIALS IN THE ENVIRONMENT!

Technical Specifications

Model	MS-IT-0313-H
Blade Size	12.3" / 313mm
Power	0.4 HP / 0.3 kW
Cheese Slicing*	
Slicing Volume*	8 hours or more
Cutting Size	10.6" x 8.9" / 270 x 225mm
Cut Thickness	0" - 1" / 0 - 25mm
RPM	250
Electrical	110-120V / 60Hz / 1
Weight	84 lbs. / 38 kgs.
Packaging Weight	101 lbs. / 46 kgs.
Dimensions	29" x 26" x 20" / 737 x 440 x 508mm
Packaging Dimensions	33" x 28" x 27" / 838 x 711 x 686mm
Item Number	44006

*Results may vary due to product consistency and temperature

Installation

The slicer must be mounted horizontally on a stable, robust and antiskid base adequate to support its weight. The suggested height of the working table is of about 800mm. It must be checked that the product holder is not clamped and the product to be cut can be easily loaded.

WARNING: to prevent the risk of crushing hazard, locate the machine in a manner that allows a clear space between the moving table and any permanent structure.

PRELIMINARY CLEANING

Before connecting the plug clean off the protective oil from the machine.

WARNING: the working table must always be cleaned.

ELECTRICAL SUPPLY

The machine must be installed in the proximity of a mains socket. Check that the power supply voltage corresponds to that described on the information label and that it is connected to an adequate ground.

1. Connect the plug.
2. Check that the blade cover fastener handle is tight screwed.
3. Check that the blade sharpener is lowered and the protective cover is closed.

Installation

MANUAL FUNCTIONING

1. Press push button blade start.

SLICER FUNCTIONING AND USE

The following products can be sliced: sausages, ham, cheese, bread. If large quantities of bread or cheese are usually cut it is advisable to mount a teflon coating.

WARNING

The following cannot be sliced:

- Not-eatable products.
- Foodstuffs with bones.
- Frozen products.

MANUAL FUNCTIONING

Rotate the product holder release handle in a clockwise direction by 180°.

Operation

HOW TO LOAD THE PRODUCT TO BE CUT

1. Check that the slicer is off and position the slice thickness control to zero.
2. Push the product holder towards the operator.
3. Lift and rotate the product pusher: the pusher can fall back, this is normal.
4. Place the product to be cut against the wall of the product holder and the slice thickness plate.
5. Position the product pusher on the product to be cut far from the slice thickness plate. The product is fed to the slice thickness plate by gravity making the cut easier.
6. Rotate the slice thickness control to the thickness desired.

DANGER: do not touch the carriage or the product holder when the machine is working.

MANUAL FUNCTIONING

1. Rotate the carriage release handle in a clockwise direction by 180°.
2. Press push button to start the blade.
3. With constant speed, according to the product to be sliced features, you can push the product holder tray to its end stroke in blade direction. You can then return in the operator position and repeat this operation.

After cutting the product, reposition the product holder towards the operator. By pressing push button stop blade the rotation of the blade stops. Re-position the slice thickness control to zero and unload the product.

Maintenance

BLADE SHARPENING

Whenever the cut is not satisfactory, sharpen the blade. The time interval between a sharpening and the following depends on the intensity of use of the slicer and on the kind of food you cut. Replace the blade when the diameter becomes 10mm less than the nominal diameter. For the replacement, ask the assistant service closest to you.

WARNING: the replacement of the blade is dangerous operation. Should the sharpening quality be not satisfactory, replace the stones by contacting Omcan.

SHARPENING OPERATION

DANGER: the sharpening operation must be performed during the manual functioning.

For a correct sharpening of the blade follow these instructions:

1. Clean the blade removing any greasy residue.
2. Make sure that the machine is off.
3. Rotate the slice thickness control to zero to make sure that the blade is covered by the slice thickness plate.

IMPORTANT: during the following operations the blade must always be covered by the removable protection.

4. Lift the sharpener cover.
5. Slip off completely the sharpener and spin it 180 degrees.
6. Replace the sharpener device.
7. Push the push button blade start to start the machine.
8. Sharpening: Press the sharpening wheel for about 10-15 seconds.
Then press simultaneously also the grinding stone for two seconds.
Contemporaneously loosen the two grind stones.
The sharpening and honing take place then simultaneously.

ATTENTION: for a suitable effect please execute sharpening for 10-15 seconds approx.

9. After sharpening press the blade stop push button.
10. Lift and rotate 180 degrees the sharpener and reallocate it into its initial position. Loosen the handle rotating it clockwise to block the sharpener. Lower the sharpener cover.

CLEANING OF THE GRINDING WHEELS

To obtain an excellent sharpening the grinding wheel must always be clean. Remove dirt and grease with alcohol and the supplied special brush. Be sure to clean and sanitize the blade after sharpening.

MAINTENANCE

All cleaning and maintenance operations must only be carried out with the machine disconnected and isolated from the mains supply and the slice thickness control on zero.

CONTROL OF THE AIR GRATING

An air grating for the motors ventilation is placed in the lower side of the machine. Keep the section-holes free and clean them with a brush at regular intervals.

CHECK OF THE ELECTRIC CABLE

It is recommended to check the wear of the electric cable at regular intervals.

SPARE PARTS

In the event that replacement parts need to be fitted, request only original spare parts.

CLEANING

The machine must be cleaned once a day or more frequently if necessary. Clean all the parts using a cloth sprinkled with water and washing up liquid (do not use strong detergents) and a brush.

WARNING: do not use water jet.

DANGER: during the cleaning operations take great care: danger of accident.

COMPONENTS REMOVAL

PRODUCT HOLDER

1. Loose the product holder by rotating the product holder clamping handle in a counterclockwise direction.
2. Position to zero the slice thickness control to remove the product holder.
3. Push the product holder towards the operator until it clicks. The click will inform the operator that the product holder is clamped.
4. Lift the last slice device from the guide bar.
5. Lift the product holder from the carriage.

IMPORTANT: the slice thickness control is clamped on zero.

BLADE COVER

1. Rotate the slice deflector and keep it away from the blade.
2. Loose the blade cover fastener handle by rotating it in a counterclockwise direction.

Maintenance

3. Push on the handle in the direction indicated by the arrow to lift the blade cover from the blade.
4. Lift the blade cover.

ATTENTION: once removed the blade cover, an interlocking device stops the rotation of the blade.

DANGER: during the cleaning operations of the blade, pay attention to an accidental contact with it.

5. Press a damp cloth on the front side of the blade and move slowly from the center towards the edge in the direction of the arrow.
6. Follow these instructions to clean the back side of the blade.
7. With a cloth dry both sides of the blade following this procedure.
8. Insert a damp cloth between the blade and the protection ring. Pull it outwards and rotate it to clean the internal side of the protection ring.
9. After cleaning re-position the blade cover, insert the fastener and screw in a clockwise direction to clamp the blade cover. Lower the sharpener protective cover.

IMPORTANT

Leave all the parts to soak in warm water and washing-up liquid (do not use strong detergents) and clean them by using a brush or a cloth. Rinse them in warm water and dry them.

To assemble the machine follow the reverse procedure as described for disassembly.

GUIDES LUBRICATION

This operation must be performed after cleaning the slicer or whenever the sliding is difficult. Use food safe oil only.

LUBRICATION OF THE GUIDE BAR OF THE LAST SLICE DEVICE

1. Drop some food grade oil on the bar.
2. Let the last slice device slide on the guide bar.

LUBRICATION OF THE GUIDE BAR OF THE PRODUCT HOLDER CARRIAGE

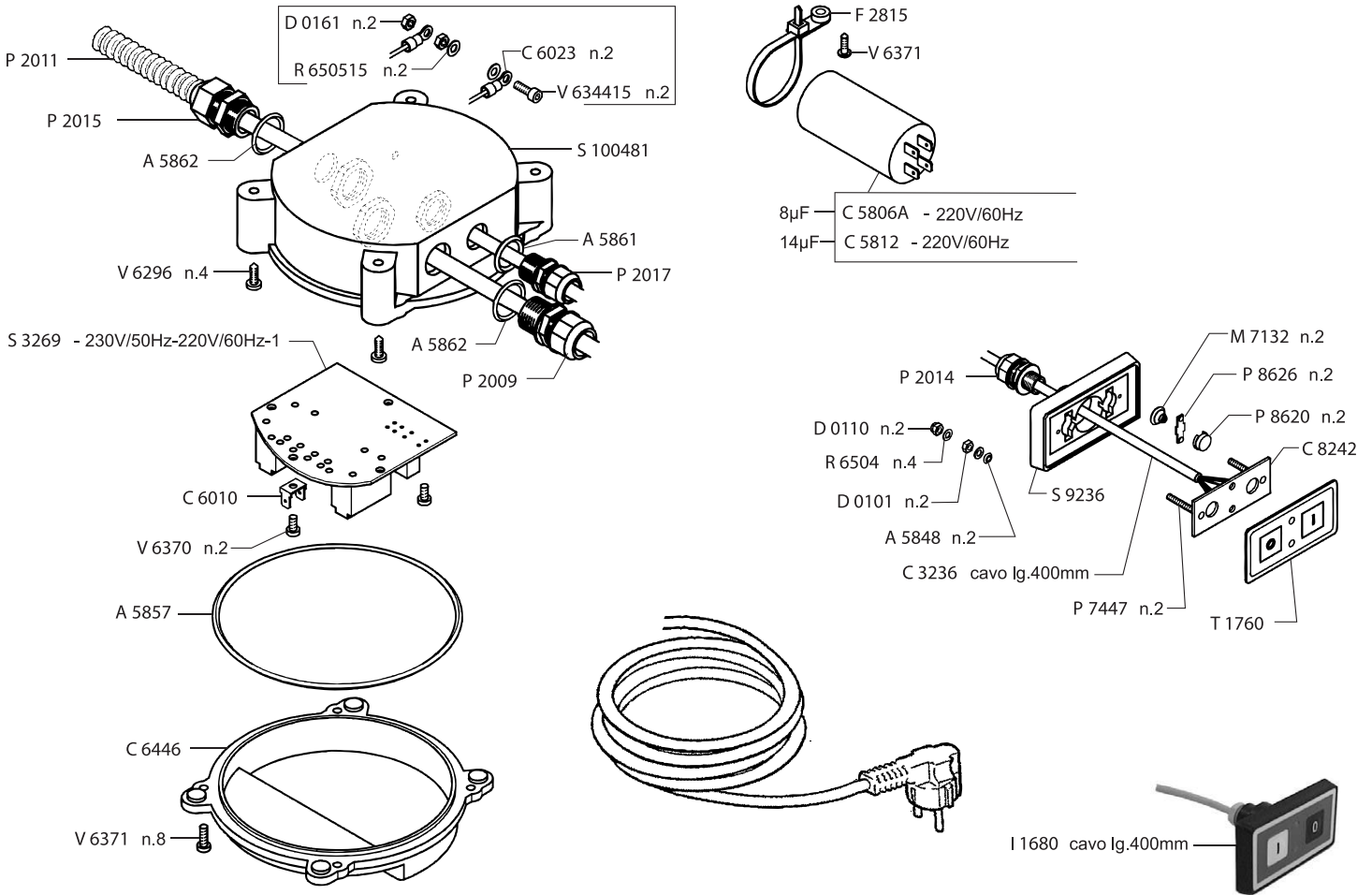
1. Push the product holder towards the operator.
2. Pour the food grade lubricating oil into the special carriage bar lubricator.
3. Push the product holder to and from and repeat the operation. Re-position it towards the operator.

Troubleshooting

PROBLEM	CORRECTIVE ACTION
The machine vibrates, overheats and emits a foul smell.	Stop it immediately and check that the voltage corresponds to that described on the rating label.
The blade cannot be sharpened any longer. The sharpening is no regular.	Clean the grinding wheels of the sharpener and check the wear of the blade.
On pushing the start push button the machine does not start.	Check if power missing. Check the safety devices.
The carriage and the last slice device run with difficulty.	Lubricate the guide bars.

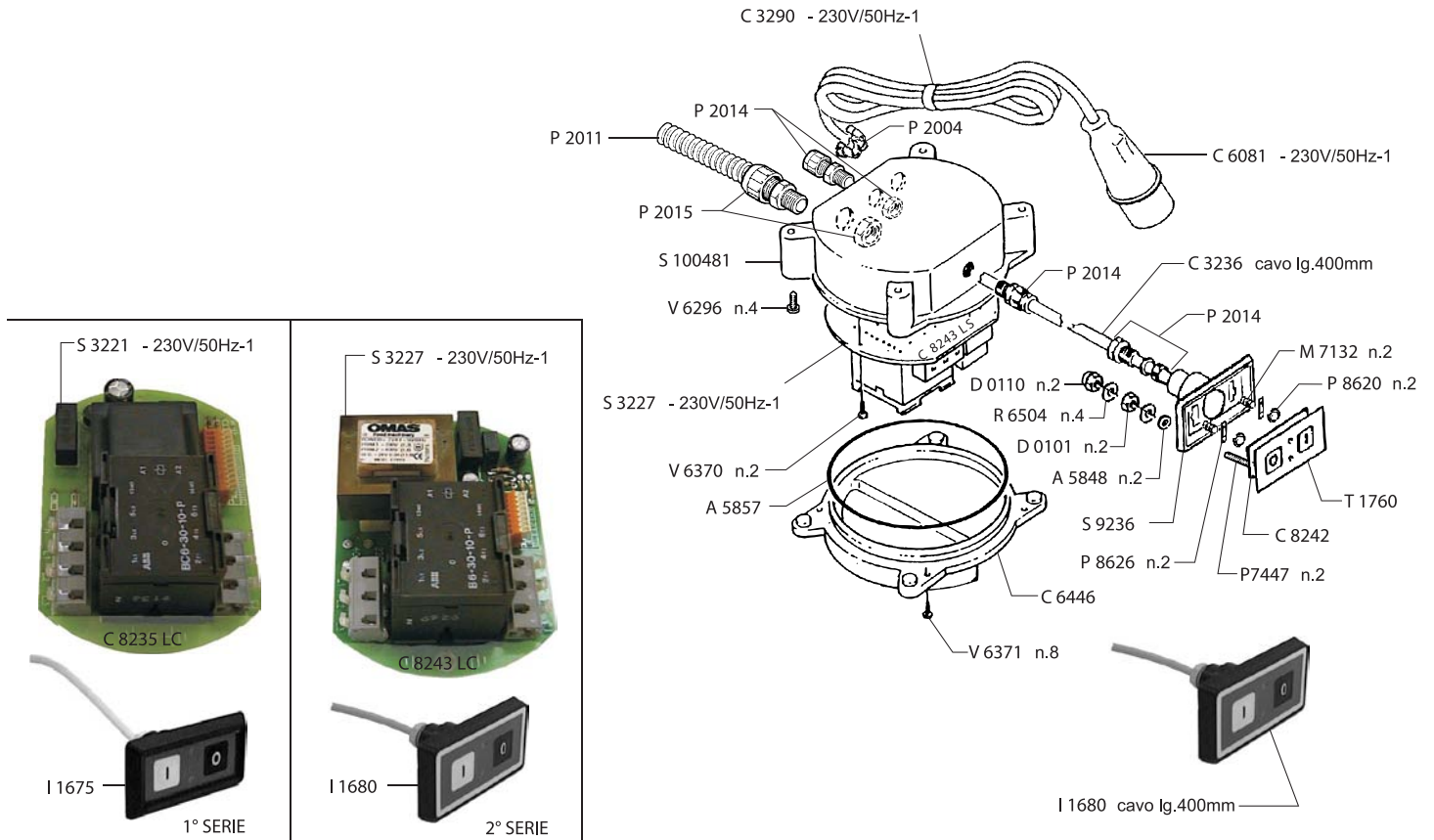
Parts Breakdown

Model MS-IT-0313-H 44006



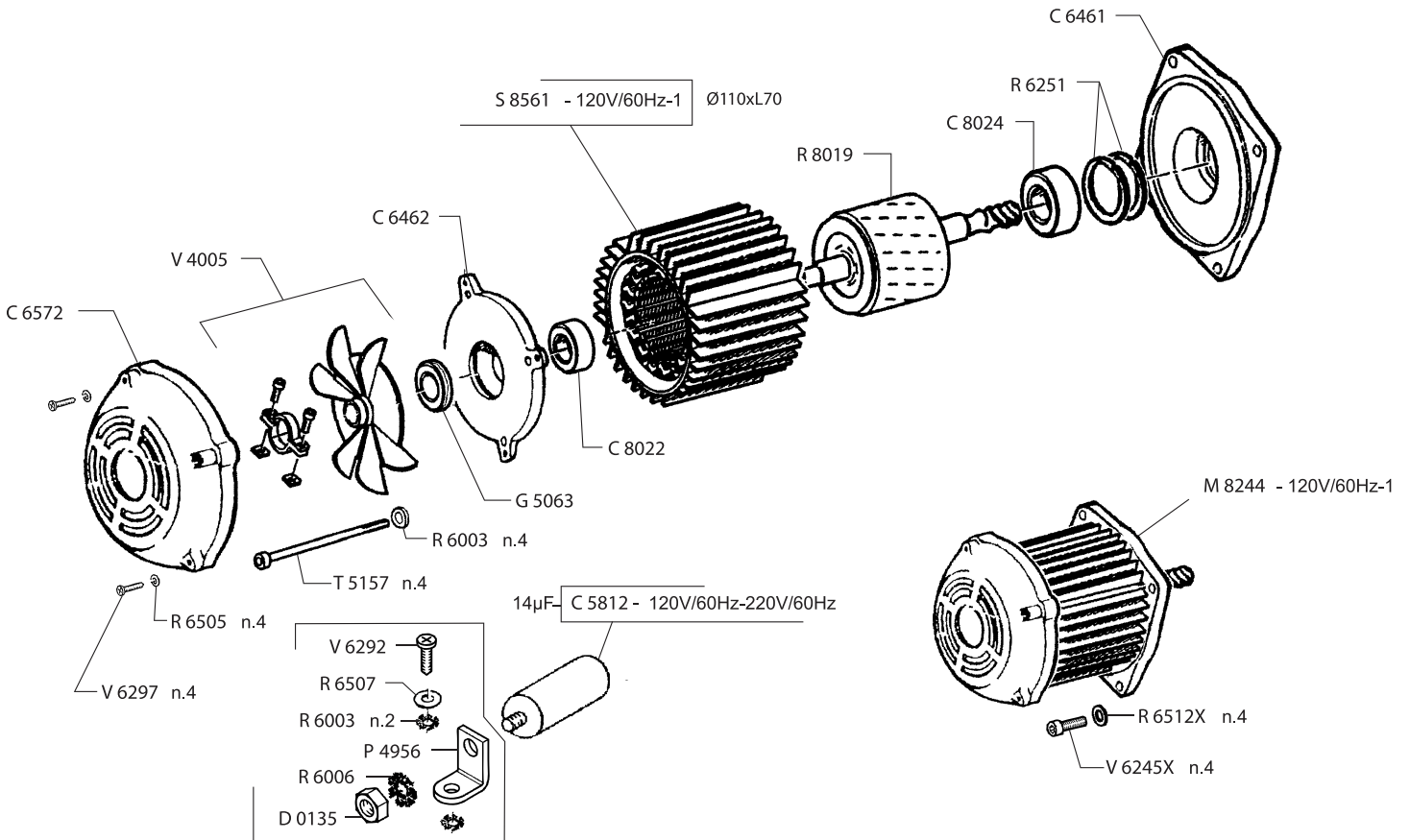
Parts Breakdown

Model MS-IT-0313-H 44006



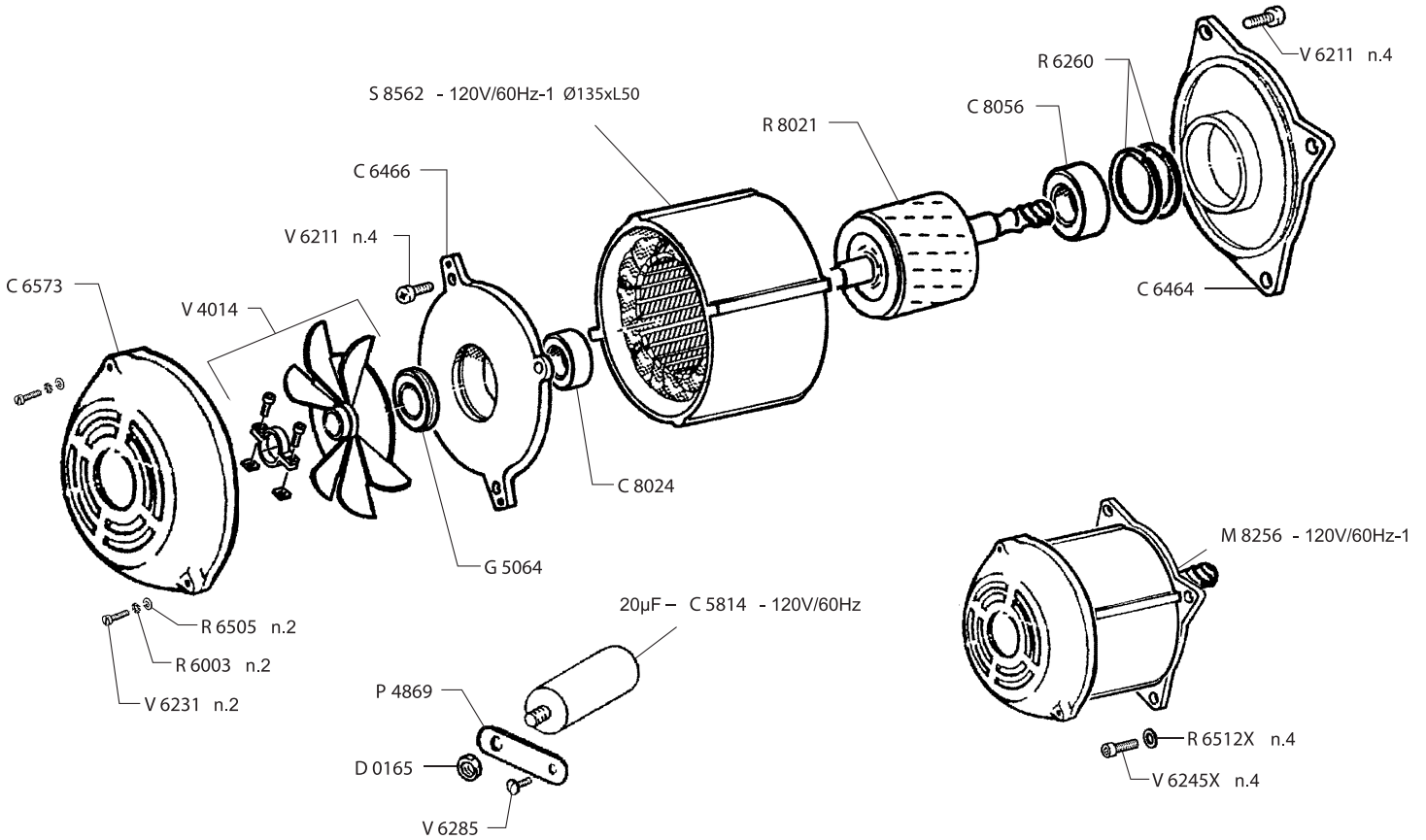
Parts Breakdown

Model MS-IT-0313-H 44006



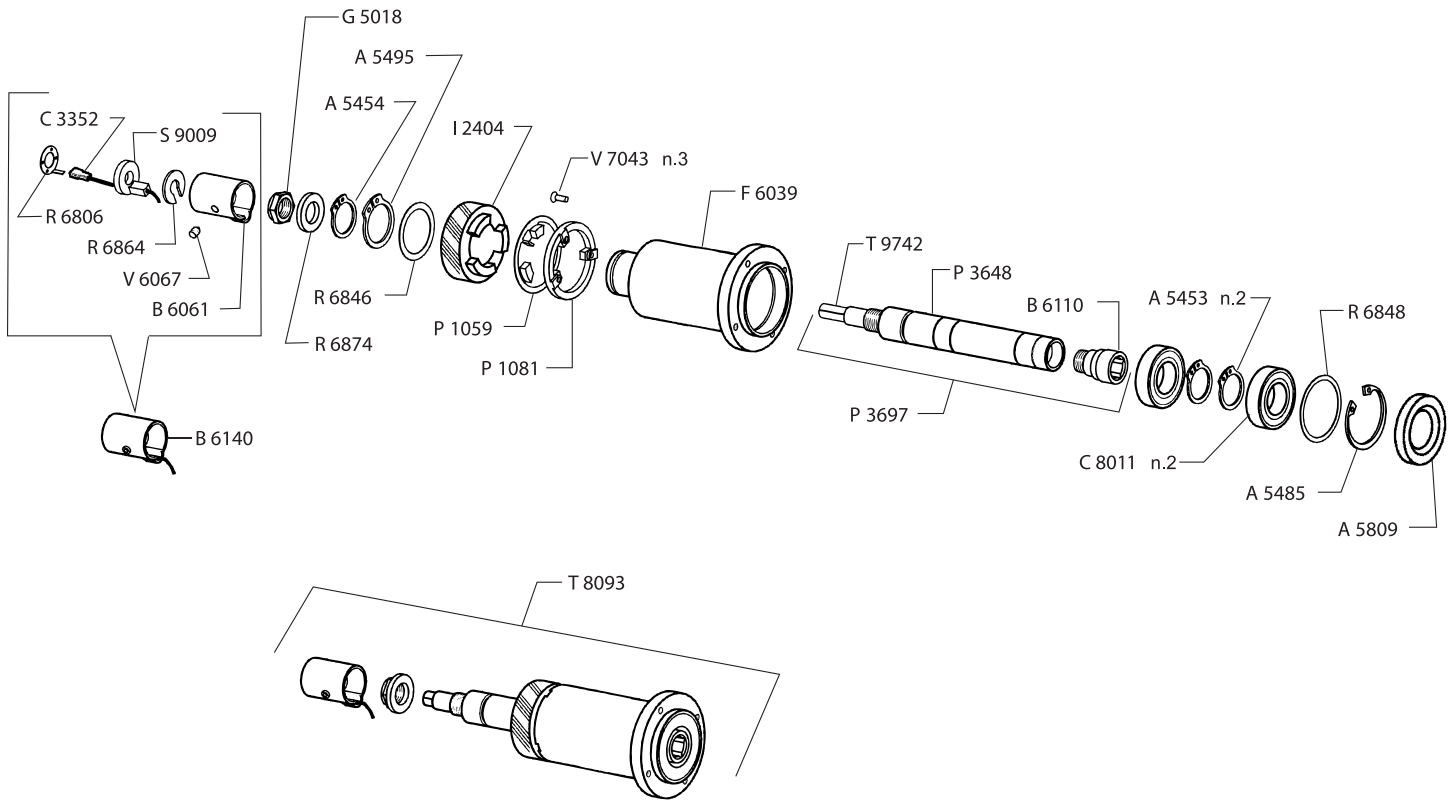
Parts Breakdown

Model MS-IT-0313-H 44006



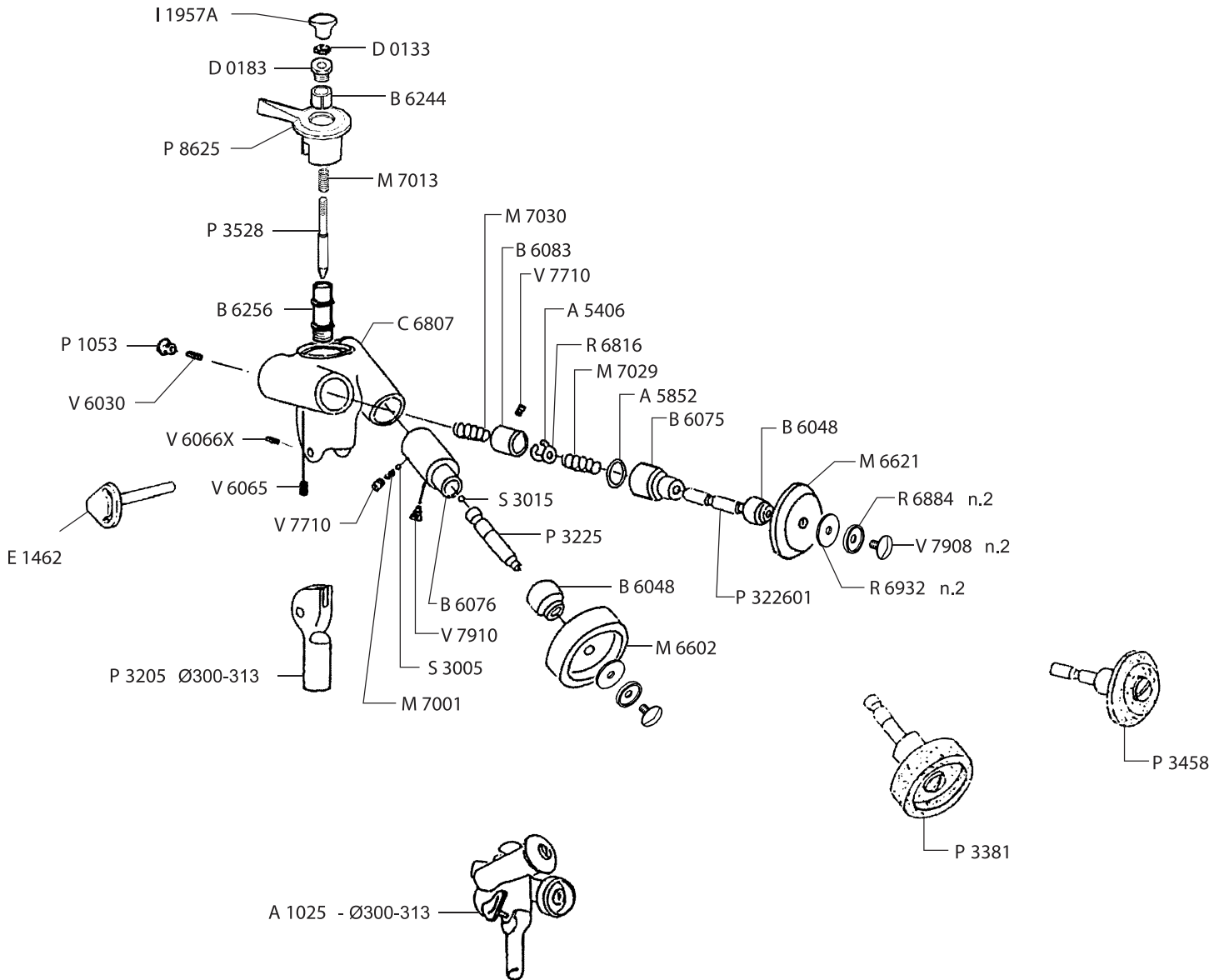
Parts Breakdown

Model MS-IT-0313-H 44006



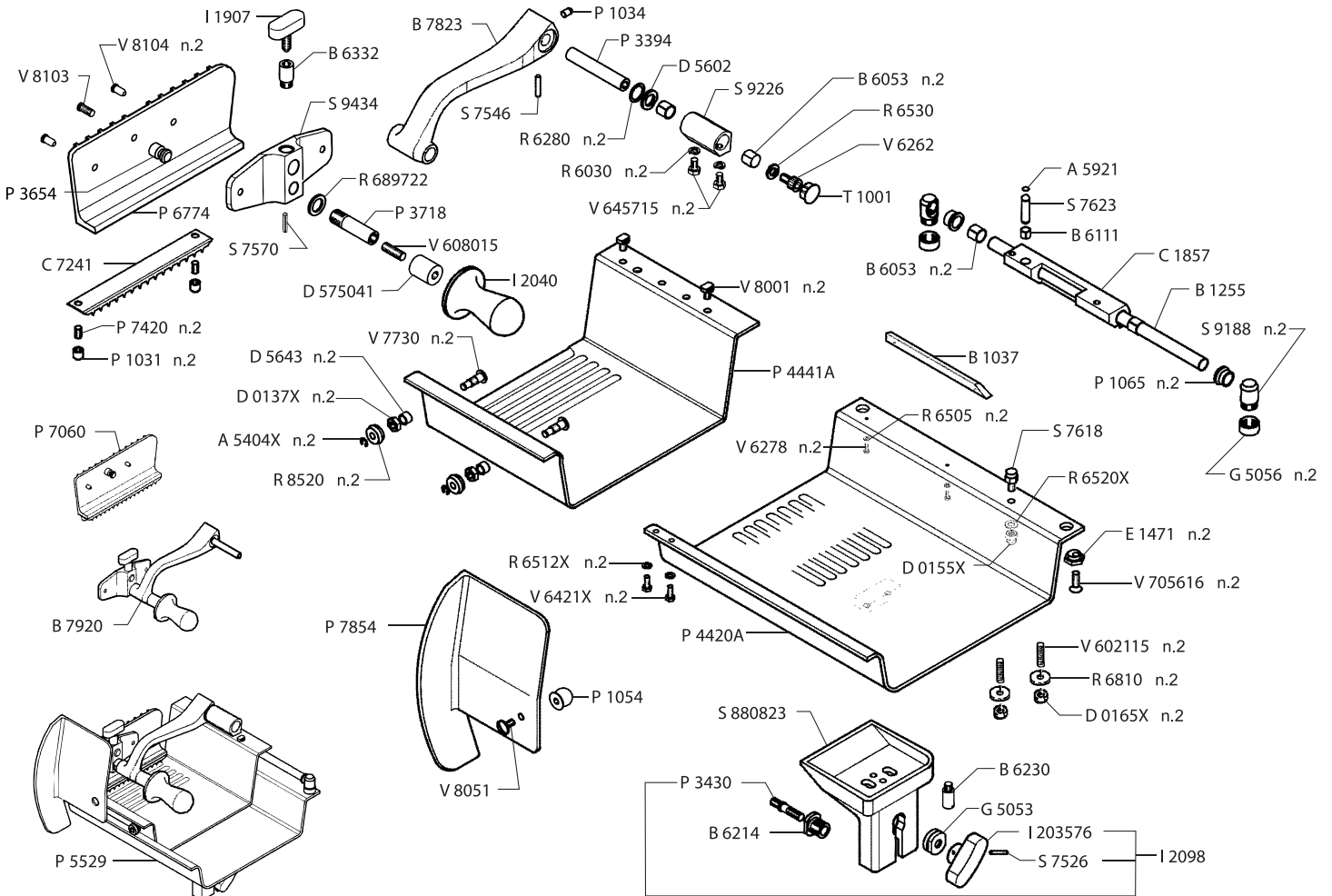
Parts Breakdown

Model MS-IT-0313-H 44006



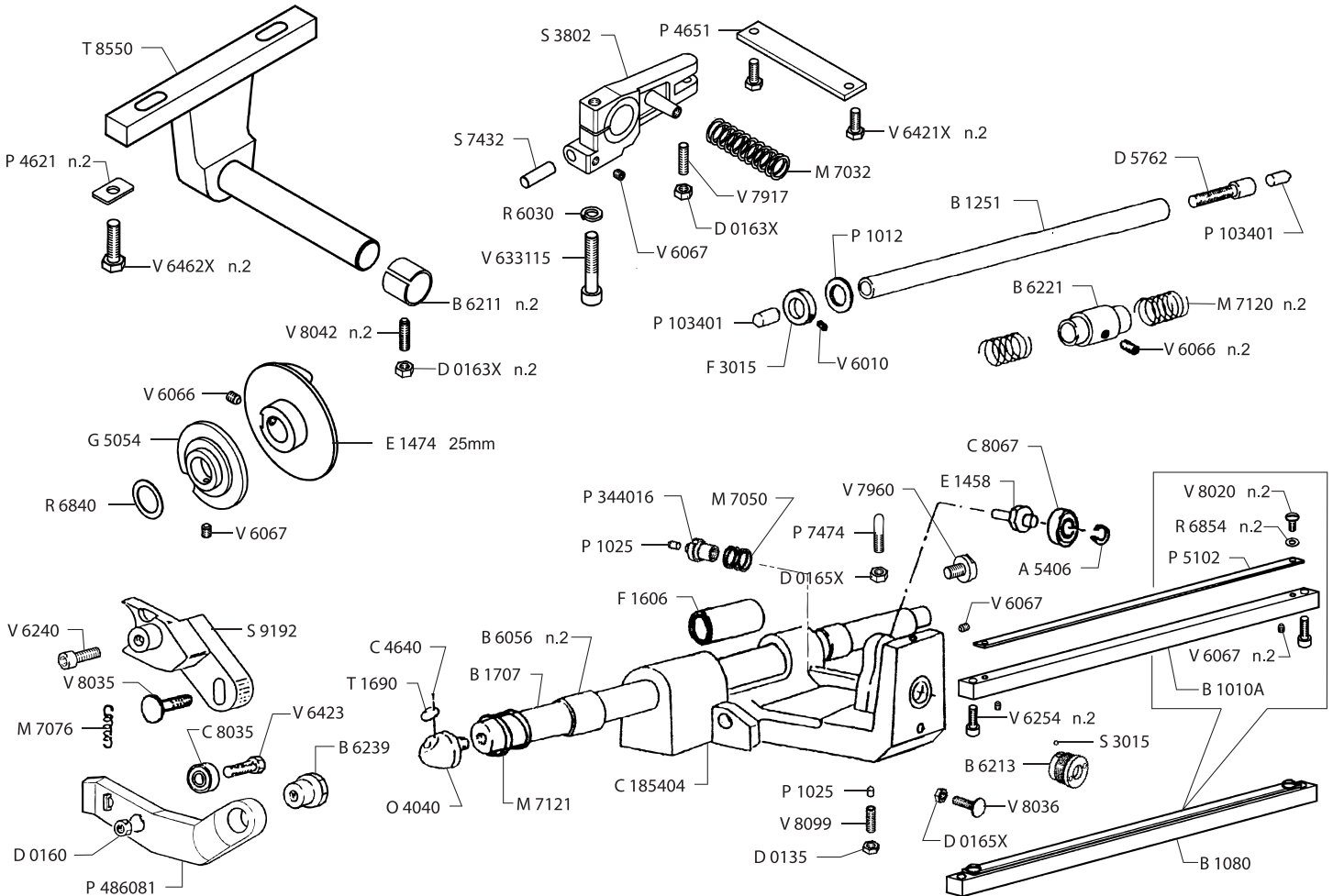
Parts Breakdown

Model MS-IT-0313-H 44006



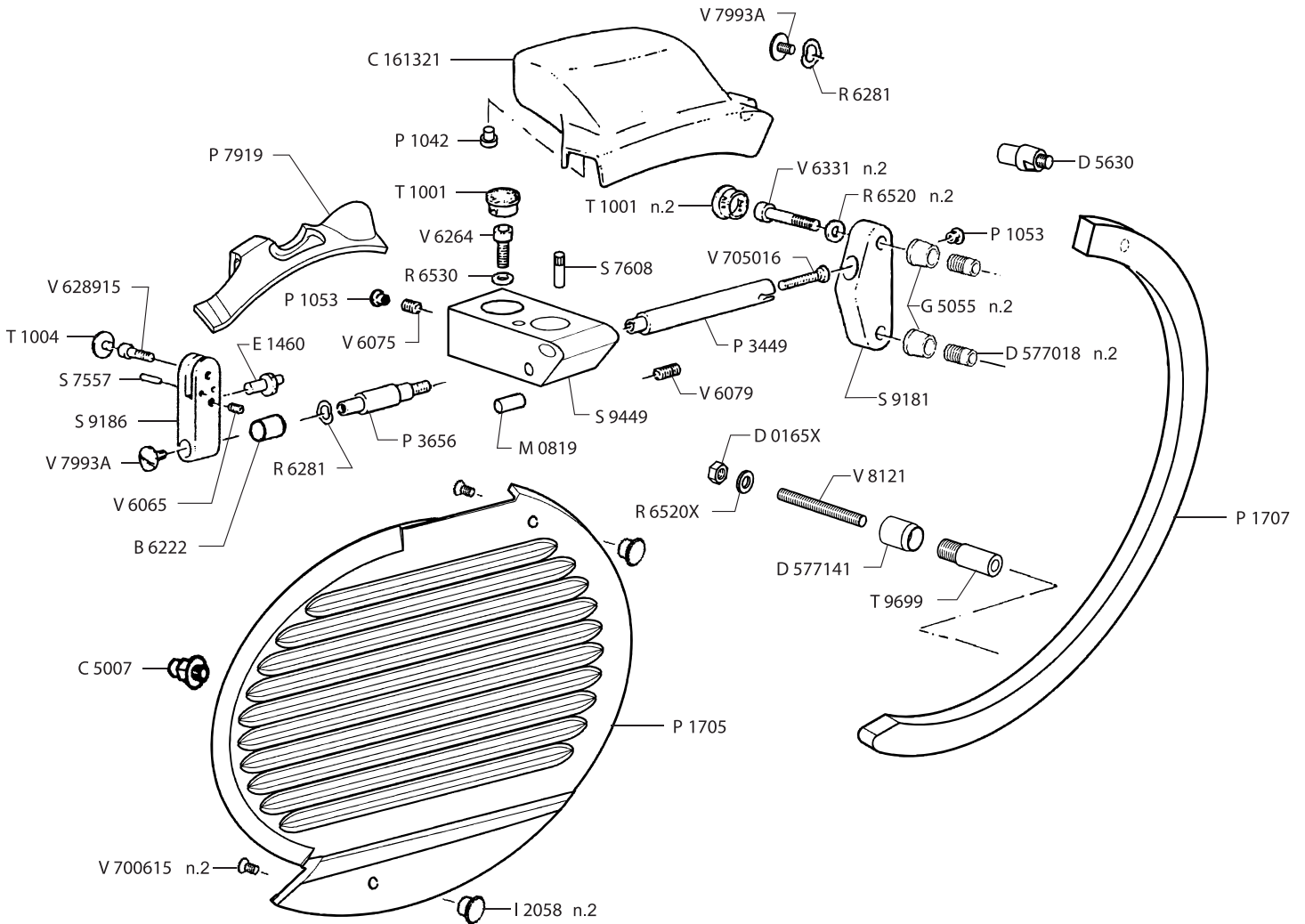
Parts Breakdown

Model MS-IT-0313-H 44006



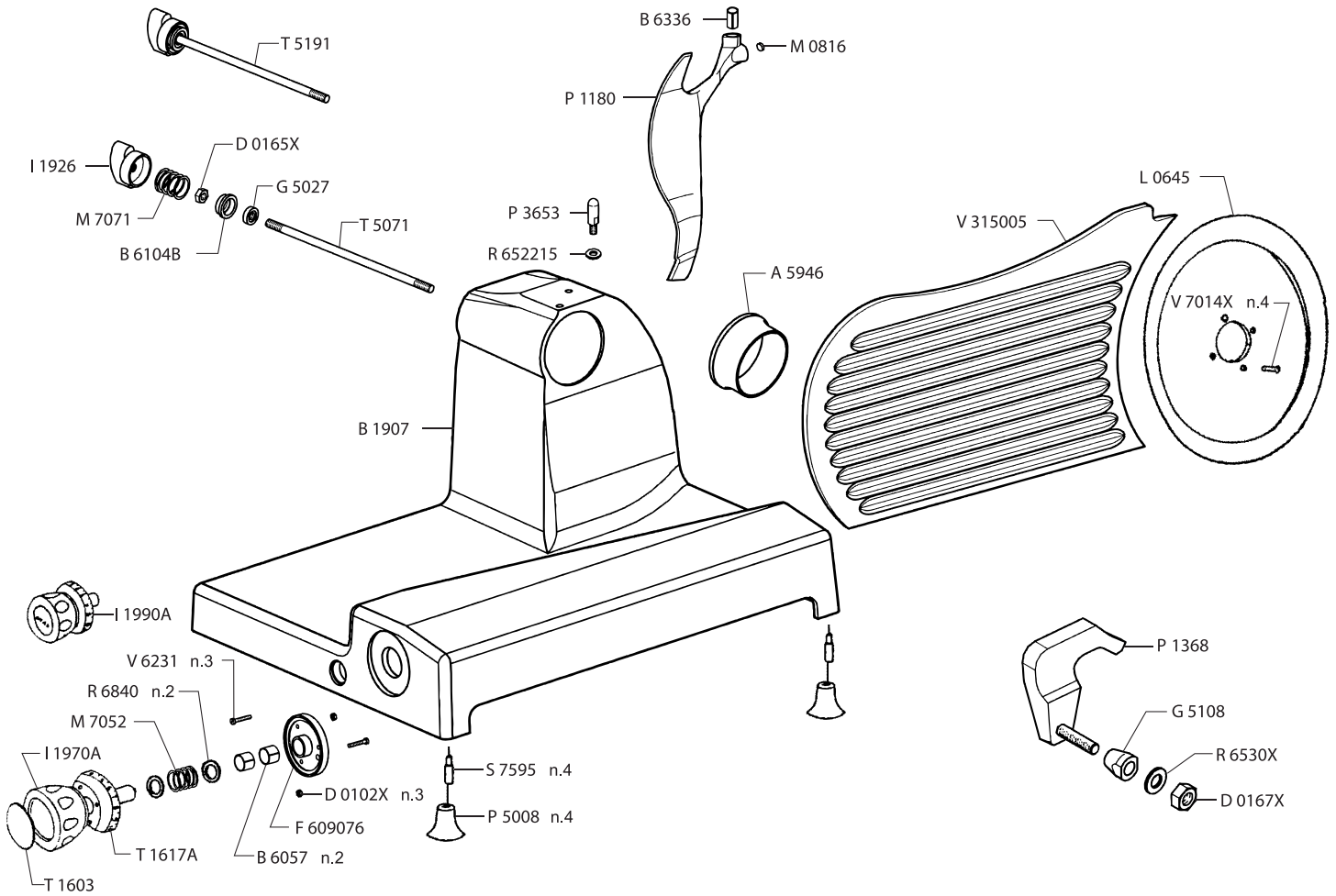
Parts Breakdown

Model MS-IT-0313-H 44006



Parts Breakdown

Model MS-IT-0313-H 44006



Parts Breakdown

Model MS-IT-0313-H 44006

Item No.	Description	Position	Item No.	Description	Position	Item No.	Description	Position
36532	Assy Sharpener for 44006	A1025	36564	Bushing for Carriage Support lg.23mm for 44006	B6214	36630	Bearing 5x16x6.5 for 44006	C8035
36536	Ring EL.Benzing 6 Stainless Steel for 44006	A5404X	36566	Bushing to Hold Carriage Springs for 44006	B6221	36631	Bearing 2RS-6205 25x52x15 for 44006	C8056
16902	Ring EL.Benzing 8 for 44006	A5406	36567	Bushing DU 12x14x25 for 44006	B6222	16926	Bearing 2RS-6000 (10x26x8) for 44006	C8067
17281	Ring EL.Seeger Ext.25 for 44006	A5453	60449	Meat Tray Support Bushing for 44006	B6230	60423	Touch Pad Gasket for 44006	C8242
77585	Ring EL.Seeger Est.25 Ser.Heavy for 44006	A5454	36569	Fixing Lever Bushing for 44006	B6239	19637	Nut M3 for 44006	D0101
19484	Ring 52 for 44006	A5485	17313	Bushing DU 14x15x16 for 44006	B6244	77504	Stainless Steel Nut U5587 M4 for 44006	D0102X
19612	Ring 33 for 44006	A5495	23646	Sharpener Pivot Ferrule for 44006	B6256	77612	Self-Locking Nut M3 UNI7473 for 44006	D0110
17283	Oil Seal 25x52x10 for 44006	A5809	77552	Bushing for Plate for 44006	B6332	16928	Nut U5589 M6 for 44006	D0133
77601	Oil Seal OR 2010 for 44006	A5848	62431	Pusher Arm for 44006	B7823	19639	Nut M8 for 44006	D0135
17287	O-Ring 123 17.86x2.62 for 44006	A5852	36591	Carriage Support for 44006	C185404	36638	Nut U5589 M10 Stainless Steel for 44006	D0137X
77602	O-Ring OR 4500 for 44006	A5857	62414	Carriage Plate for 44006	C1857	19642	Nut M8 for 44006	D0155X
77603	O-Ring 2037 9.25x1.78 for 44006	A5861	77605	Assy Wiring 6 Poles LG.400 for 44006	C3236	36643	Nut U5588 M5 for 44006	D0160
77604	O-Ring 2056 14x1.78 for 44006	A5862	78287	Power Cord 230/50 for 44006	C3290	77613	Normal Nut U5588 M4 for 44006	D0161
77547	Pin Stop Ring for 44006	A5921	79263	Contact Pin for 44006	C3352	36646	Nut U5588 M6 Stainless Steel for 44006	D0163X
77502	Shaft Sealing Ring Ø98x42 for 44006	A5946	36601	Rivet 1.9x5 for 44006	C4640	36647	Nut U5588 M8 for 44006	D0165
17290	Carriage Bar for 44006	B1010A	36607	Blade Cover Bolt Keeper 14x14M for 44006	C5007	36648	Nut U5588 M8 for 44006	D0165X
62419	Tray Rod for 44006	B1037	36608	Capacitor 8 MF 400V for 44006	C5806A	36649	Nut U5588 M10 Stainless Steel for 44006	D0167X
60431	Complete Carriage Rail Assembly for 44006	B1080	16913	Capacitor 14 MF 400V for 44006	C5812	36651	Sharpener Support Nut for 44006	D0183
36548	Shock Absorber Bar 12x170 for 44006	B1251	36609	Capacitor 20 µF 250V for 44006	C5814	19648	Knife Spacer for 44006	D5602
62420	Plate Rod for 44006	B1255	74403	Connector Faston 2Poles Male for 44006	C6010	AN157	Spacer Sharp. Cover for 44006	D5630
16904	Bushing Sharpener for 44006	B6048	77607	Connector BM00219 for 44006	C6023	17341	Spacer D.10.5x14 H.9 for 44006	D5643
16905	Bushing DU 16x18x15 for 44006	B6053	77609	Connettore Spina Monofase 2x16A CEE for 44006	C6081	62433	Spacer Handle Pusher for 44006	D575041
AK403	Bushing DU 25x28x20 for 44006	B6056	77610	Box Cover for P.C. Board for 44006	C6446	36661	Carriage Shock Absorber Spacer for 44006	D5762
17305	Bushing DU 18x20x15 for 44006	B6057	60461	Motor Frontplate for 44006	C6461	36665	Locknut Spacer for 44006	D577018
19514	Bushing Guard A310 for 44006	B6061	60455	Motor Backplate for 44006	C6462	77519	Spacer Eccentrico for 44006	D577141
16906	Bush Sharpening for 44006	B6075	36614	Cover Anter.Motor H (Diam.135) for 44006	C6464	17345	Cam Bearing for 44006	E1458
16907	Bush. Sharpening for 44006	B6076	36615	Back Motor Cover for 44006	C6466	36677	Cam Pin for 44006	E1460
17307	Bushing Sharp. for 44006	B6083	62427	Motor Fan Cover Diam.110 for 44006	C6572	60450	Cam for Sharpener for 44006	E1462
19630	Bushing Fastener for 44006	B6104B	36617	Motor Fan Cover for 44006	C6573	77558	Eccentric for 44006	E1471
78265	Bushing Funnel for 44006	B6110	19534	Housing Sharpener H for 44006	C6807	69701	Black Plastic Cam 25mm for 44006	E1474
77550	Bushing DU 10x12x10 for 44006	B6111	19535	Rack for 44006	C7241	77614	Nylon Cable Tie (Diam.45x200) for 44006	F2815
77588	Bushing Fastener Guard Knife A310 A for 44006	B6140	17334	Bearing 2Z-6205 25x52x15 for 44006	C8011	36682	Unhook Friction Clasp 12x22x8 for 44006	F3015
17312	Bushing 22x25x20 for 44006	B6211	17335	Bear.2RS-6203 17x40x12 for 44006	C8022	77591	Suppor Blade Flange for 44006	F6039
36563	Carriage Bushing for 44006	B6213	16925	Bearing 2RS-6204 20x47x14 for 44006	C8024	17349	Handle Flange for 44006	F609076



Parts Breakdown

Model MS-IT-0313-H 44006

Item No.	Description	Position	Item No.	Description	Position	Item No.	Description	Position
17351	Locknut for 44006	G5018	78283	Screw for 44006	M7132	77511	Pin Deflector for 44006	P3653
36689	Stainless Steel Locknut M8 for 44006	G5027	60464	Motor 120-60 (Tubo Alet.110) for 44006	M8244	77565	Pivot Pusher for 44006	P3654
36691	Ring for Bushing for 44006	G5053	17383	Motor for 44006	M8256	77524	Pin for Protec.Support L35S for 44006	P3656
36692	Ring for Cam for 44006	G5054	19791	Oiler Oil Cap with Screw for 44006	O4040	77594	Assy Driving Pivot for 44006	P3697
36695	Ring Support Cap for 44006	G5055	17388	R.Shock Absorb.12x19x2 for 44006	P1012	36808	Tray for 44006	P4420A
77559	Plate Bar Supp. Ring 250/273 for 44006	G5056	36760	Pin Tray Shock-Absorber for 44006	P1025	19831	Gauge Plate Flat Bar VS for 44006	P4621
62422	Index Locknut M4 2 P1 for 44006	G5063	19796	Plastic Shock for 44006	P1031	19832	Flat Bar for 44006	P4651
36697	Logging Lock Nut for 44006	G5064	17392	PL.Shock Absorb.8.5x20 for 44006	P1034	77537	Ecc. Locking Plate for 44006	P486081
AN158	Support Locknut for Ext. Knife Cove for 44006	G5108	36761	Shock Absorber for 44006	P103401	60469	Motor Straight Bracket for 44006	P4869
77615	Assy P.C.B. for 44006	I1675	19797	Nylon Shock 8.5x8 for 44006	P1042	60458	Motor L-Bracket for 44006	P4956
17352	Touch Pad-Start/Stop Push Button for 44006	I1680	36762	Rubber Plug for 44006	P1053	16961	Foot for 44006	P5008
19580	Handle TS8 for 44006	I1907	77562	Shock Absorber for 44006	P1054	65632	Sliding Bearing Flat for 44006	P5102
17356	Fastener Handle for 44006	I1926	16955	Shock Absorber for 44006	P1059	19655	Meat Grip Stud for 44006	P7420
19587	Sharpener Knob for 44006	I1957A	77563	Shock Absorber for 44006	P1065	60424	Touch Pad Screw for 44006	P7447
36705	Adjustment Knob for 44006	I1970A	17395	Shock Absorber for 44006	P1081	77539	Stud Plate M8x25x35 for 44006	P7474
36708	Assy Index Knob for 44006	I1990A	AN159	Deflector for 44006	P1180	36854	Thumb Protection for 44006	P7854
18220	Knob-Handling for 44006	I203576	AN160	Slice Deflector for 44006	P1368	77525	Mobile Protection for 44006	P7919
17363	End Grip Handle for 44006	I2040	61616	Cover Blade for 44006	P1705	78282	Lock Washer for 44006	P8620
36714	Blade Cover Handling for 44006	I2058	AN161	Coverblade Esterno for 44006	P1707	24030	Sharpener Operating Handle for 44006	P8625
36717	Knob Assy for 44006	I2098	77616	Strain Relief for 44006	P2004	78284	Bracket for 44006	P8626
69728	315mm Blade 100CR6 W1.2067 for 44006	L0645	77617	Strain Relief for 44006	P2009	19657	Washer 4 for 44006	R6003
79268	Magnete MFD 020 004 010 for 44006	M0816	60421	Electrical Conduit for 44006	P2011	19659	Washer 8 for 44006	R6006
77520	Magnet Ø8x25 for 44006	M0819	36778	Wire-Press for 44006	P2014	19661	Washer 8 for 44006	R6030
14787	Grinding Sharpening Stone 48x15x14.3 for 44006	M6602	36779	Core-Hitch+Nut for 44006	P2015	78258	Washer 30.5x46.5x0.6 for 44006	R6251
21644	F Stone 51x7x14.3 for 44006	M6621	36780	Wire Pusher for 44006	P2017	19665	Washer for 44006	R6260
36741	Spring 2.9x4x12 Stainless Steel for 44006	M7001	19811	Pin Sharpener for 44006	P3205	19666	Washer for 44006	R6280
17377	Spring 8.5x1.0x25 Stainless Steel for 44006	M7013	16959	Pin Grinding for 44006	P3225	19667	Washer 12x17x2 for 44006	R6281
17379	Spring 11.9x0.7x27 Stainless Steel for 44006	M7029	17419	Pin Truing for 44006	P322601	36880	Washer U6592 3 for 44006	R6504
17380	Spring 13.4x1.3x30 Stainless Steel for 44006	M7030	17427	Assy Grinding Stone & Pin for 44006	P3381	17455	Washer U6592 4 for 44006	R6505
19776	Spring 14x1.5x60 for 44006	M7032	19825	Pin Support Meat Grip for 44006	P3394	77618	Washer U6592 4 Stainless Steel for 44006	R650515
19782	Spring 19.5x1.5x16.7 for 44006	M7050	36793	Pin.Handle for 44006	P3430	36881	Washer U6593 5 (5.5x15x1.2) for 44006	R6507
17381	Spring 22 5x1 8x18 for 44006	M7052	62428	Lock Plate Pivot for 44006	P344016	17457	Washer U6592 6 Stainless Steel for 44006	R6512X
19250	Spring 24.8x1.8x15 for 44006	M7071	62430	Pivot Supporto Anello Paralama for 44006	P3449	16968	Washer U65928 for 44006	R6520
36746	Spring 7x0.8x23 Cam for 44006	M7076	17426	Assy Honing Stone Pivot for 44006	P3458	36884	Washer U6592 8 Stainless Steel for 44006	R6520X
19248	Spring 15.6x20x2.2 for 44006	M7120	23645	Sharpener Pivot for 44006	P3528	77512	Washer 8.5x18x2 for 44006	R652215
36749	Carriage Bar Spring 25-28-1.5 for 44006	M7121	79272	Knife Shaft for 44006	P3648	19668	Washer 10 for 44006	R6530

Parts Breakdown

Model MS-IT-0313-H 44006

Item No.	Description	Position	Item No.	Description	Position	Item No.	Description	Position
36885	Washer U6592 10 Stainless Steel for 44006	R6530X	77597	Washer Bracket A310 for 44006	S9009	79285	Screw STEI U5923 M10x30 Inox for 44006	V608015
17458	Contact Washer for 44006	R6806	62412	Blade Ring Guard Support for 44006	S9181	19697	Screw M5x16 for 44006	V6211
36888	Washer 8x24x2 for 44006	R6810	36965	Protection Support for 44006	S9186	19699	Screw M4x25 for 44006	V6231
36889	Washer 10.5x16x1 for 44006	R6816	77572	Bracket for Plate Rod for 44006	S9188	19700	Screw M6x16 for 44006	V6240
16969	Washer 18.2x25x0.5 for 44006	R6840	19181	Bracket Support for 44006	S9192	77598	Stainless Steel Screw TCEI U5931 M6x20 for 44006	V6245X
17460	Washer 34.2x46x0.5 for 44006	R6846	24158	Pusher Rod Support for 44006	S9226	37042	Screw TCEI U5931 M8x25 for 44006	V6254
19674	Washer 44.5x51.5x0.2 for 44006	R6848	60422	Touch Pad Back Casing for 44006	S9236	19704	Screw M10x16 for 44006	V6262
77540	Washer 6.2x14x0.6 for 44006	R6854	77574	Hand Grip Support for 44006	S9434	77530	Screw TCEI U5931 M10x30 for 44006	V6264
77596	Switch Washer A310 for 44006	R6864	79619	Sharpener Holder for 44006	S9449	19706	Screw for 44006	V6278
36892	Washer 17x30x4 for 44006	R6874	19877	Rubber Cap for 44006	T1001	37050	Screw TC Aut.D7971 4.2x9 for 44006	V6285
16972	Washer 5.5x19x2.5 for 44006	R6884	36981	Rubber Cap for 44006	T1004	77531	Screw TCEI U5931 M6x14 Inox for 44006	V628915
36897	Special Washer 5.5x22x1.5 for 44006	R6932	19879	Label for 44006	T1603	77599	Screw TC TC Aut.D7981 4.2x16 for 44006	V6292
60460	Rotor Kg.1.80 Each for 44006	R8019	36985	Label Plate for 44006	T1617A	77629	Screw TBTC Aut.U6954 4.2x13 for 44006	V6296
78261	Rotor Stator H.50 for 44006	R8021	19883	Label Oil for 44006	T1690	77600	Screw TBTC Aut.U6954 3.9x32 for 44006	V6297
16973	Plate Wheel D.25x9.5 for 44006	R8520	77628	Switch Overlay for 44006	T1760	19913	Screw M8x45 for 44006	V6331
77620	Control Box for P.C.B. for 44006	S100481	62438	Blade Cover Fastener for 44006	T5071	77545	Stainless Steel Screw TCEI U5931 M8x45 for 44006	V633115
19680	Ball 3 17 for 44006	S3005	60456	Motor Fastener for 44006	T5157	77630	Stainless Steel Screw TCEI U5931 M4x12 for 44006	V634415
17465	Ball 4.76 for 44006	S3015	42974	Tie Rod for 44006	T5191	37058	Stainless Steel Screw M4x8 for 44006	V6370
77622	P.C.B. 230-50 for 44006	S3221	79280	Knife Shaft Assy for 44006	T8093	37059	Stainless Steel Screw M4x14 for 44006	V6371
77624	P.C. Board 230-50 for 44006	S3227	AN163	Traversino for 44006	T8550	66387	Screw TE U5737 M6x15 Stainless Steel for 44006	V6421X
77626	P.C.B. 230V/50Hz for 44006	S3269	62439	Blade Support Shaft for 44006	T9699	37067	Screw TE U5739 M5x20 for 44006	V6423
77541	Index Arm for 44006	S3802	79283	Shaft Pin for 44006	T9742	77578	Stainless Steel Screw TE U5739 M8x14 for 44006	V645715
77542	Cylindrical Pin U1707 8x35 Stainless Steel for 44006	S7432	AN164	Gauge Plate Alluminio for 44006	V315005	37074	Screw TE U5739 M8x30 Stainless Steel for 44006	V6462X
36920	Pin 4x25 for 44006	S7526	60454	Fan INT90 for 44006	V4005	37077	Screw TSP U6109 M4x6 Inox for 44006	V700615
36924	Pin M.E.U6875 6x30 for 44006	S7546	37013	Motor Fan MEC80 148x16 for 44006	V4014	17497	Screw TSP U6109 M5x15 Stainless Steel for 44006	V7014X
36926	Pin U7586 3x18 for 44006	S7557	37018	Screw STTC U6113 M6x6 for 44006	V6010	17498	Screw TSPEI U5933 M4x10 for 44006	V7043
77569	Pin U7586 6x30 for 44006	S7570	26127	Stud C Model for 44006	V602115	37083	Locking Screw-Support for 44006	V705016
17476	Foot Support Pin D.10 M8 L.37 for 44006	S7595	37021	Screw for 44006	V6030	19713	Screw Sharpener for 44006	V7710
77526	Pin Ø8x23 for 44006	S7608	37023	Screw STEI U5929 M5x5 for 44006	V6065	37091	Screw H for 44006	V7730
77570	Lock Pin for Carr. Plate Rotation for 44006	S7618	19691	Grub Screw M6x6 for 44006	V6066	17503	Screw M5x13 for 44006	V7908
77571	Lock Pin Pusher Arm for 44006	S7623	37024	Screw STEI U5929 M6x6 for 44006	V6066X	19715	Screw Sharpener for 44006	V7910
60468	Statore 120-60 (Tubo Alettato) for 44006	S8561	19692	Screw M6x8 for 44006	V6067	19717	Screw M6x50 for 44006	V7917
19870	Stator 120/60 for 44006	S8562	19694	Screw M8x10 for 44006	V6075	19917	Screw BS for 44006	V7960
AN162	Support Plate for 44006	S880823	37029	Screw STEI U5929 M8x20 for 44006	V6079	37095	Screw for Rod 6x13 for 44006	V7993A

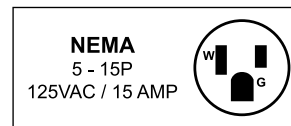
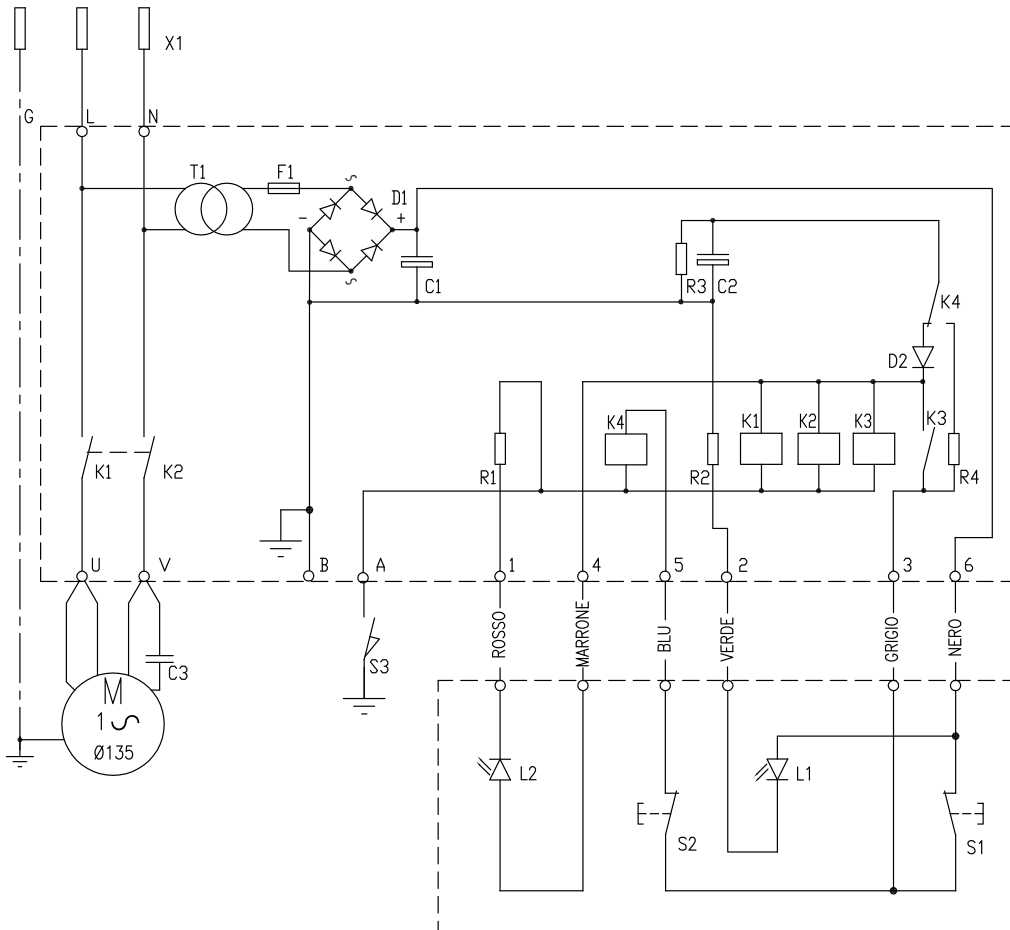
Parts Breakdown

Model MS-IT-0313-H 44006

Item No.	Description	Position	Item No.	Description	Position	Item No.	Description	Position
19724	Screw H for 44006	V8001	37104	Threaded Stud for 44006	V8042	77582	Special Screw Ø8x15 for 44006	V8104
16987	Special Screw M6x15 for 44006	V8020	77580	Stainless Steel Screw M8x16 for 44006	V8051	77532	Special Screw M8x40 for 44006	V8121
37102	Screw M6x20 for 44006	V8035	37113	Screw for Carr. Index M8x25 for 44006	V8099			
19920	Screw M8x30 for 44006	V8036	77581	Special Screw M10x18 for 44006	V8103			

Electrical Schematics

Model MS-IT-0313-H 44006



Position	Description	Position	Description	Position	Description
X1	Spina	C1	Capacitor 220uF	K1	Power Relay
T1	Transformer	C2	Capacitor 100uF	K2	Power Relay
F1	Fuse 500mA	C3	Capacitor 20uF	K3	Command Relay
D1	Straightener 1A	R1	Resistance 1k	K4	Command Relay
D2	Protective Diode	R2	Resistance 1k	S1	Stop Button
L1	LED Orange Line	R3	Resistance 10k	S2	Start Button
L2	LED Green March	R4	Resistance 47 Hom	S3	Blade Guard Disc Protection



Warranty Registration

Thank you for purchasing an Omcan product. To register your warranty for this product, complete the information below, tear off the card at the perforation and then send to the address specified below. You can also register online by visiting:

Merci d'avoir acheté un produit Omcan. Pour enregistrer votre garantie pour ce produit, complétez les informations ci-dessous, détachez la carte au niveau de la perforation, puis l'envoyer à l'adresse spécifiée ci-dessous. Vous pouvez également vous inscrire en ligne en visitant:

Gracias por comprar un producto Omcan usted. Para registrar su garantía para este producto, complete la información a continuación, cortar la tarjeta en la perforación y luego enviarlo a la dirección indicada a continuación. También puede registrarse en línea en:

<https://omcan.com/warranty-registration/>

For mailing in Canada

Pour postale au Canada

Por correo en Canadá

OMCAN

PRODUCT WARRANTY REGISTRATION

3115 Pepper Mill Court,

Mississauga, Ontario

Canada, L5L 4X5

For mailing in the US

Pour diffusion aux États-Unis

Por correo en los EE.UU.

OMCAN

PRODUCT WARRANTY REGISTRATION

4450 Witmer Industrial Estates, Unit 4,

Niagara Falls, New York

USA, 14305

or email to: service@omcan.com



Purchaser's Information

Name: _____

Address: _____

City: _____ Province or State: _____ Postal or Zip: _____

Country: _____

Dealer from which Purchased: _____

Dealer City: _____ Dealer Province or State: _____

Invoice: _____

Model Name: _____ Model Number: _____

Machine Description: _____

Date of Purchase (MM/DD/YYYY): _____

Would you like to extend the warranty? Yes No

Company Name: _____

Telephone: _____

Email Address: _____

Type of Company:

Restaurant Bakery Deli

Butcher Supermarket Caterer

Institution (*specify*): _____

Other (*specify*): _____

Serial Number: _____

Date of Installation (MM/DD/YYYY): _____

Thank you for choosing Omcan | Merci d'avoir choisi Omcan | Gracias por elegir Omcan



Since 1951 Omcan has grown to become a leading distributor of equipment and supplies to the North American food service industry. Our success over these many years can be attributed to our commitment to strengthen and develop new and existing relationships with our valued customers and manufacturers. Today with partners in North America, Europe, Asia and South America, we continually work to improve and grow the company. We strive to offer customers exceptional value through our qualified local sales and service representatives who provide convenient access to over 6,500 globally sourced products.

Depuis 1951 Omcan a grandi pour devenir un des “leaders” de la distribution des équipements et matériel pour l’industrie des services alimentaires en Amérique du Nord. Notre succès au cours de ces nombreuses années peut être attribué à notre engagement à renforcer et à développer de nouvelles et existantes relations avec nos clients et les fabricants de valeur. Aujourd’hui avec des partenaires en Amérique du Nord, Europe, Asie et Amérique du Sud, nous travaillons continuellement à améliorer et développer l’entreprise. Nous nous efforçons d’offrir à nos clients une valeur exceptionnelle grâce à nos ventes locales qualifiées et des représentants de service qui offrent un accès facile à plus de 6500 produits provenant du monde entier.

Desde 1951 Omcan ha crecido hasta convertirse en un líder en la distribución de equipos y suministros de alimentos en América del Norte industria de servicios. Nuestro éxito en estos años se puede atribuir a nuestro compromiso de fortalecer y desarrollar nuevas relaciones existentes con nuestros valiosos clientes y fabricantes. Hoy con socios de América del Norte, Europa, Asia y América del Sur, que trabajan continuamente para mejorar y crecer la empresa. Nos esforzamos por ofrecer a nuestros clientes valor excepcional a través de nuestro local de ventas y representantes de los servicios que proporcionan un fácil acceso a más de 6,500 productos con origen a nivel mundial.

