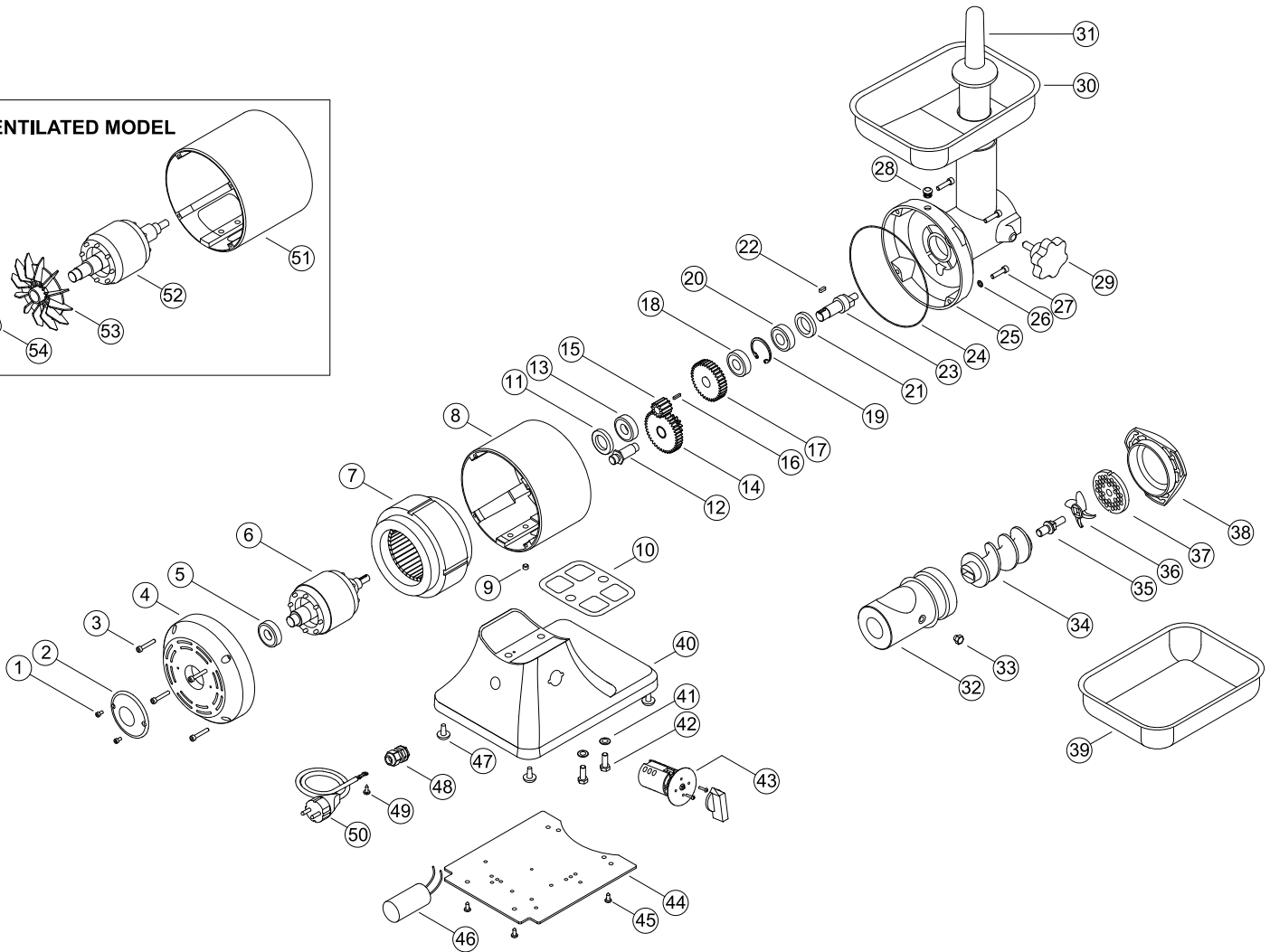
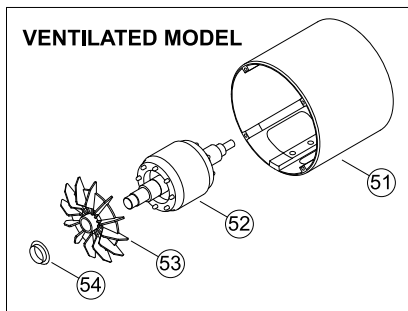


PARTS BREAKDOWN

ITEM	MODEL
11051	MG-IT-0012-C



PARTS BREAKDOWN

ITEM	MODEL
11051	MG-IT-0012-C

Item No.	Description	Position	Item No.	Description	Position	Item No.	Description	Position
15351	Screw 4x8 for 11051	1	15394	Seeger of 40 for 11051	19	15406	Aluminum Ring for 11051	38
15352	Disc Locking ABS DA 80mm for 11051	2	15389	Bearing 6203 2RS for 11051	20	15362	Pan for 11051	39
68910	Aluminum Closing Disc 80mm for 11051	2	15387	Oil Seal 40x25x7 for 11051	21	15408	Base for 11051	40
15353	Screw 5x30 for 11051	3	46421	Key 4x4x12mm for Big Gear for 11051	22	70181	Washer 8x16x1.5 (4 pcs.) for 11051	41
15380	Back Motor Cover for 11051	4	15395	Transmission Pin for 11051	23	15410	Screw 8x22 for 11051	42
15381	Bearing 6203 ZZ for 11051	5	15458	Ring 164 5x2 - Oil Seal for 11051	24	17701	Switch - 4 pins for 11051	43
15383	Rotor V.110/60 for 11051	6	15396	Jacket Holder for 11051	25	19378	Bipolar Switch - 12 pins for 11051	43
15468	Stator 110V/60Hz for 11051	7	15459	Washer for 11051	26	15411	Rubber Base Cover for 11051	44
AI208	Short Banded Motor Housing for 11051	8	15397	Screw 6x25 for 11051	27	15412	Screw 4 8x12 for 11051	45
AD423	Wheat 8x6 for 11051	9	15398	Plug for Oil Opening (Rubber) for 11051	28	15413	Capacitor for 11051	46
15460	Base Guard for 11051	10	15401	Knob for 11051	29	42904	Rubber Foot for 11051	47
15387	Oil Seal 40x25x7 for 11051	11	15399	Hopper for 11051	30	15407	Grand PG11 for 11051	48
15447	Gear Pin for 11051	12	15400	Plunger for 11051	31	15351	Screw 4x8 for 11051	49
15389	Bearing 6203 2RS for 11051	13	17233	Cast Iron Jacket Holder (Grub Screw Included) for 11051	32	70168	Cable with Plug Mod.Schuko V.230 for 11051	50
15392	Double Gear for 11051	14	15402	Grub Screw for 11051	33	AI209	Long Banded Motor Housing for 11051	51
15390	Propeller Gear for 11051	15	15404	Worm and Pin for 11051	34	AI210	Shaft with Rotor V.230/50 Hz. Ventilated for 11051	52
15391	Key 3x3x15mm for 11051	16	17235	Worm Pin Stainless Steel for 11051	35	15415	Fan for 11051	53
15393	Gear for 11051	17	Call for Options	Blade for 11051	36	15414	Ring for 11051	54
15381	Bearing 6203 ZZ for 11051	18	Call for Options	Plate for 11051	37			