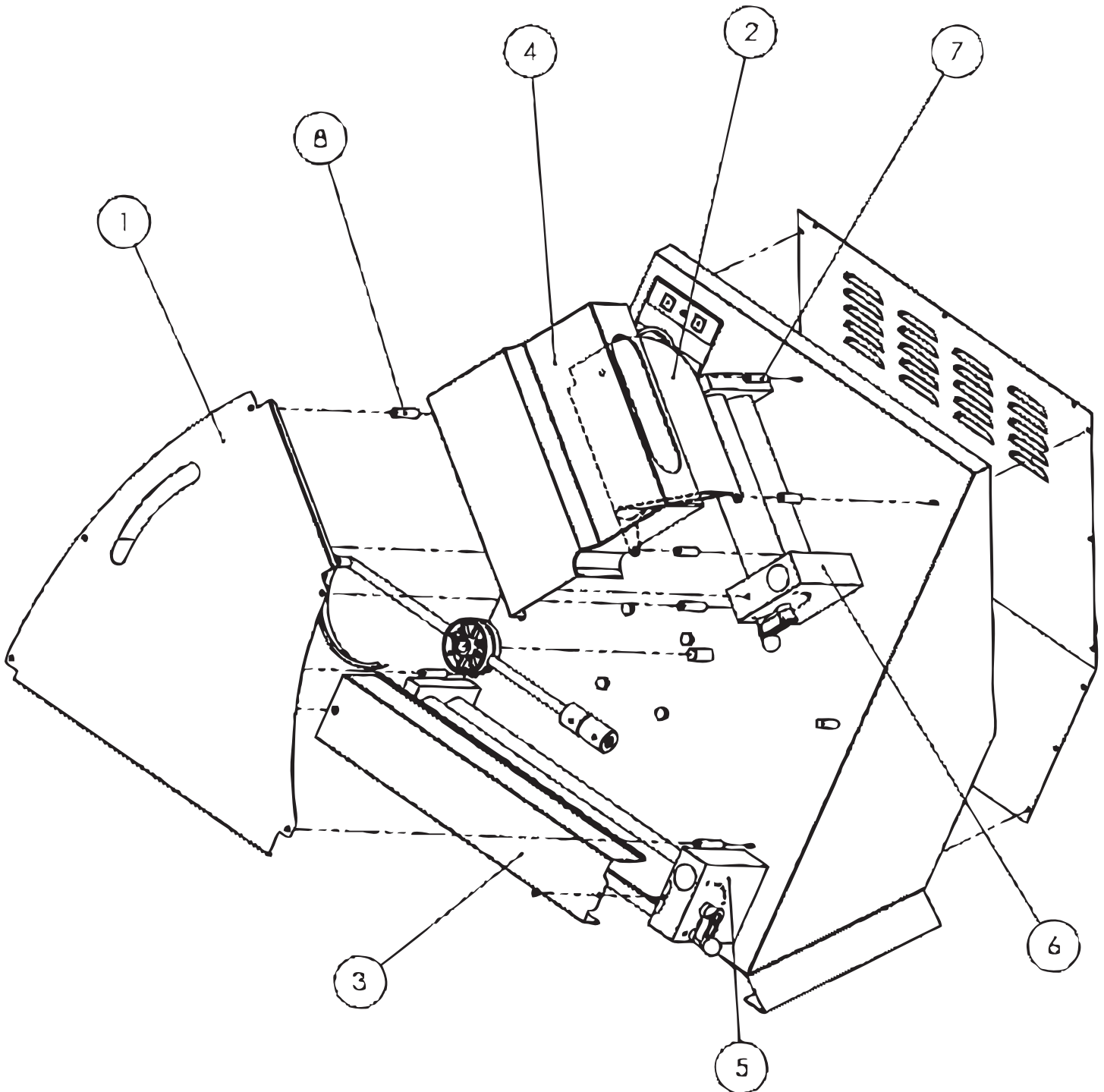


Parts Breakdown

Model BE-IT-0406 13177

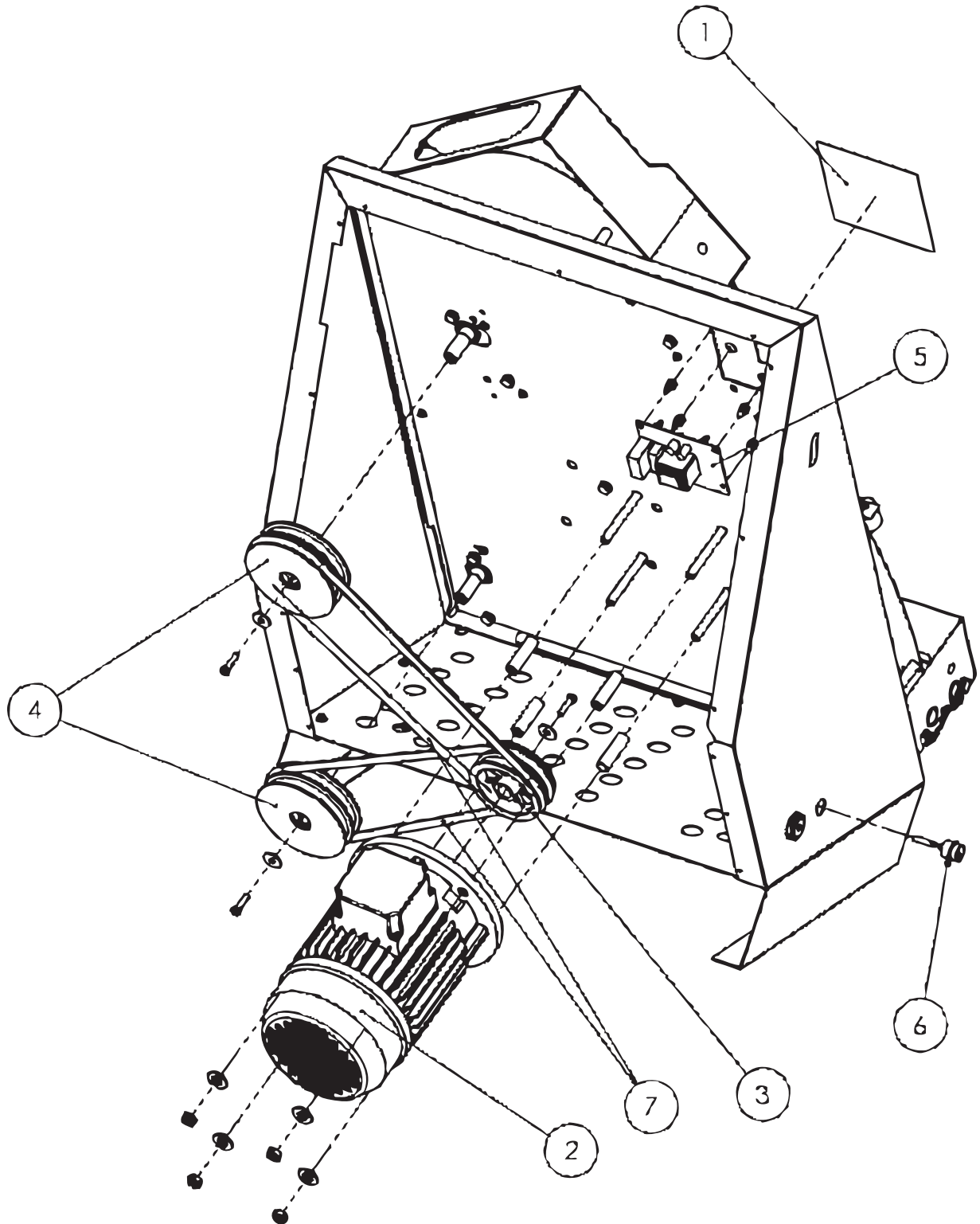
Roll Machine



Parts Breakdown

Model **BE-IT-0406** 13177

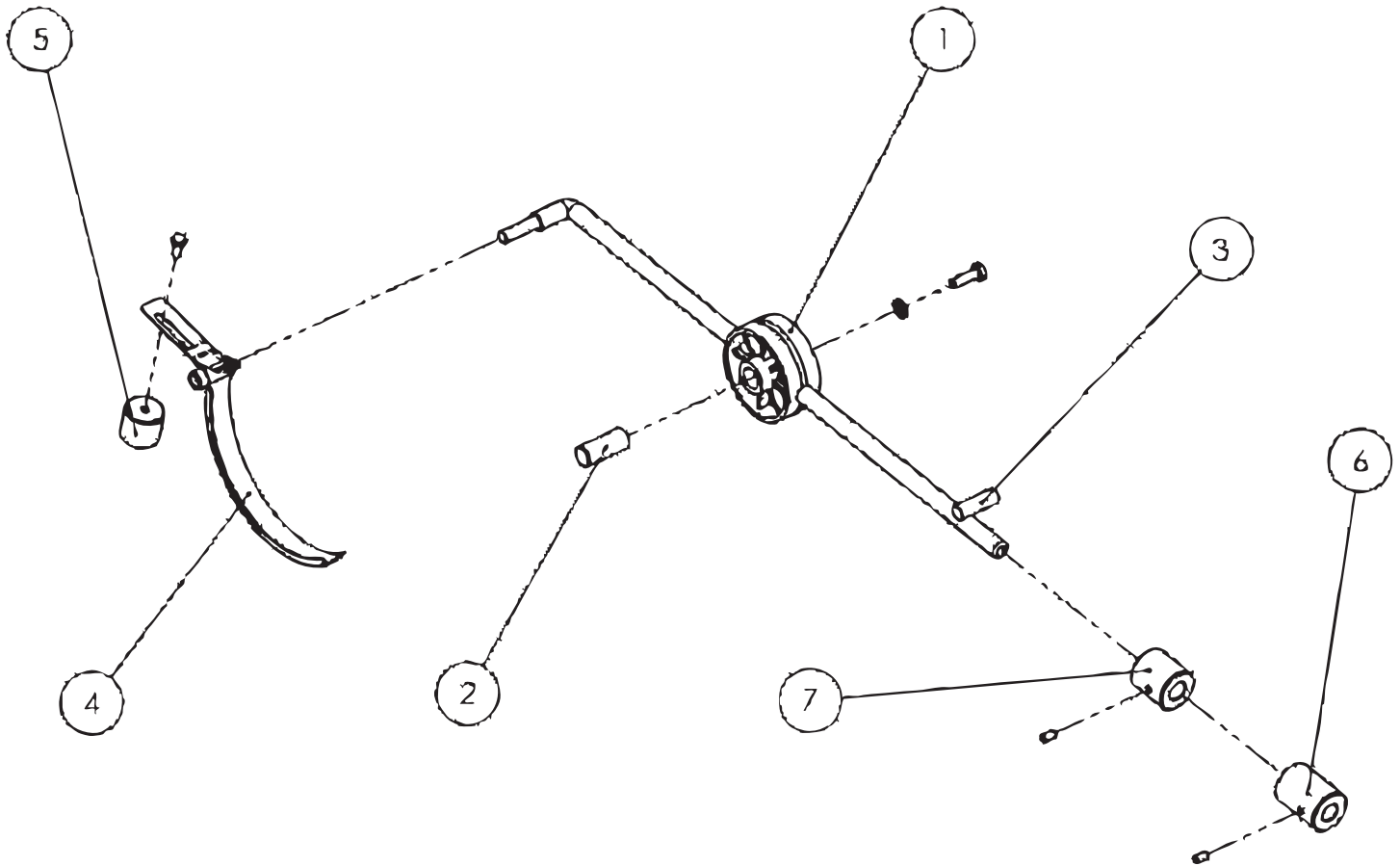
Motor



Parts Breakdown

Model **BE-IT-0406** 13177

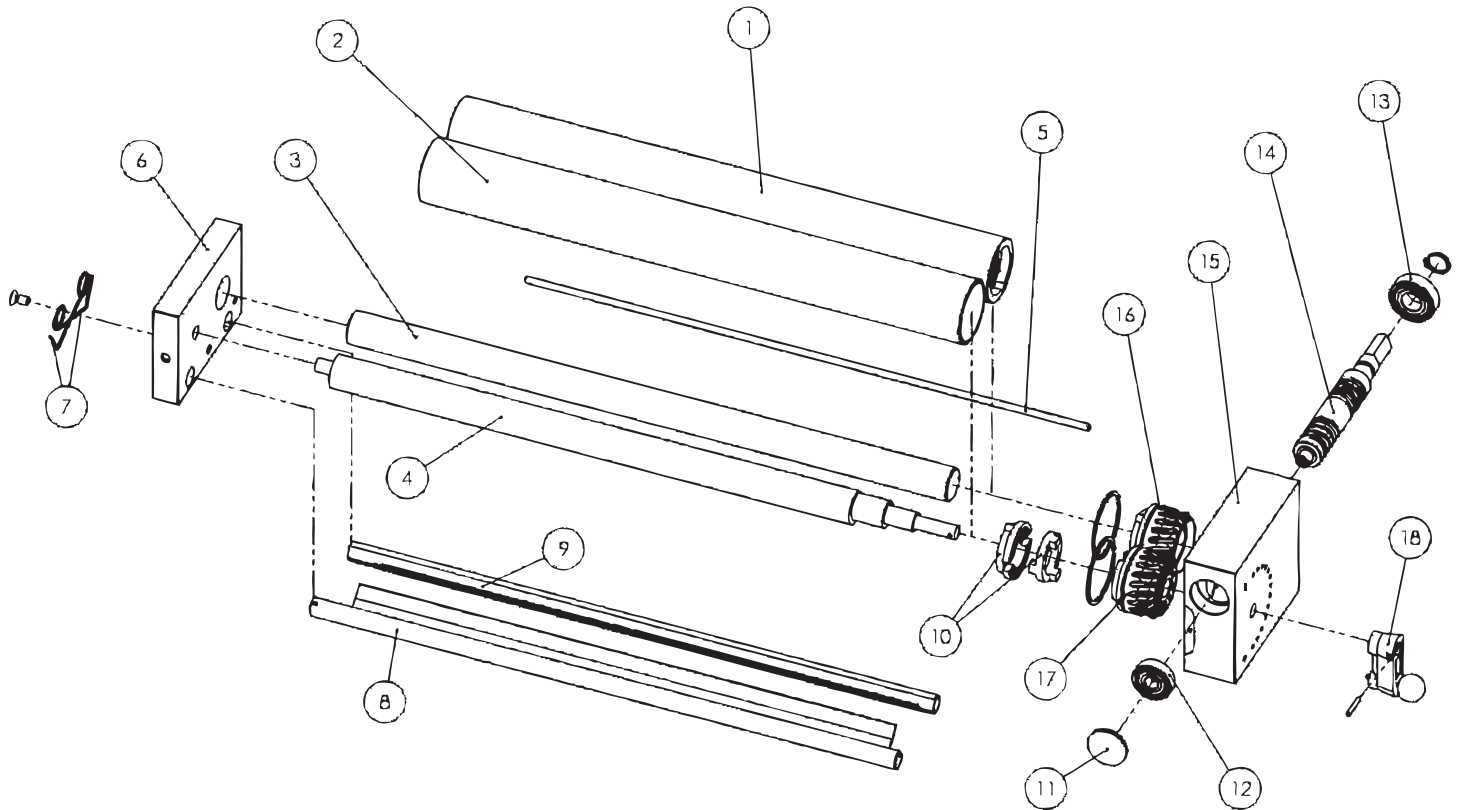
Scale Group



Parts Breakdown

Model **BE-IT-0406** 13177

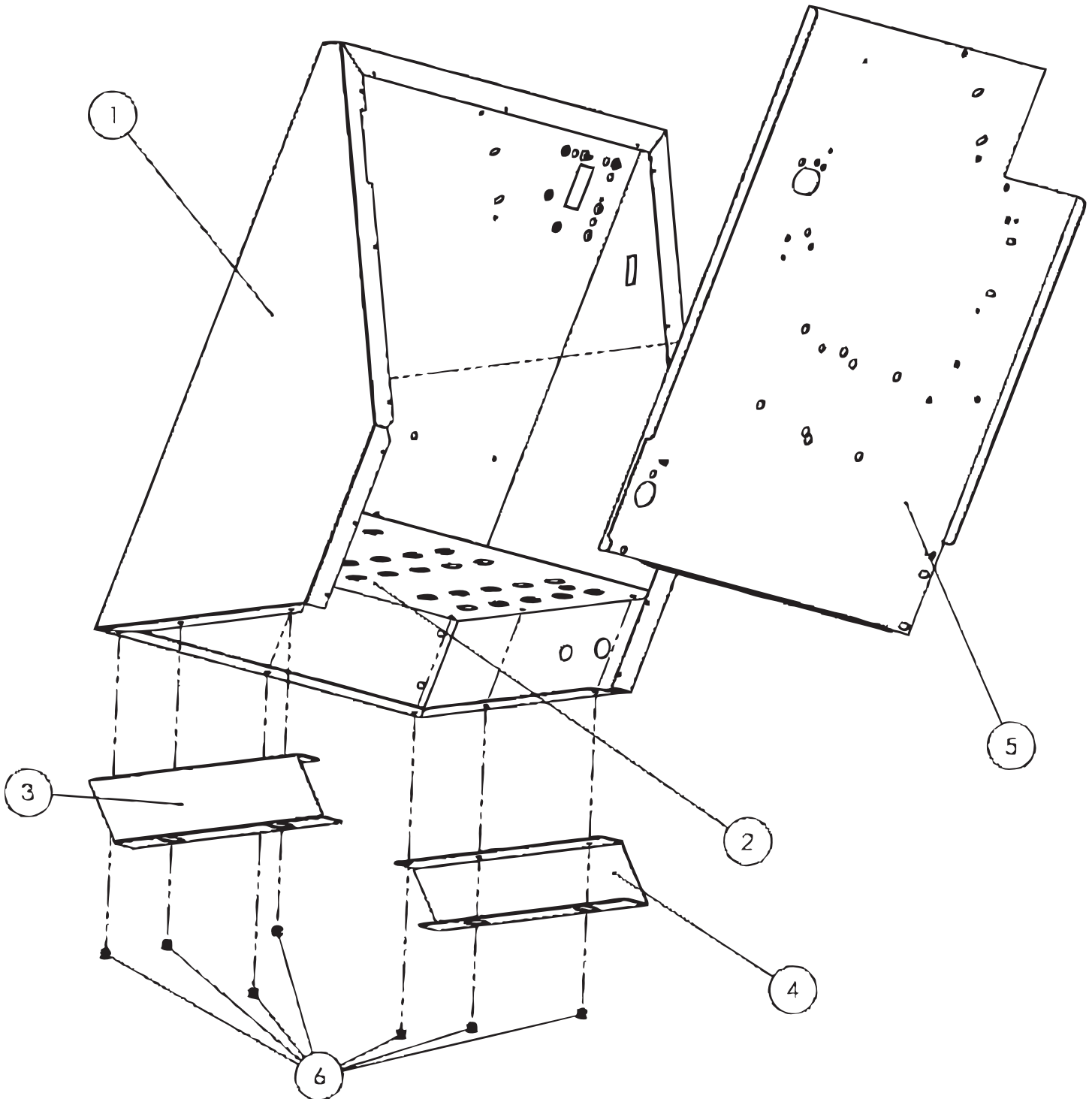
Rollers



Parts Breakdown

Model **BE-IT-0406** 13177

Enclosure



Parts Breakdown

Model BE-IT-0406 13177

Roll Machine

Item No.	Description	Position	Item No.	Description	Position	Item No.	Description	Position
AK705	Lower Steel Slide for 13177	1	AK708	Upper Guard for 13177	4	AK711	Ø10x37 Upper Spacer for 13177	7
AK706	Upper Steel Slide for 13177	2	AK709	Lower Roller Unit for 13177	5	AK712	Ø10x46 Lower Spacer for 13177	8
AK707	Lower Guard for 13177	3	AK710	Upper Roller Unit for 13177	6			

Motor

Item No.	Description	Position	Item No.	Description	Position	Item No.	Description	Position
AK713	Control Unit Label for 13177	1	AK715	Plastic Motor Pulley for 13177	3	AF318	Electrical Board for 13177	5
AK714	Motor 110/66 H70 220/50 4P CLF 12.5 µF for 13177	2	AK716	Plastic Reduction Pulley for 13177	4			

Scale Group

Item No.	Description	Position	Item No.	Description	Position	Item No.	Description	Position
AK718	Scale Unit for 13177	1	AK721	Lifting Beam Assembly for 13177	4	AK724	Ø28x38 Counterweight Scale for 13177	7
AK719	Ø14x29.5 M6 Stainless Steel Pin Scale for 13177	2	AK722	Ø25x23 Counterweight Scale for 13177	5			
AK720	Ø10x30 (Derlin) Retainer Pin Balance for 13177	3	AK723	Ø28x38 Counterweight Scale for 13177	6			

Rollers

Item No.	Description	Position	Item No.	Description	Position	Item No.	Description	Position
AK725	Upper Cylindrical Roller for 13177	1	AK733	Steel Rod D.5x438 for 13177	5	AK741	6200 ZZ Bearing for 13177	12
AK726	Lower Cylindrical Roller for 13177	1	AK734	Lower Small Support for 13177	6	AK742	6202 ZZ Bearing for 13177	13
AK727	Upper Eccentric Roller for 13177	2	AK735	Upper Small Support for 13177	6	AK743	Cylindrical Screw (Rolls Center Distance of 50) for 13177	14
AK728	Lower Eccentric Roller for 13177	2	AK736	Pizza Dough Scraper Spring for 13177	7	AK744	Lower Reduction Gear Support for 13177	15
AK729	Lower Cylindrical Shaft for 13177	3	AK737	Front Aluminum Pizza Dough Scraper 2000 (0.13kg) for 13177	8	AK745	Upper Reduction Gear Support for 13177	15
AK730	Upper Cylindrical Shaft for 13177	3	AK738	Back Aluminum Pizza Dough Scraper 2000 (0.13kg) for 13177	9	AK746	2008 Cylindrical Gear for 13177	16
AK731	Upper Eccentric Shaft for 13177	4	AK739	Male/Female Group Joint (Red) for 13177	10	AK747	Eccentric Gear 2008 for 13177	17
AK732	Lower Eccentric Shaft for 13177	4	AK740	Red RAL 3020 Cap (U-02) for 13177	11	AK748	Thickness Adjustment Group (Red Colour) for 13177	18

Parts Breakdown

Model BE-IT-0406 13177

Enclosure

Item No.	Description	Position	Item No.	Description	Position	Item No.	Description	Position
AK749	Enclosure for 13177	1	AK751	Right Foot for 13177	3	AK753	Subplate for 13177	5
AK750	Galvanized Sole for 13177	2	AK752	Left Foot for 13177	4			