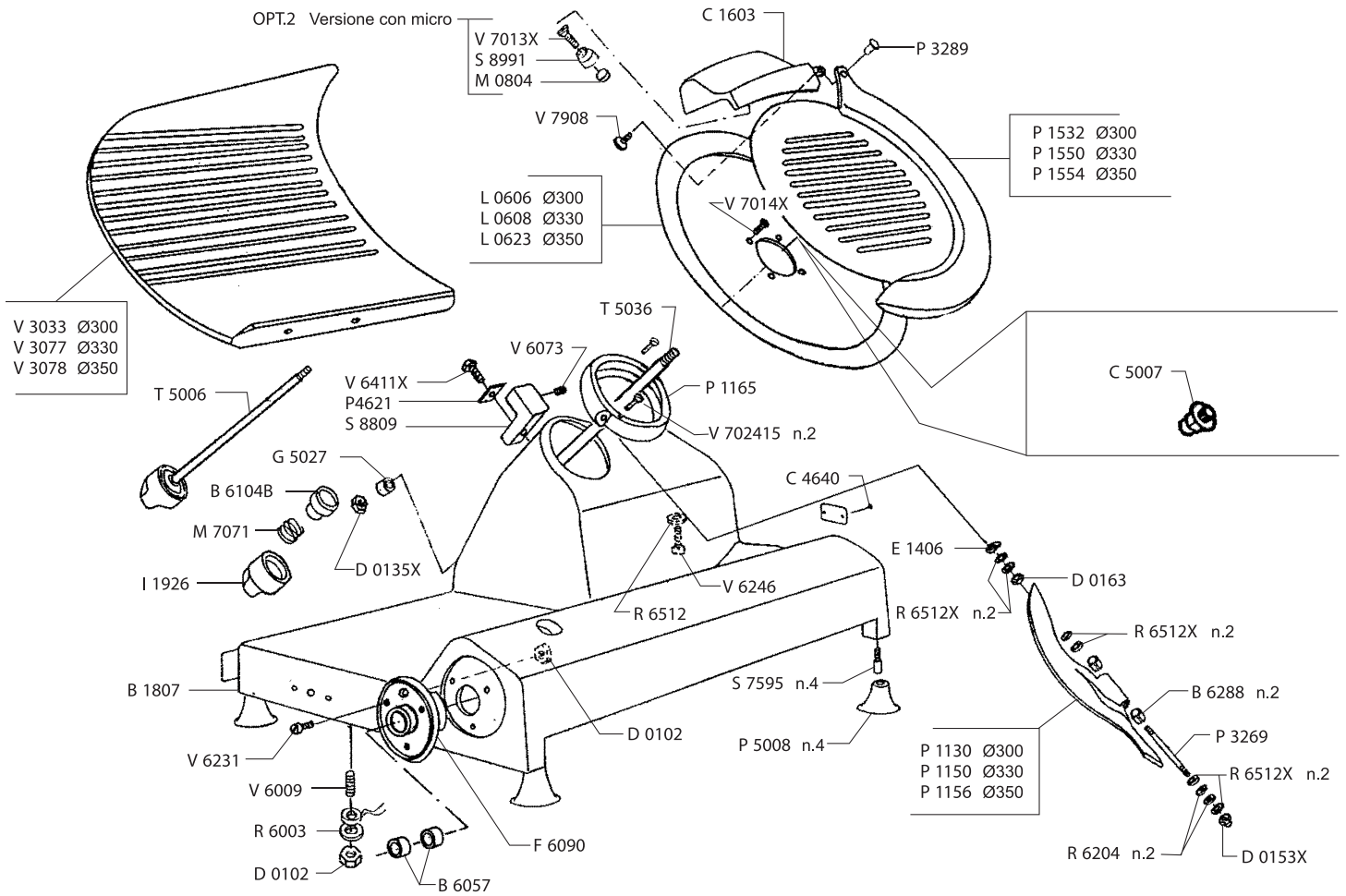


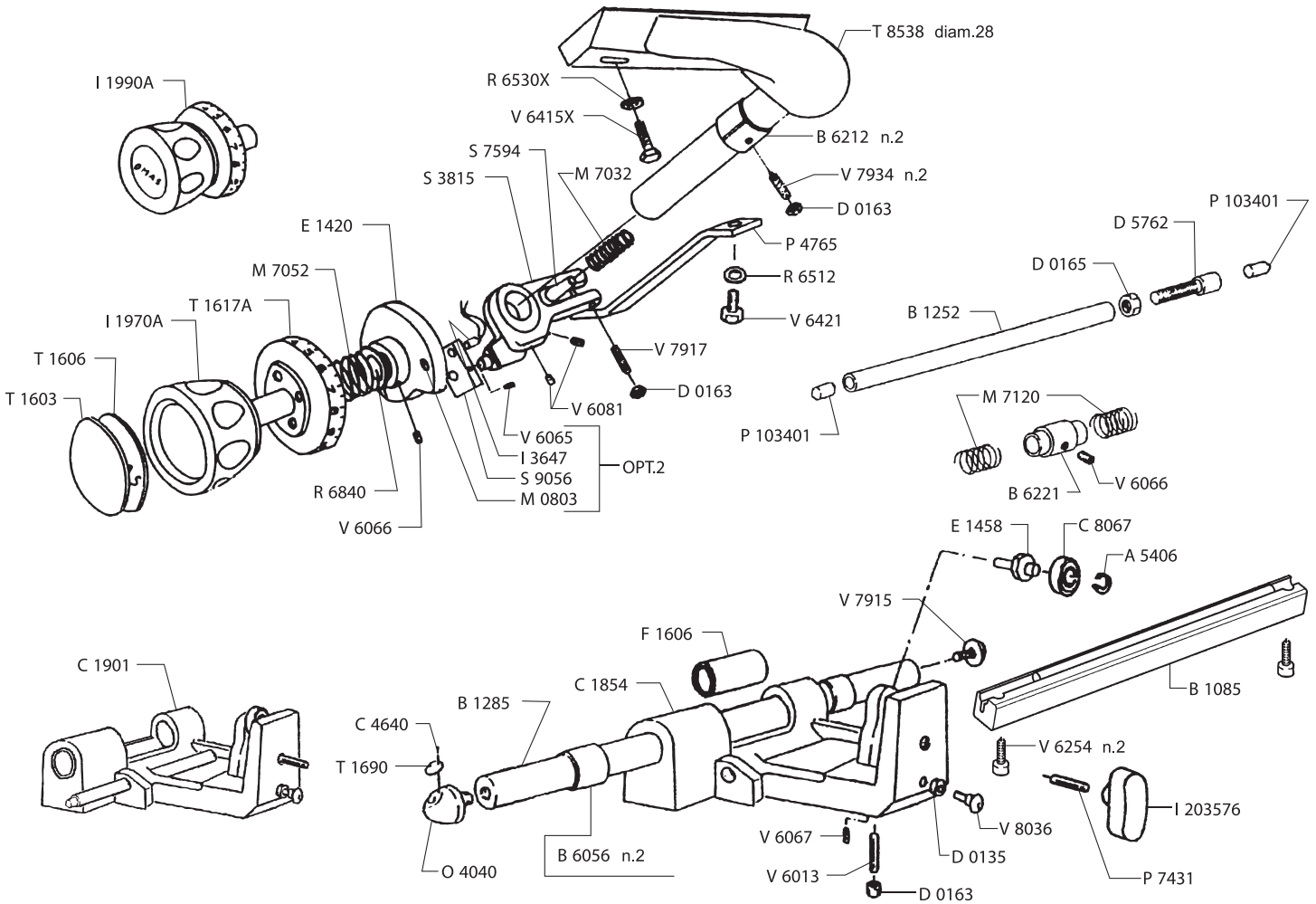
PARTS BREAKDOWN

ITEM	MODEL
13642	MS-IT-0330-G



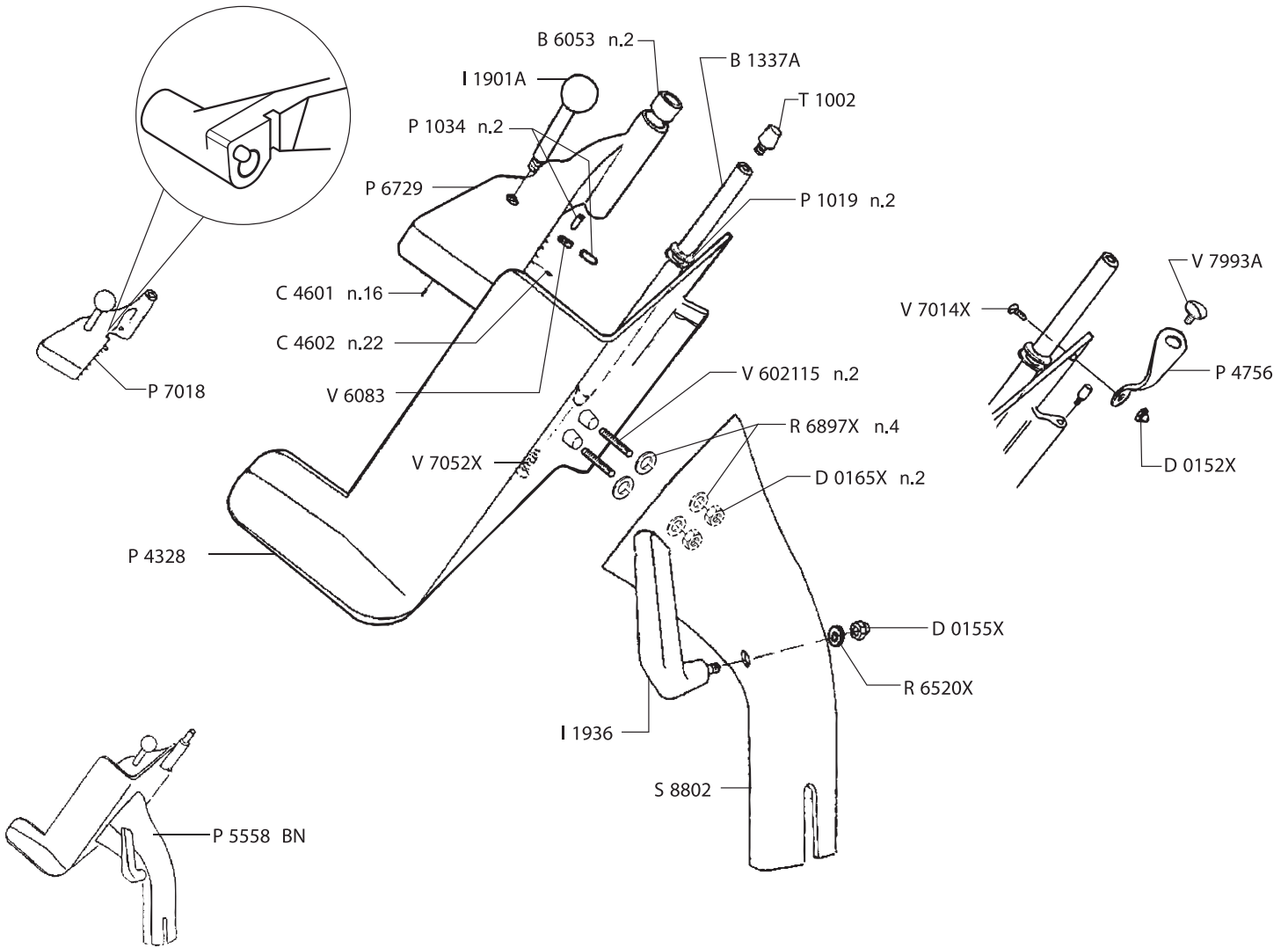
PARTS BREAKDOWN

ITEM	MODEL
13642	MS-IT-0330-G



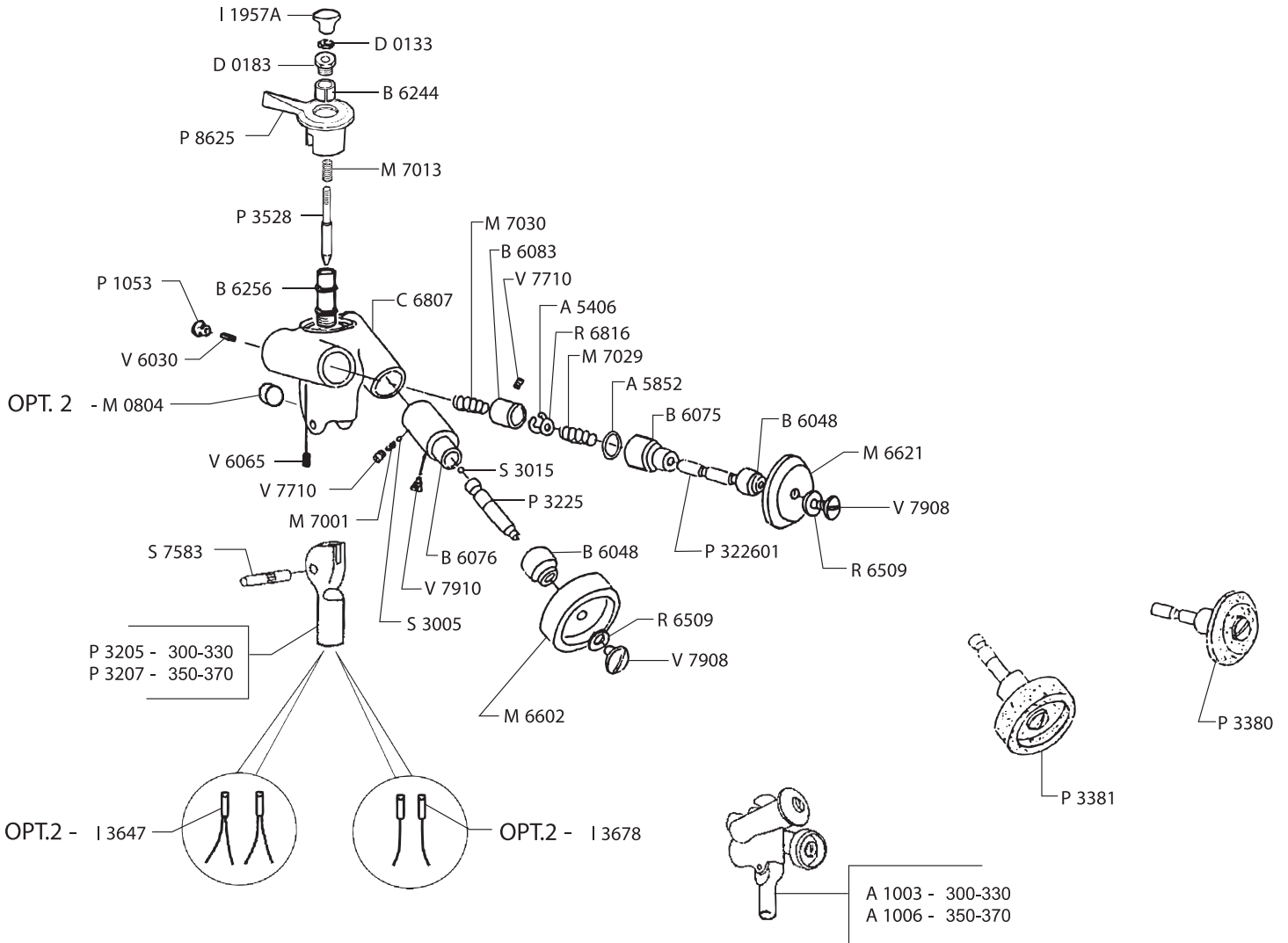
PARTS BREAKDOWN

ITEM	MODEL
13642	MS-IT-0330-G



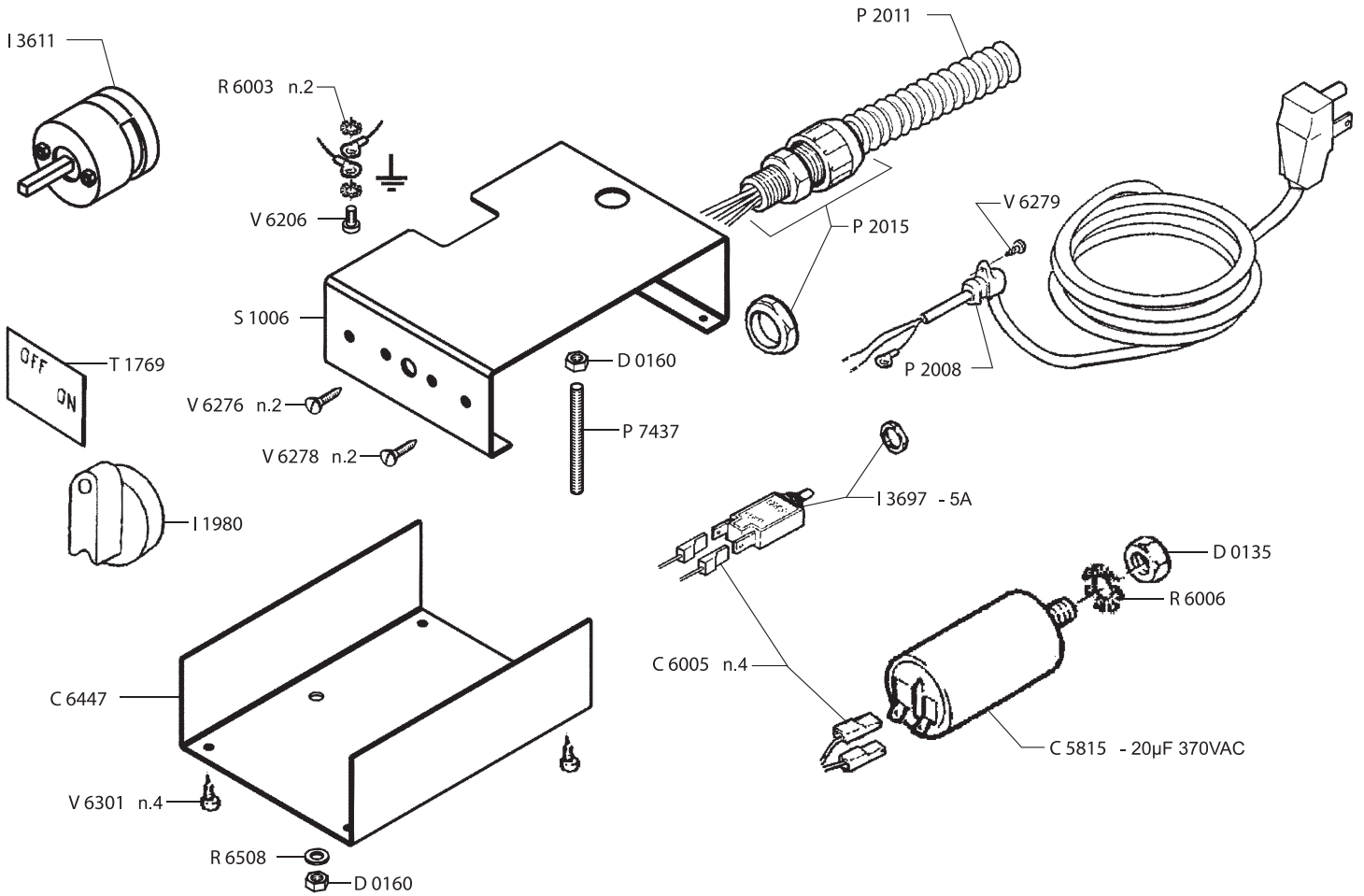
PARTS BREAKDOWN

ITEM	MODEL
13642	MS-IT-0330-G



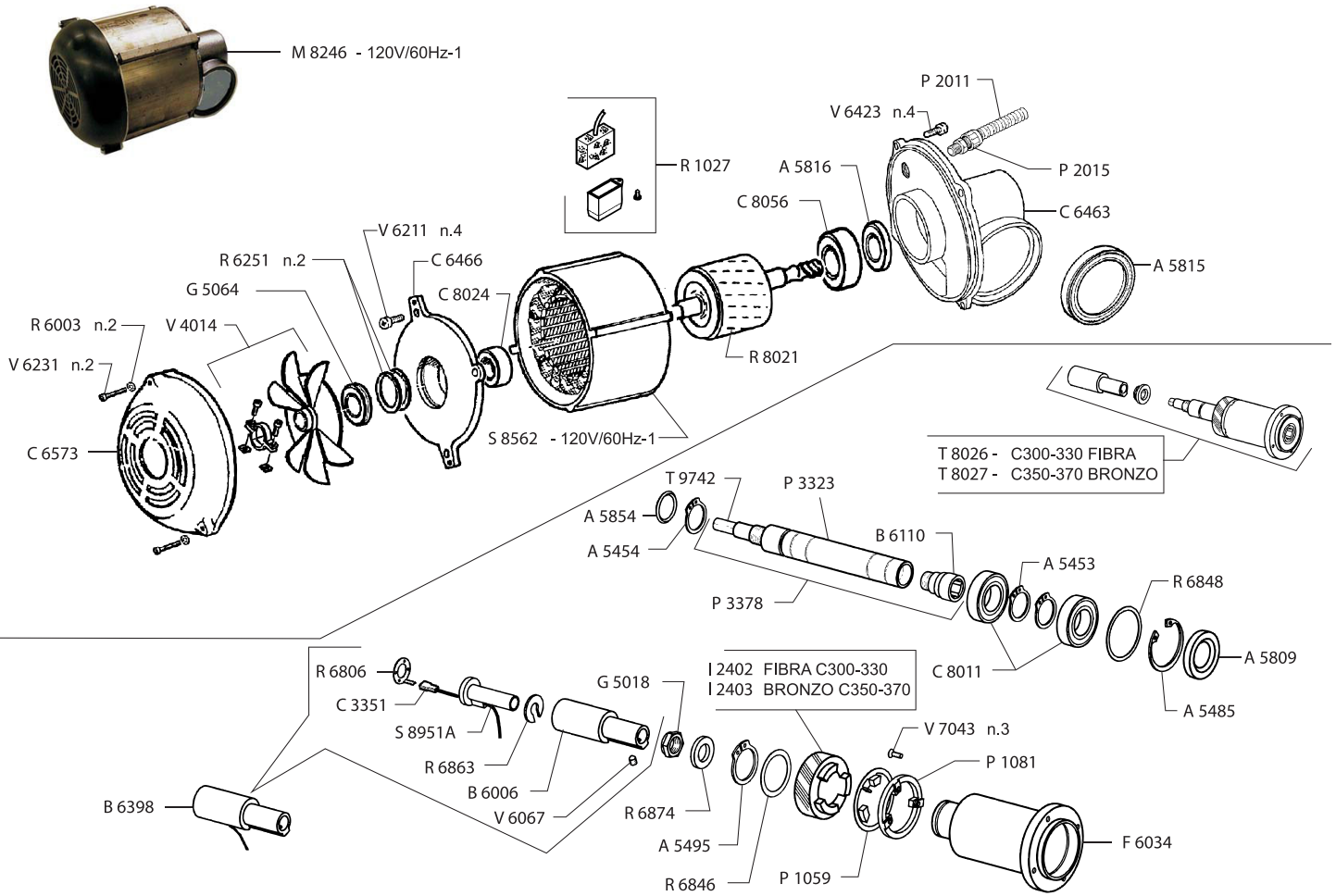
PARTS BREAKDOWN

ITEM	MODEL
13642	MS-IT-0330-G



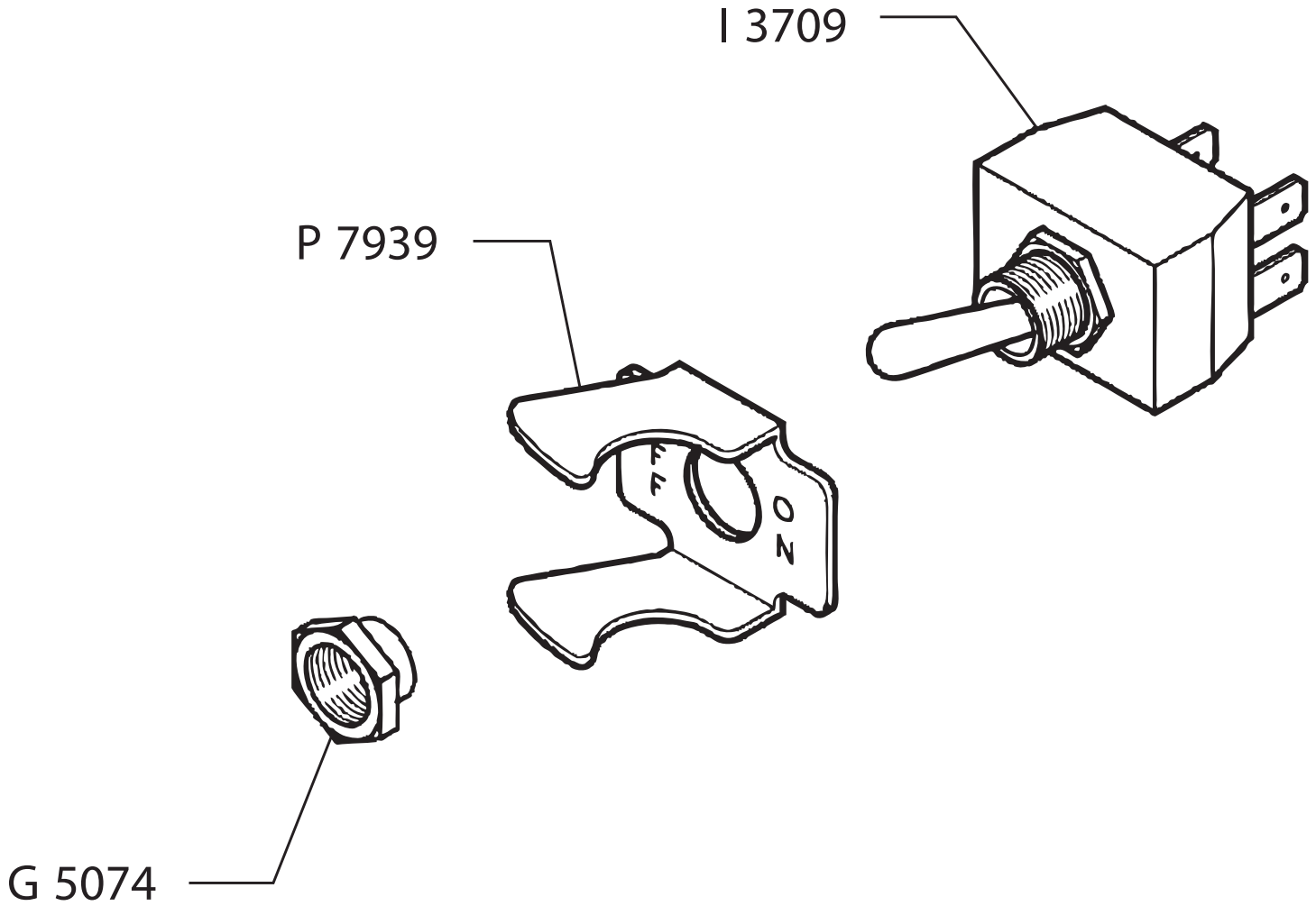
PARTS BREAKDOWN

ITEM	MODEL
13642	MS-IT-0330-G



PARTS BREAKDOWN

ITEM	MODEL
13642	MS-IT-0330-G



PARTS BREAKDOWN

ITEM	MODEL
13642	MS-IT-0330-G

Item No.	Description	Position	Item No.	Description	Position	Item No.	Description	Position
17272	Sharpening Assy (Support & Stones) for 13642	A1003	17307	Bushing Sharp. for 13642	B6083	36617	Motor Fan Cover for 13642	C6573
16902	Ring EL.Benzing 8 for 13642	A5406	19630	Bushing Fastener HBC for 13642	B6104B	19534	Housing Sharpener H for 13642	C6807
17281	Ring EL.Seeger Ext.25 for 13642	A5453	78265	Bushing Funnel for 13642	B6110	17334	Bearing 2Z-6205 25x52x15 for 13642	C8011
77585	Ring EL.Seeger Est.25 Ser.Heavy for 13642	A5454	18648	Bushing for 13642	B6212	16925	Bearing 2RS-6204 20x47x14 for 13642	C8024
19484	Ring 52 for 13642	A5485	36566	Bushing to Hold Carriage Springs for 13642	B6221	36631	Bearing 2RS-6205 25x52x15 for 13642	C8056
19612	Ring 33 for 13642	A5495	17313	Bushing DU 14x15x16 for 13642	B6244	16926	Bearing 2RS-6000 (10x26x8) for 13642	C8067
17283	Oil Seal 25x52x10 for 13642	A5809	23646	Sharpener Pivot Ferrule for 13642	B6256	60423	Touch Pad Gasket for 13642	C8242
17285	Oil Seal 60x75x8 for 13642	A5815	41601	Bushing DU 6x8x10 for 13642	B6288	19637	Nut M3 for 13642	D0101
19493	Oil Seal 25x47x07 for 13642	A5816	78677	Bushing Fastener Guard Knife C for 13642	B6398	19638	Nut M4 for 13642	D0102
77601	Oil Seal OR 2010 for 13642	A5848	16909	Sharpener Cover for 13642	C1603	77612	Self-Locking Nut M3 UNI7473 for 13642	D0110
17287	O-Ring 123 17.86x2.62 for 13642	A5852	36590	Carriage for 13642	C1854	16928	Nut U5589 M6 for 13642	D0133
17288	O-Ring 3081 20.24x2.62 for 13642	A5854	19527	Carriage Ass C for 13642	C1901	19639	Nut M8 for 13642	D0135
77602	O-Ring OR 4500 for 13642	A5857	77605	Assy Wiring 6 Poles LG.400 for 13642	C3236	36637	Nut U5589 M8 Stainless Steel for 13642	D0135X
36547	Carriage Rod lg.465 for 13642	B1085	65610	Cord 0.5 LG.750 Coverblade Microswitch for 13642	C3351	36639	Nut U5721 M5 Stainless Steel for 13642	D0152X
36549	Shock Absorber Rod 12x185 for 13642	B1252	17316	Pin 8.5mm for 13642	C4601	36640	Domed Nut U5721 M6 Stainless Steel for 13642	D0153X
36552	Carriage Rod for 13642	B1285	17317	Pin .11 for 13642	C4602	19642	Nut M8 for 13642	D0155X
19501	Meat Grip Rod A310 & C for 13642	B1337A	36601	Rivet 1.9x5 for 13642	C4640	36643	Nut U5588 M5 for 13642	D0160
78270	Body for 13642	B1807	36607	Blade Cover Bolt Keeper 14x14 M for 13642	C5007	19644	Nut M6 for 13642	D0163
17298	Bushing Fastener C for 13642	B6006	20458	Capacitor 14uF for 13642	C5815	36647	Nut U5588 M8 for 13642	D0165
16904	Bushing Sharpener for 13642	B6048	AI225	Connector for 13642	C6005	36648	Nut U5588 M8 for 13642	D0165X
16905	Bushing DU 16x18x15 for 13642	B6053	74403	Connector Faston 2 Poles Male for 13642	C6010	36651	Sharpener Support Nut for 13642	D0183
17304	Bushing for 13642	B6056	77611	P.C.B. Cover Box for 13642	C644680	36661	Carriage Shock Absorber Spacer for 13642	D5762
17305	Bushing DU 18x20x15 for 13642	B6057	AI226	Cover Box for S1006 for 13642	C6447	30459	Stop Cam for 13642	E1406
16906	Bush Sharpening for 13642	B6075	78266	Front Motor Cover for 13642	C6463	17342	Cam 15mm for 13642	E1420
16907	Bush. Sharpening for 13642	B6076	36615	Back Motor Cover for 13642	C6466	17345	Cam Bearing for 13642	E1458

PARTS BREAKDOWN

ITEM	MODEL
13642	MS-IT-0330-G

Item No.	Description	Position	Item No.	Description	Position	Item No.	Description	Position
77614	Nylon Cable Tie (Diam.45x200) for 13642	F2815	19776	Spring 14x1.5x60 for 13642	M7032	23649	Knife Shaft for 13642	P3378
17348	Flange Knife C for 13642	F6034	17381	Spring 22 5x1 8x18 for 13642	M7052	17426	Assy Honing Stone Pivot for 13642	P3380
17351	Locknut for 13642	G5018	19250	Spring 24.8x1.8x15 for 13642	M7071	17427	Assy Grinding Stone & Pin for 13642	P3381
36689	Stainless Steel Locknut M8 for 13642	G5027	19248	Spring 15.6x20x2.2 for 13642	M7120	23645	Sharpener Pivot for 13642	P3528
36697	Logging Lock Nut for 13642	G5064	78283	Screw for 13642	M7132	26126	Table for 13642	P4328
17352	Touch Pad-Start/Stop Push Button for 13642	I1680	20263	Motor 120V/60Hz-1 for 13642	M8246	19831	Gauge Plate Flat Bar VS for 13642	P4621
16930	Handle C for 13642	I1901A	19791	Oiler Oil Cap with Screw for 13642	O4040	16960	Support Plate for 13642	P4756
17356	Fastener Handle for 13642	I1926	17390	Rubber Shock ABS. 16x22x2.5 for 13642	P1019	36830	Flat Bar C for 13642	P4765
19587	Sharpener Knob for 13642	I1957A	17392	PL.Shock Absorb.8.5x20 for 13642	P1034	16961	Foot for 13642	P5008
36705	Adjustment Knob for 13642	I1970A	36761	Shock Absorber for 13642	P103401	78235	End Grip for 13642	P6729
36707	Switch Handle for 13642	I1980	36762	Rubber Plug for 13642	P1053	17443	End Grip for 13642	P7018
36708	Assy Index Knob for 13642	I1990A	16955	Shock Absorber for 13642	P1059	17444	Stud Carriage for 13642	P7431
18220	Knob-Handling for 13642	I203576	17395	Shock Absorber for 13642	P1081	AI228	Stud Motor Cover for 13642	P7437
62453	Nylon Gear for 13642	I2402	19805	Deflector for 13642	P1150	60424	Touch Pad Screw for 13642	P7447
16938	Switch and Knob for 13642	I3611	27888	Ring Deflector for 13642	P1165	AI229	Protection Switch Lev.(ETL) for 13642	P7939
17369	Switch 4x20 for 13642	I3647	17412	Knife Guard for 13642	P1550	78282	Lock Washer for 13642	P8620
36723	Switch 4x25 for 13642	I3678	77616	Strain Relief for 13642	P2004	24030	Sharpener Operating Handle	P8625
72282	Overload Protector for 13642	I3697	17415	Strain Relief for 13642	P2008	78284	Bracket for 13642	P8626
AI227	Interr.Bipolare A Levetta 16A for 13642	I3709	60421	Electrical Conduit for 13642	P2011	65640	Oil Receiver for 13642	R1027
13598	Blade 330 57x4x270 for 13642	L0608	36778	Wire-Press for 13642	P2014	19657	Washer 4 for 13642	R6003
36733	Magnet 8x10 for 13642	M0803	36779	Core-Hitch + Nut for 13642	P2015	19659	Washer 8 for 13642	R6006
21645	G Stone 51x15x14.3 for 13642	M6602	19811	Pin Sharpener for 13642	P3205	17454	Washer for 13642	R6204
21644	F Stone 51x7x14.3 for 13642	M6621	16959	Pin Grinding for 13642	P3225	78258	Washer 30.5x46.5x0.6 for 13642	R6251
36741	Spring 2.9x4x12 Stainless Steel for 13642	M7001	17419	Pin Truing for 13642	P322601	36880	Washer U6592 3 for 13642	R6504
17377	Spring 8.5x1.0x25 Stainless Steel for 13642	M7013	17422	Pin Deflector for 13642	P3269	17455	Washer U6592 4 for 13642	R6505
17379	Spring 11.9x0.7x27 Stainless Steel for 13642	M7029	17423	Pivot Hinged Support O10x22 (Pin Grinding Long) for 13642	P3289	17456	Washer U6592 5 for 13642	R6508
17380	Spring 13.4x1.3x30 Stainless Steel for 13642	M7030	78237	Knife Shaft for 13642	P3323	20422	Washer for 13642	R6509

PARTS BREAKDOWN

ITEM	MODEL
13642	MS-IT-0330-G

Item No.	Description	Position	Item No.	Description	Position	Item No.	Description	Position
16967	Washer U65926 for 13642	R6512	19871	Bracket Sharpener for 13642	S8809	37030	Screw M12x16 U5927 for 13642	V6081
17457	Washer U6592 6 Stainless Steel for 13642	R6512X	78236	Bracket Washer C for 13642	S8951A	37031	Screw STEI U5929 M8x16 for 13642	V6083
36884	Washer U6592 8 Stainless Steel for 13642	R6520X	60422	Touch Pad Back Casing for 13642	S9236	37033	Screw TC U6107 M4x8 for 13642	V6206
36885	Washer U6592 10 Stainless Steel for 13642	R6530X	19878	Rubber Cap for 13642	T1002	19697	Screw M5x16 for 13642	V6211
17458	Contact Washer for 13642	R6806	19879	Label for 13642	T1603	19699	Screw M4x25 for 13642	V6231
36889	Washer 10.5x16x1 for 13642	R6816	19880	Label for 13642	T1606	19702	Screw M6x25 for 13642	V6246
16969	Washer 18.2x25x0.5 for 13642	R6840	36985	Label Plate for 13642	T1617A	37042	Screw TCEI U5931 M8x25 for 13642	V6254
17460	Washer 34.2x46x0.5 for 13642	R6846	19883	Label Oil for 13642	T1690	37047	Screw TC AUT.D7971 2.9x13 for 13642	V6276
19674	Washer 44.5x51.5x0.2 for 13642	R6848	77628	Switch Overlay for 13642	T1760	19706	Screw for 13642	V6278
19675	Washer C for 13642	R6863	16978	Blade Cover Fastener Assy C for 13642	T5006	37048	Screw TCTC AUT.D7981 3.5x9.5 for 13642	V6279
36892	Washer 17x30x4 for 13642	R6874	19887	Blade Cover Fastener C for 13642	T5036	77629	Screw TBTC AUT.U6954 4.2x13 for 13642	V6296
36893	Stainless Steel Special Washer 8.5x24x2 for 13642	R6897X	16983	Knife Shaft Assy for 13642	T8026	37054	Screw TBTC AUT.U6954 2.9x9.5 for 13642	V6301
78261	Rotor Stator H.50 for 13642	R8021	36999	Riding Pin (Diam.28) for 13642	T8538	37058	Stainless Steel Screw M4x8 for 13642	V6370
77619	P.C.B. Protection Box for 13642	S100480	79283	Shaft Pin for 13642	T9742	37059	Stainless Steel Screw M4x14 for 13642	V6371
AI230	Electric Box for 13642	S1006	78268	Gauge Plate for 13642	V3077	37061	Screw TE U5739 M8x35 Inox for 13642	V6411X
19680	Ball 3 17 for 13642	S3005	37013	Motor Fan MEC80 148x16 for 13642	V4014	37064	Screw TE U5739 M10x35 for 13642	V6415X
17465	Ball 4.76 for 13642	S3015	37017	Screw STTC U6113 M4x30 for 13642	V6009	37066	Screw TE U5737 M6x15 for 13642	V6421
AP747	Electric P.C. Board 120V/60 for 13642	S3265	17492	Screw STTC U6113 M6x40 for 13642	V6013	37067	Screw TE U5739 M5x20 for 13642	V6423
36908	Track C-CD for 13642	S3815	26127	Stud C Model for 13642	V602115	37078	Stainless Steel Screw TSP U6109 M5x12 for 13642	V7013X
17475	Pin 8x42 for 13642	S7583	37021	Screw for 13642	V6030	17497	Screw TSP U6109 M5x15 Stainless Steel for 13642	V7014X
19867	Pin D10 M6 L26 for 13642	S7594	37023	Screw STEI U5929 M5x5 for 13642	V6065	37080	Stainless Steel Screw M4x40 U6109 for 13642	V702415
17476	Foot Support Pin D.10 M8 L.37 for 13642	S7595	19691	Grub Screw M6x6 for 13642	V6066	17498	Screw TSPEI U5933 M4x10 for 13642	V7043
19870	Stator 120/60 for 13642	S8562	19692	Screw M6x8 for 13642	V6067	37084	Screw TSPEI U5933 M10x30 Stainless for 13642	V7052X
36934	Bracket.Tray C for 13642	S8802	23648	Screw for 13642	V6073	19713	Screw Sharpener for 13642	V7710

PARTS BREAKDOWN

ITEM	MODEL
13642	MS-IT-0330-G

Item No.	Description	Position	Item No.	Description	Position	Item No.	Description	Position
17503	Screw M5x13 for 13642	V7908	19717	Screw M6x50 for 13642	V7917	19920	Screw M8x30 for 13642	V8036
19715	Screw Sharpener for 13642	V7910	19720	Screw M6 for 13642	V7934			
17504	Bar Screw M6x14 Stainless Steel for 13642	V7915	37095	Screw for Rod 6x13 for 13642	V7993A			