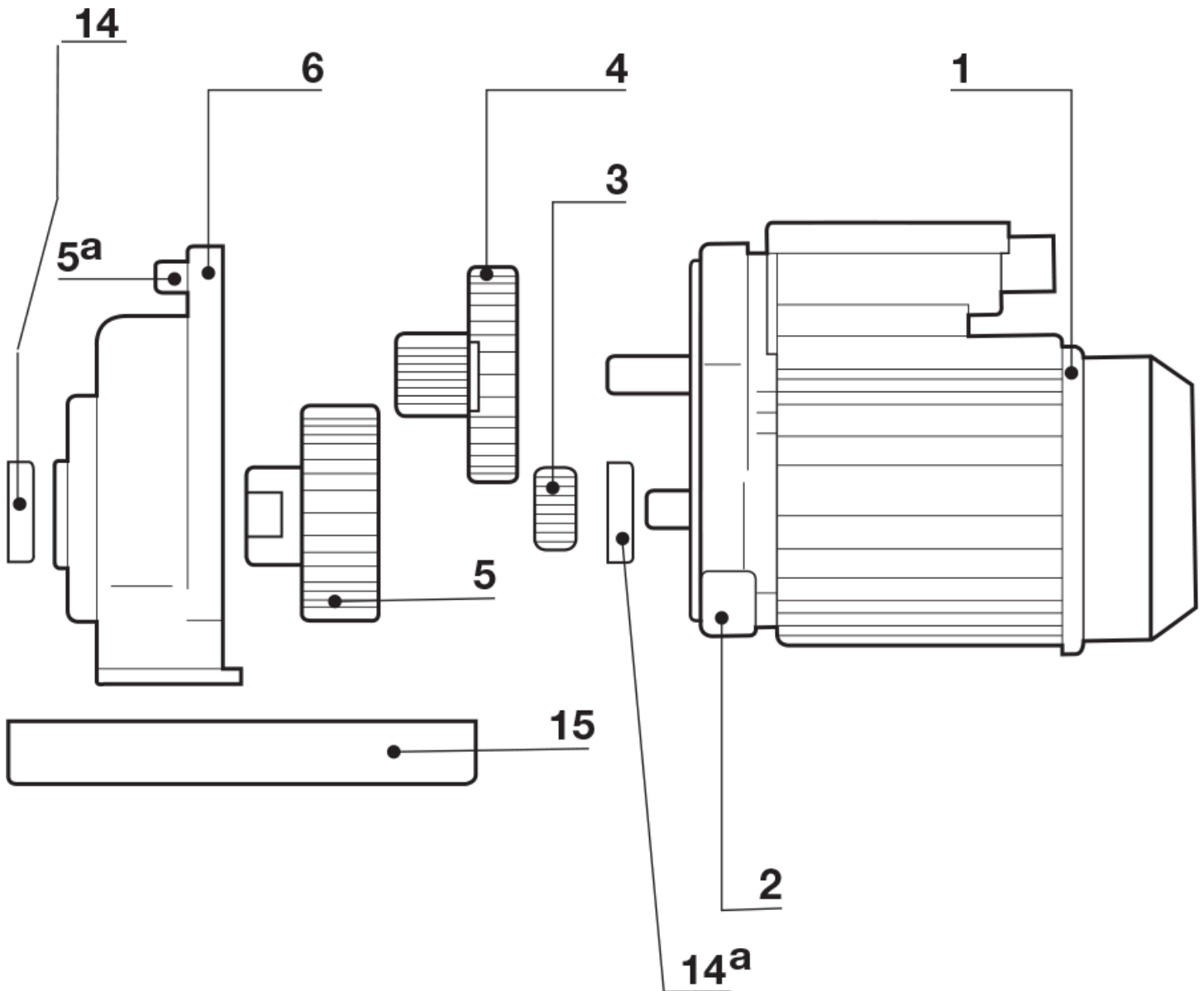


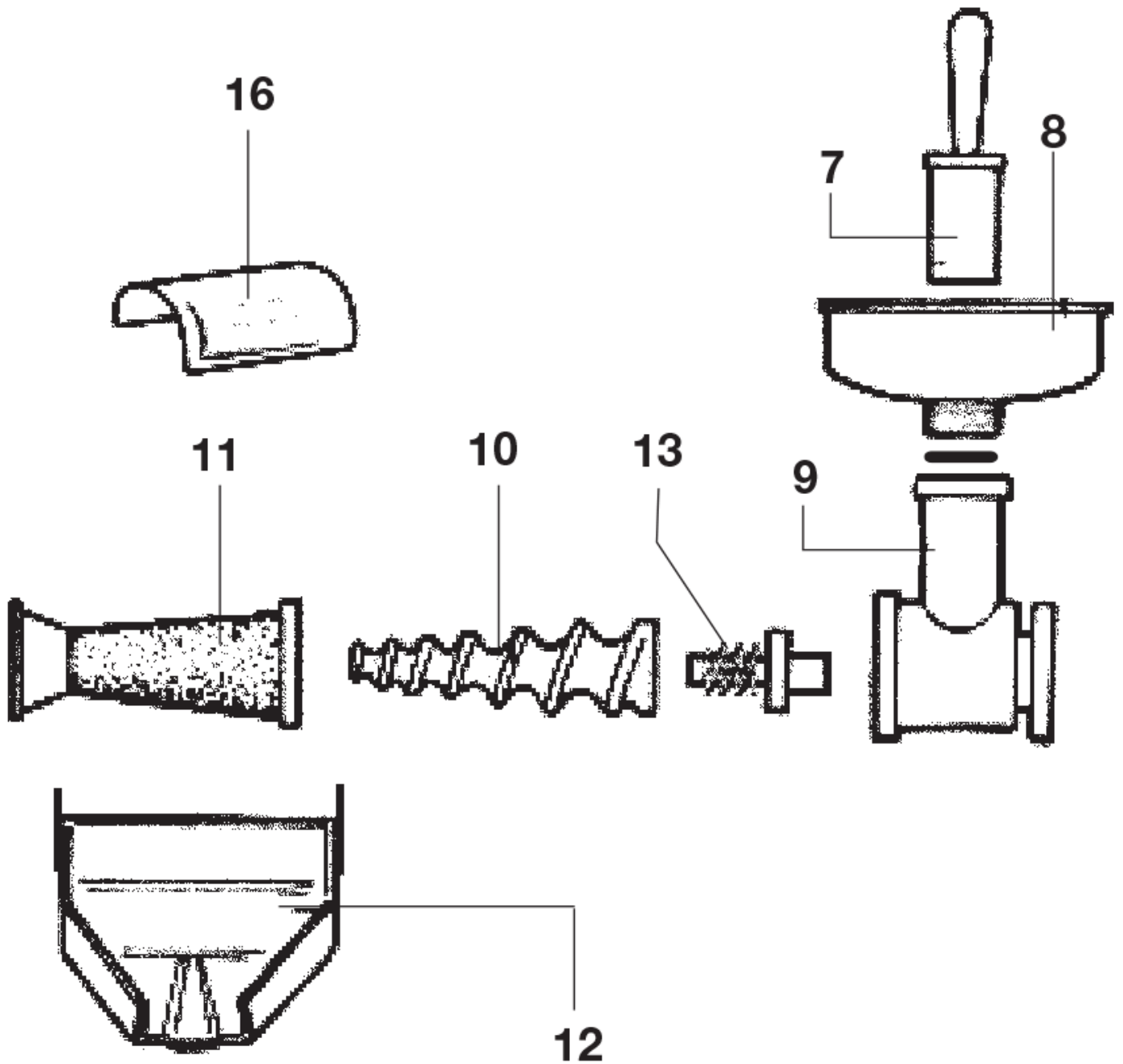
PARTS BREAKDOWN

ITEM	MODEL
18903	TS-IT-0110-L



PARTS BREAKDOWN

ITEM	MODEL
18903	TS-IT-0110-L



PARTS BREAKDOWN

ITEM	MODEL
18903	TS-IT-0110-L

Item No.	Description	Position	Item No.	Description	Position	Item No.	Description	Position
70045	Electric Motor for 18903	1	70071	Funnel for 18903	8	27857	Gear Cover Oil Seal for 18903	14
70046	Reduction Gear Flange for 18903	2	70054	Cast Iron Casing for 18903	9	70060	Reduction Gear Internal Seal for 18903	14A
27858	1020 SER Gears for 18903	3 - 5	24596	Worm for 18903	10	70061	Base for 18903	15
40628	Rubber Cap Red for 18903	5A	24611	Filter Cone Inox N.5 Standard Holes (1.5mm) for 18903	11	70062	Splash Guard for 18903	16
70051	Reduction Gear Cover for 18903	6	44746	Drip Pan for 18903	12	39339	Rubber Gasket for 18903	
70052	Pestle for 18903	7	24614	Joint and Spring for 18903	13	AQ163	Switch/Reverse HP0.80/1.50 for 18903	