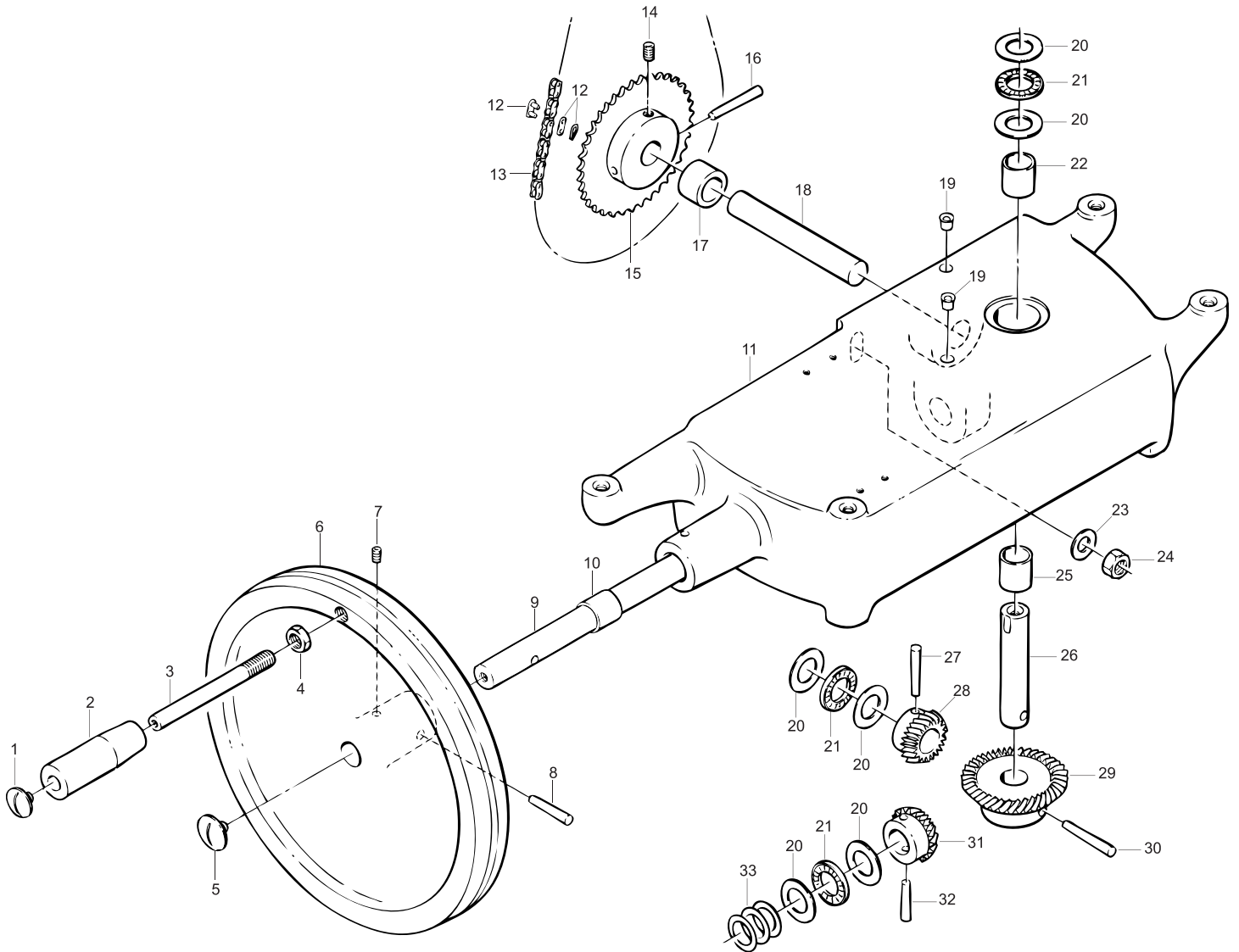


Parts Breakdown

Model MS-IT-0300-MF 26073

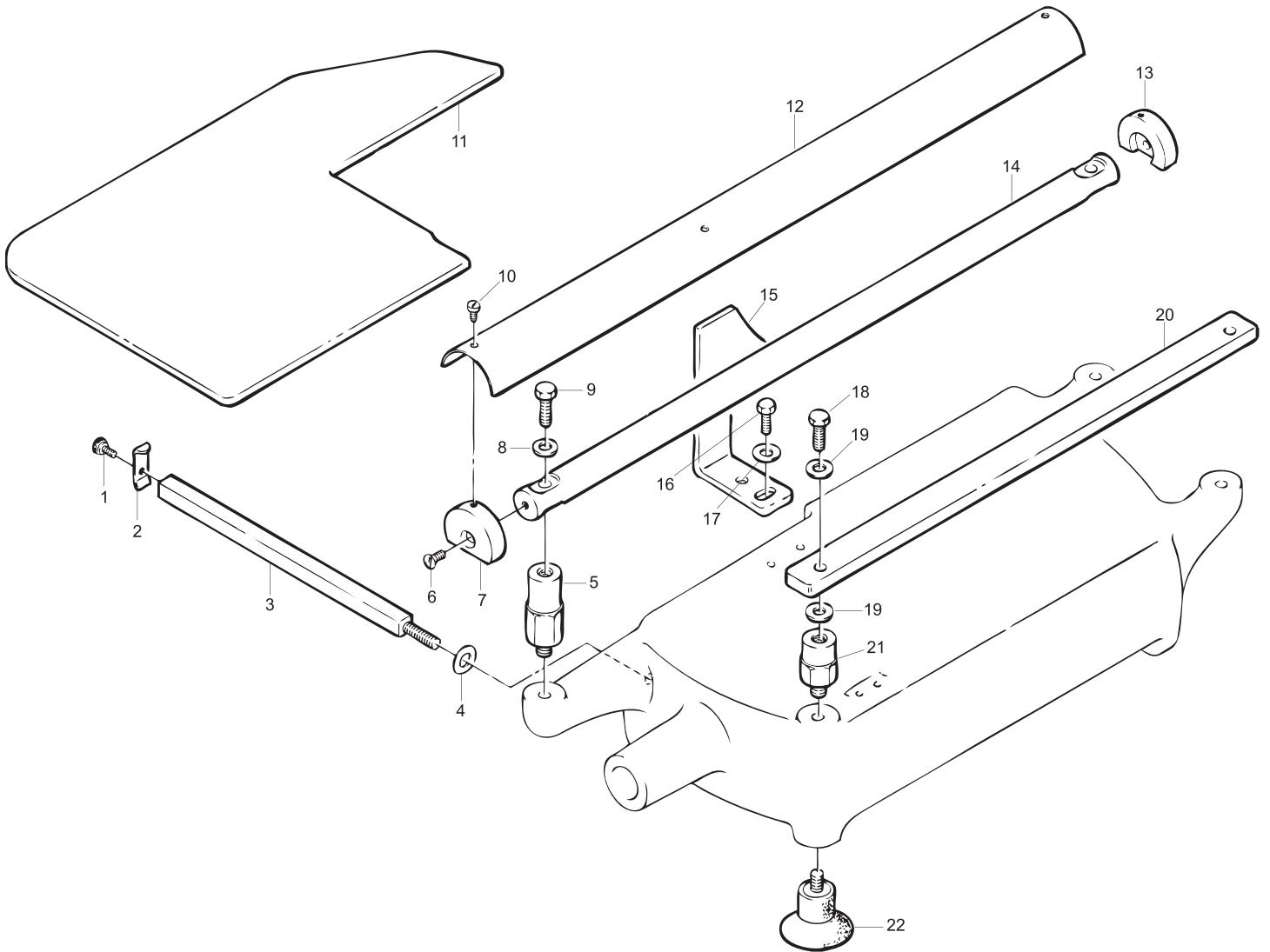
Base



Parts Breakdown

Model MS-IT-0300-MF 26073

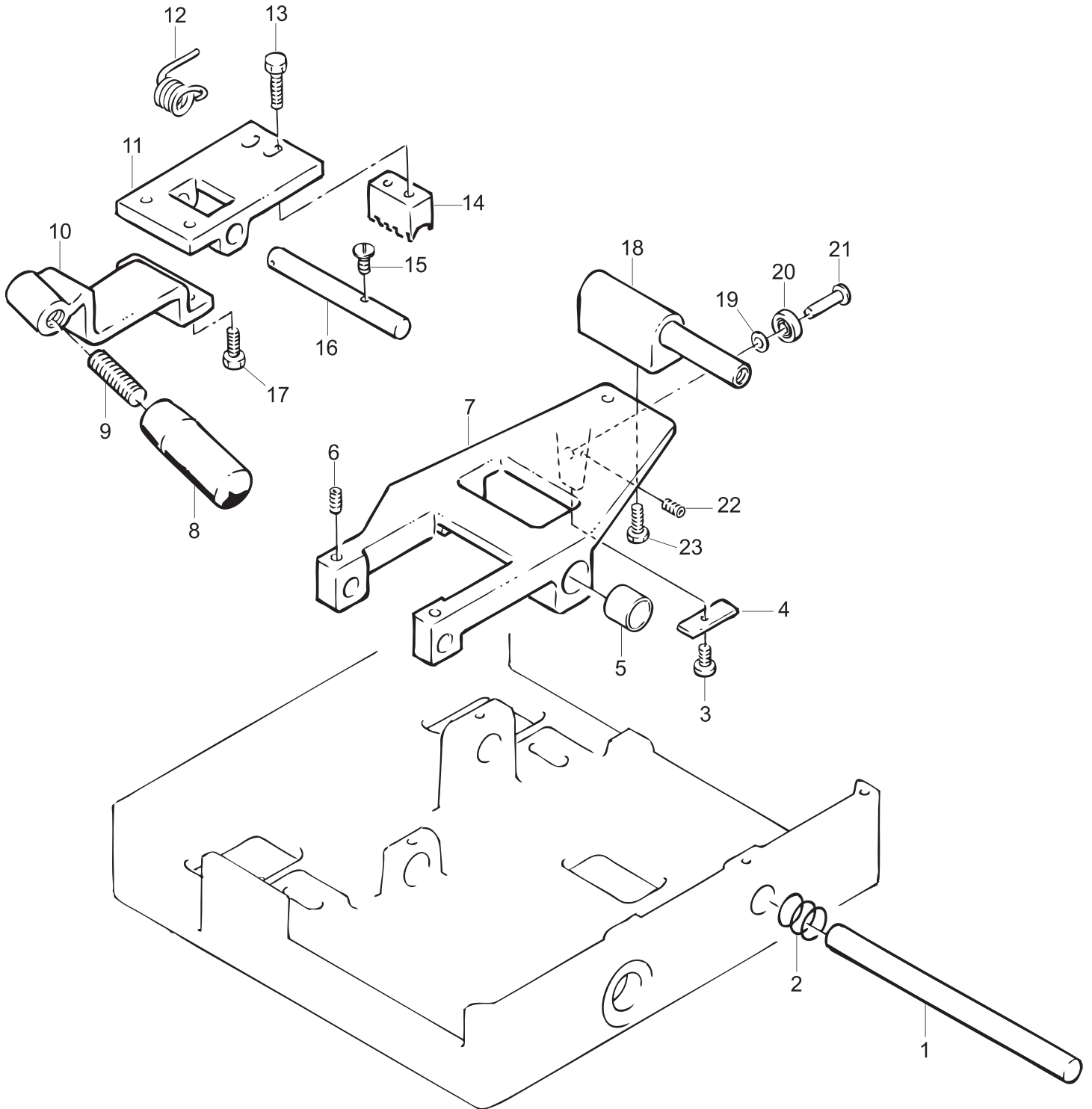
Guide



Parts Breakdown

Model MS-IT-0300-MF 26073

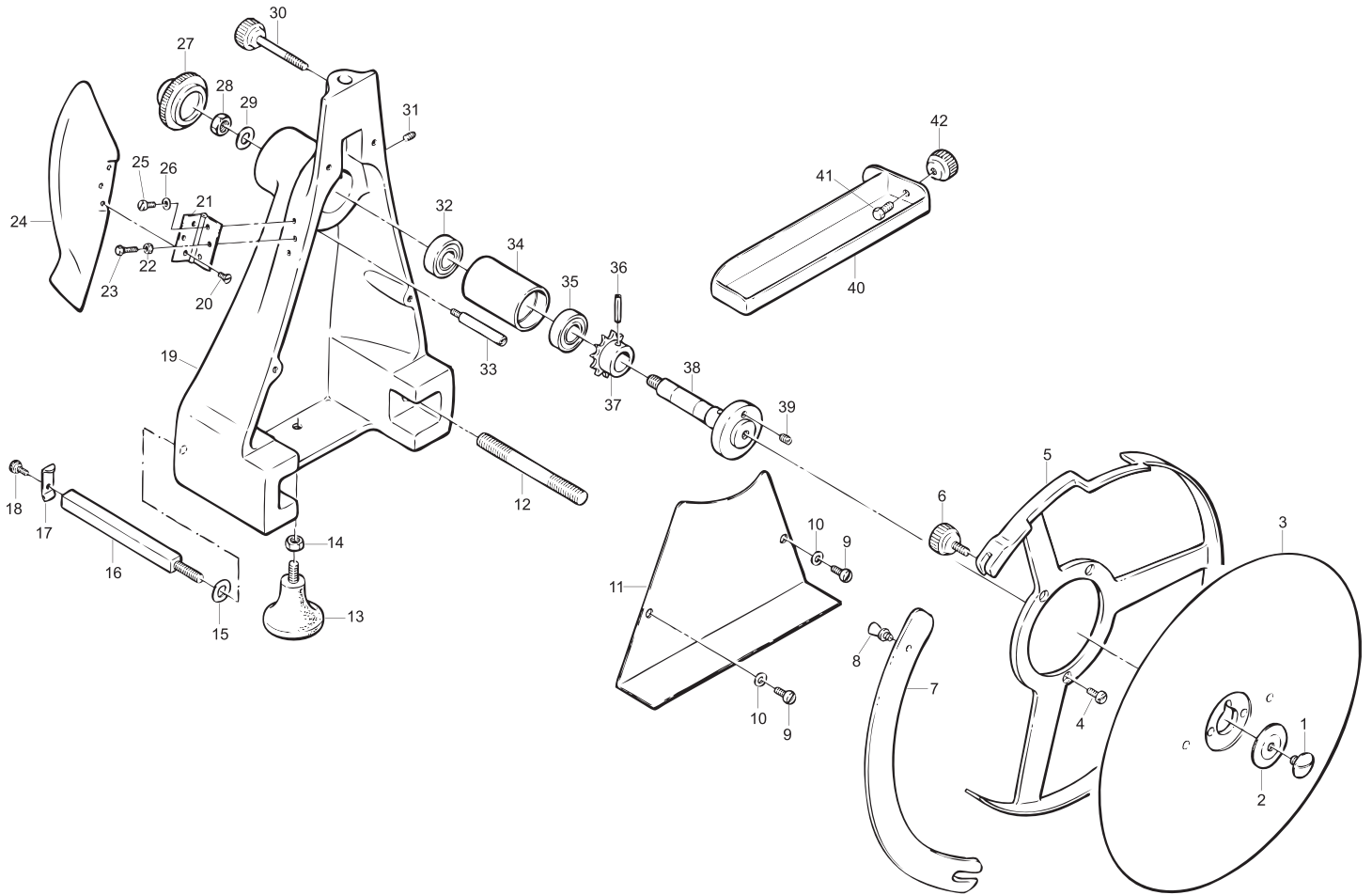
Rapid Approach



Parts Breakdown

Model MS-IT-0300-MF 26073

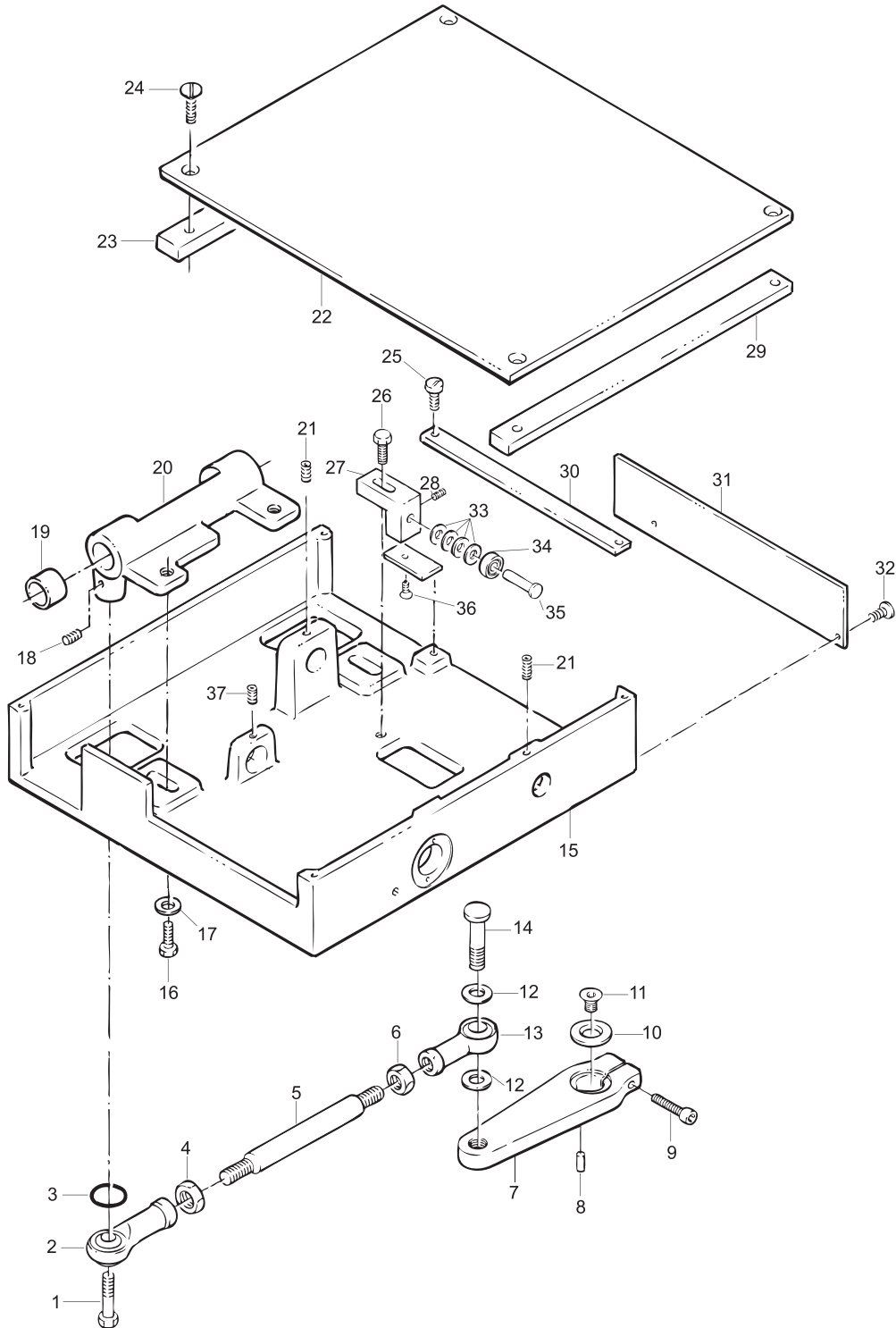
Blade Assembly



Parts Breakdown

Model MS-IT-0300-MF 26073

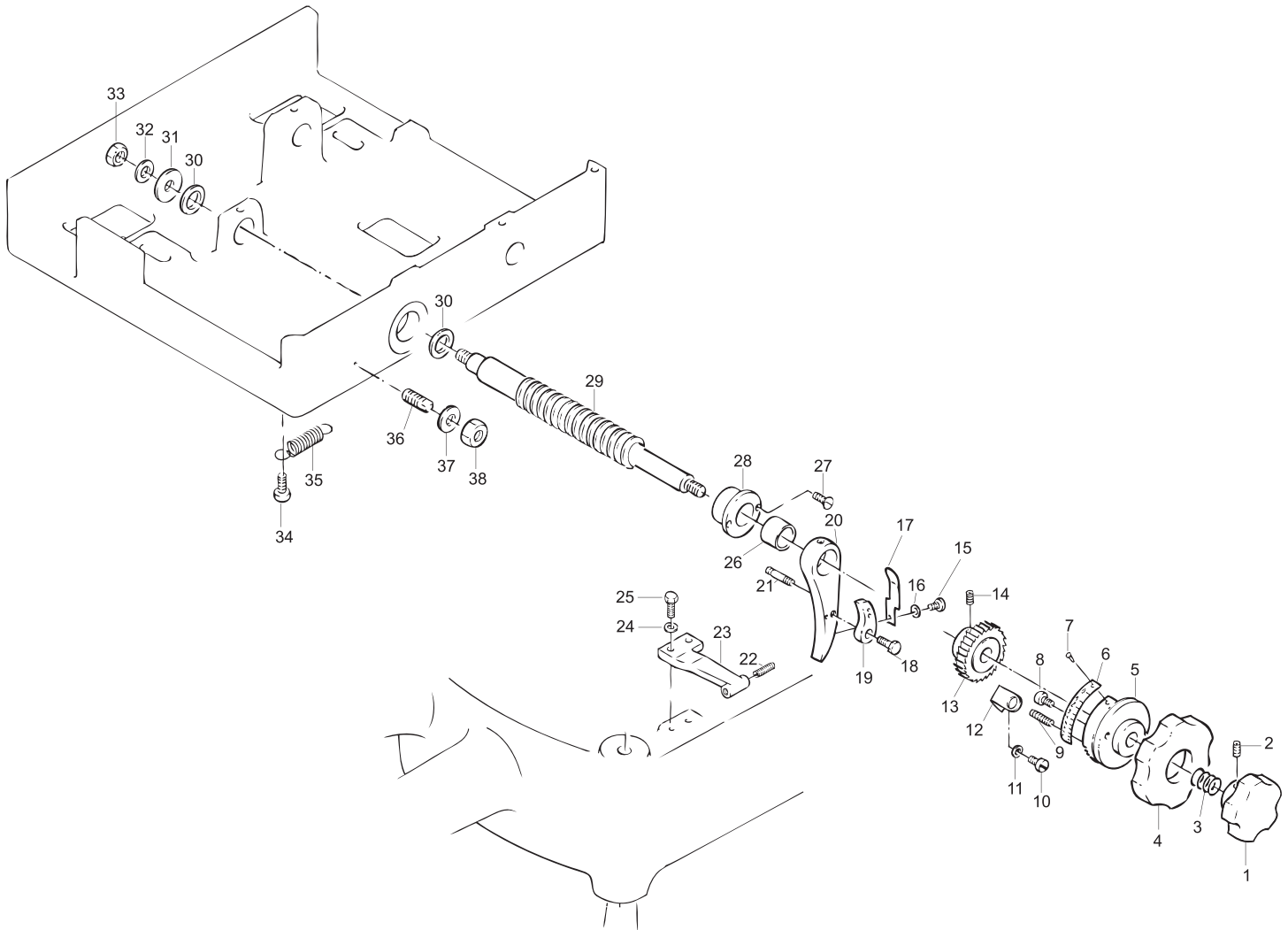
Cart



Parts Breakdown

Model MS-IT-0300-MF 26073

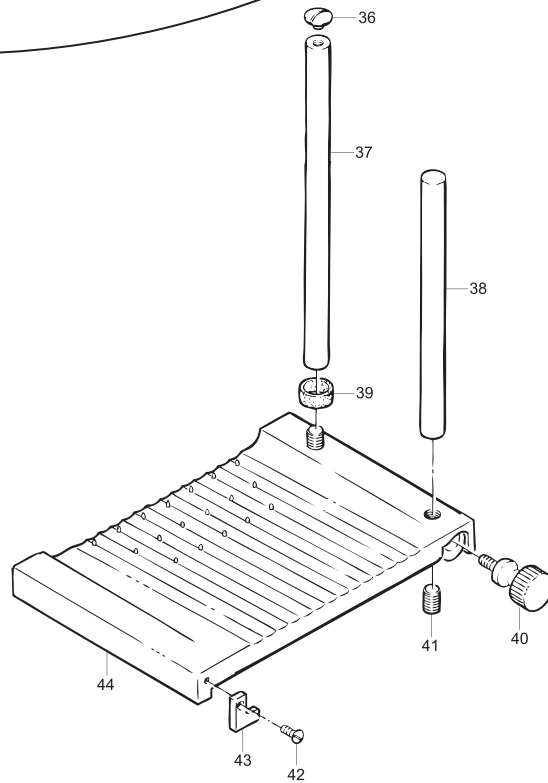
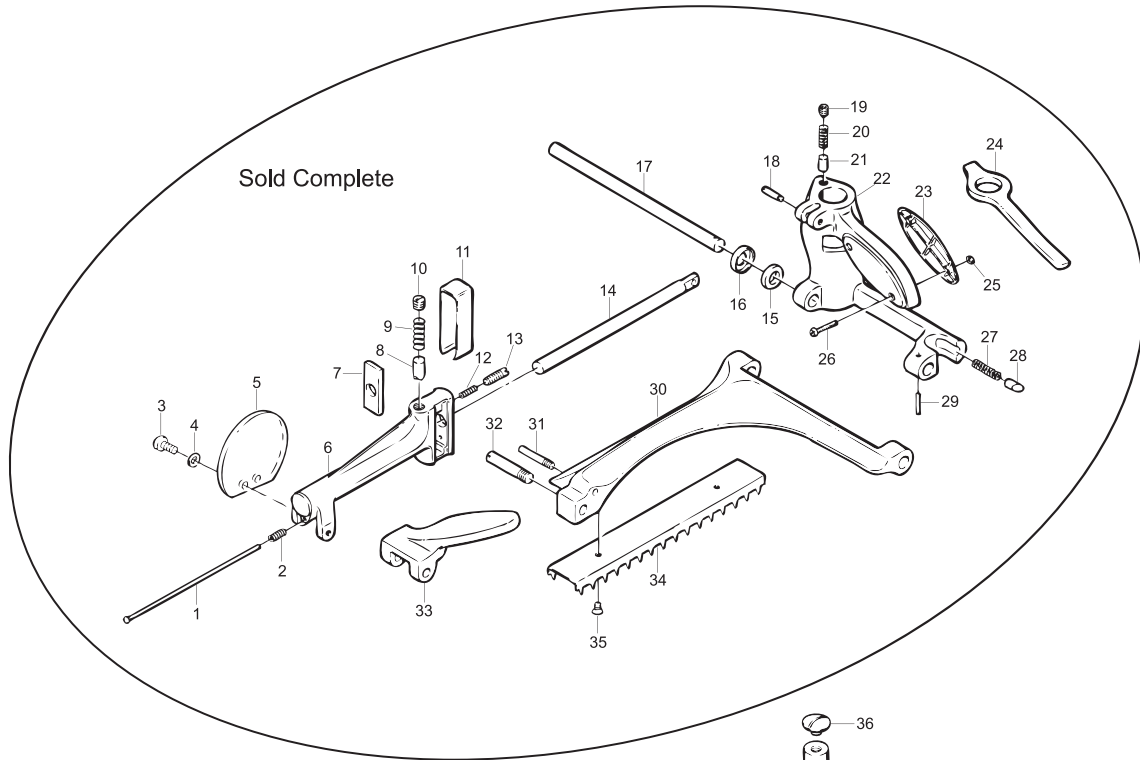
Thickness Adjustor



Parts Breakdown

Model MS-IT-0300-MF 26073

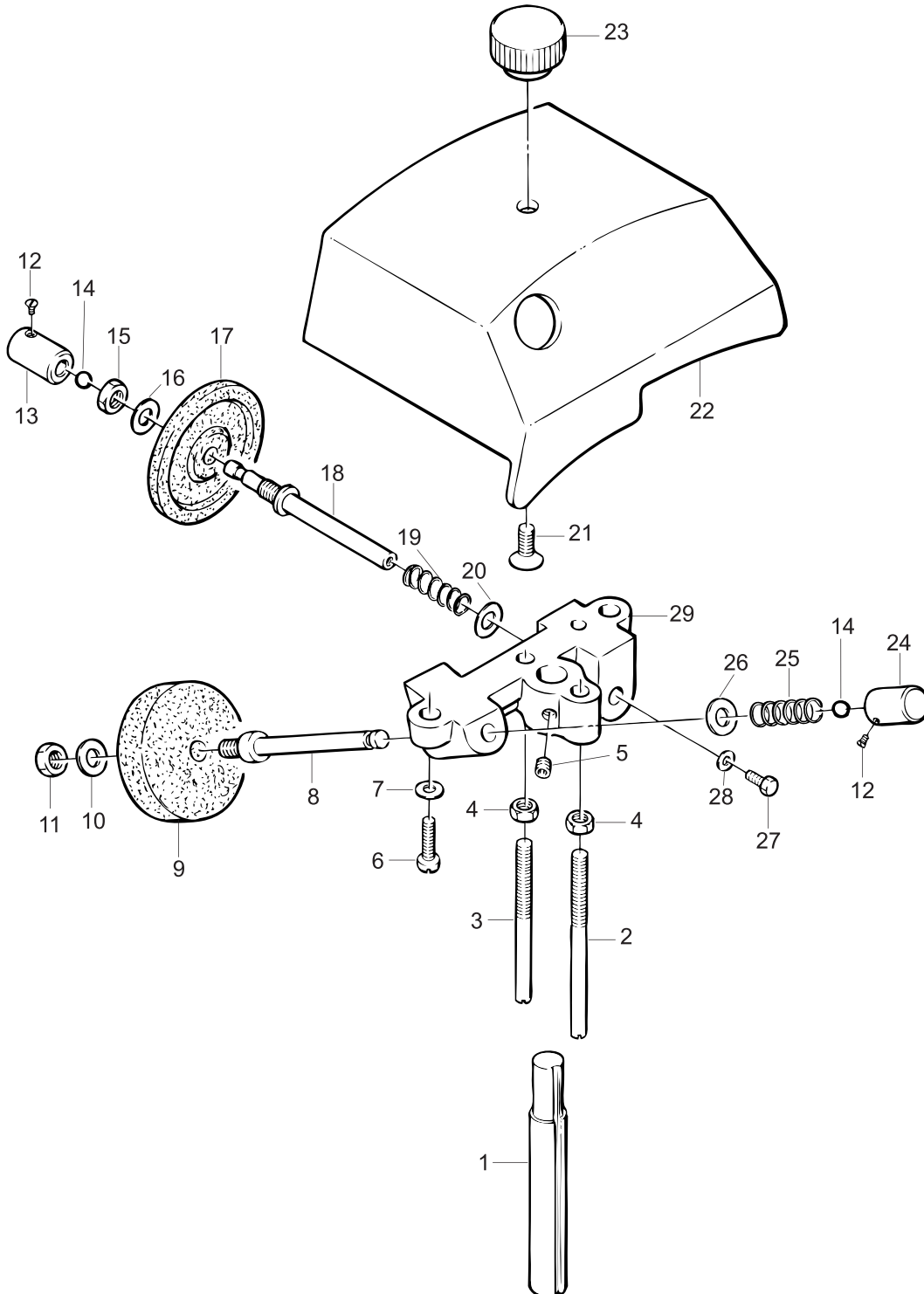
Meat Tray Assembly



Parts Breakdown

Model MS-IT-0300-MF 26073

Sharpening Assembly



Parts Breakdown

Model MS-IT-0300-MF 26073

Base

Item No.	Description	Position	Item No.	Description	Position	Item No.	Description	Position
33047	Screw Chrome for 26073	1	33058	Chain Link for 26073	12	33069	Washer 12 for 26073	23
33048	Meat Grip Handle for 26073	2	33059	Fly Chain for 26073	13	33070	Nut 12 MA for 26073	24
33049	Flywheel Handle Shaft for 26073	3	33060	Set Screw 6x8 for 26073	14	33071	Bronze Bushing 20x25 for 26073	25
33050	Nut 12 MA for 26073	4	33061	Gear Z45 Pig for 26073	15	33072	Gear Pivot for 26073	26
33051	Screw Chrome for 26073	5	33062	Tapered Pin for 26073	16	33073	Tapered Pin for 26073	27
41424	Flower Fly Wheel for 26073	6	33063	Bronze Bushing 20x25 for 26073	17	33074	Gear Z16 for 26073	28
33053	Set Screw 6x8 for 26073	7	33064	Gear Shaft for 26073	18	33075	Gear Z32 for 26073	29
33054	Tapered Pin for 26073	8	33065	Oiler for 26073	19	33076	Tapered Pin for 26073	30
33055	Gear Shaft for 26073	9	33066	Axial Bearing for 26073	20	33077	Gear Z16 for 26073	31
33056	Bronze Bushing 20x25 for 26073	10	33067	Washer for 26073	21	33078	Tapered Pin for 26073	32
33057	Flywheel Casing for 26073	11	33068	Bronze Bushing 20x25 for 26073	22	33079	Spacer for 26073	33

Guide

Item No.	Description	Position	Item No.	Description	Position	Item No.	Description	Position
33080	Thumb Screw for 26073	1	33088	Screw TE 8x30 for 26073	9	33095	Washer 6 for 26073	17
33081	Plate Stop for 26073	2	33089	Screw TC 4x10 for 26073	10	33096	Screw TE 8x20 INOX for 26073	18
33082	Square Bar Support for Plate for 26073	3	37564	Collection Plate for 26073	11	33097	Washer 8 for 26073	19
33083	Washer 8 for 26073	4	33090	Slide Bar Cover for 26073	12	33098	Carriage Rail for 26073	20
33084	Slide Bar Support for 26073	5	33091	Slide Bar Cap for 26073	13	33099	Rail Support for 26073	21
33085	Slide Bar Cap Screw for 26073	6	33092	Carriage Slide Bar for 26073	14	33100	Foot for 26073	22
33086	Slide Bar Cap for 26073	7	33093	Bracket for 26073	15			
33087	Washer 8 for 26073	8	33094	Screw TE 6x16 for 26073	16			

Rapid Approach

Item No.	Description	Position	Item No.	Description	Position	Item No.	Description	Position
33180	Inox Rod 15 for 26073	1	33188	Pin for 26073	9	33196	Screw TE 6x16 for 26073	17
33181	Spring for 26073	2	33189	Lever Plate for 26073	10	33197	Block Door on Plate for 26073	18
33182	Screw TC 4x7 for 26073	3	33190	Support Mount for 26073	11	33198	Washer 6 for 26073	19
33183	Steel Tab for 26073	4	33191	Spring for 26073	12	33199	Bearing 626 ZZ for 26073	20
33184	Bushing 15 for 26073	5	33192	Screw TE 6x16 for 26073	13	33200	Bearing Stud for 26073	21
33185	Set Screw 5x8 for 26073	6	33193	Comb Block for 26073	14	33201	Set Screw 6x8 for 26073	22
33186	Slide for 26073	7	33194	Screw TPSV 4x7 for 26073	15	33202	Screw TE 6x16 for 26073	23
33187	Handle for 26073	8	33195	Pivot Rod for 26073	16			

Parts Breakdown

Model MS-IT-0300-MF 26073

Blade Assembly

Item No.	Description	Position	Item No.	Description	Position	Item No.	Description	Position
33101	Screw Chrome for 26073	1	33115	Washer 8 for 26073	15	33129	Washer 10 for 26073	29
33102	Blade Washer for 26073	2	33116	Carriage Rail for 26073	16	33130	Sharpener Pin for 26073	30
24040	Blade for 26073	3	33117	Carriage Rail Stop for 26073	17	33131	Set Screw 6x8 for 26073	31
33104	Screw TC 5x10 for 26073	4	33118	Thumb Screw for 26073	18	33132	Bearing 6202 ZZ for 26073	32
33105	Blade Ring Guard for 26073	5	33119	Blade Assembly Casing for 26073	19	33133	Spacer Ring for 26073	33
33106	Thumb Screw for 26073	6	33120	Screw TC 3x5 for 26073	20	33134	Bearing Sleeve for 26073	34
33107	Blade Guard for 26073	7	33121	Hinge for 26073	21	33135	Bearing 6202 ZZ for 26073	35
33108	Blade Guard Thumb Screw for 26073	8	33122	Nut 4 MA for 26073	22	33136	Rubber Pin 5x28 for 26073	36
33109	Screw TC 6x12 for 26073	9	33123	Screw TC 4x20 for 26073	23	33137	Gear Pig Z15 for 26073	37
33110	Washer 6 for 26073	10	33124	Meat Deflector for 26073	24	33138	Bearing and Shaft for 26073	38
33111	Chain Guard for 26073	11	33125	Screw TC 4x10 for 26073	25	33139	Set Screw 6x8 for 26073	39
33112	Pin for 26073	12	33126	Washer 5 for 26073	26	33140	Tray for 26073	40
33113	Foot for 26073	13	33127	Blade Shaft Cap for 26073	27	33141	Screw TE 6x16 for 26073	41
33114	Nut 8 MA for 26073	14	33128	Nut 10 MA for 26073	28	33142	Thumb Screw for 26073	42

Cart

Item No.	Description	Position	Item No.	Description	Position	Item No.	Description	Position
33143	Joint Bolt for 26073	1	33156	Screw TE 10x40 for 26073	14	33169	Sharpener Support Bracket for 26073	27
33144	Joint for 26073	2	33157	Plate Base for 26073	15	33170	Set Screw 6x8 for 26073	28
33145	O-Ring for 26073	3	33158	Screw TE 8x20 for 26073	16	33171	Plate Support Bar for 26073	29
33146	Nut 10 for 26073	4	33159	Washer 8 for 26073	17	33172	Slide Bar for 26073	30
33147	Rod Lever for 26073	5	33160	Set Screw 5x8 for 26073	18	33173	Bottom Plate Cover for 26073	31
33148	Nut 10 for 26073	6	33161	Bushing 20x25 for 26073	19	33174	Screw TPSV 3x7 for 26073	32
33149	Support Mount for 26073	7	33162	Carriage Support for 26073	20	33175	Washer 8 for 26073	33
33150	Pin 5x12 INOX for 26073	8	33163	Set Screw 5x8 for 26073	21	33176	Bearing 608 ZZ for 26073	34
33151	Set Screw 6x40 for 26073	9	33164	Bottom Plate for 26073	22	33177	Pin for 26073	35
33152	Washer 12 for 26073	10	33165	Plate Support Bar for 26073	23	33178	Screw TPSV 6x12 for 26073	36
33153	Screw TPSV 8x16 for 26073	11	33166	Screw TPSV 4x18 for 26073	24	33179	Set Screw 6x8 for 26073	37
33154	Washer for 26073	12	33167	Screw TC 5x10 for 26073	25			
33155	Joint for 26073	13	33168	Screw TE 8x20 for 26073	26			

Parts Breakdown

Model MS-IT-0300-MF 26073

Thickness Adjustor

Item No.	Description	Position	Item No.	Description	Position	Item No.	Description	Position
33203	Handle for 26073	1	33216	Set Screw 6x6 for 26073	14	33229	Screw TPSV 4x10 for 26073	27
33204	Set Screw 5x8 for 26073	2	33217	Screw TC 4x5 Inox for 26073	15	33231	Feed Screw Shaft for 26073	29
33205	Spring for 26073	3	33218	Washer 4 for 26073	16	33232	O-Ring for 26073	30
33206	Adjustment Wheel for 26073	4	33219	Small Spring for 26073	17	33233	Washer 6 for 26073	31
33207	Cam for 26073	5	33220	Screw TE 6x16 for 26073	18	33234	Nut with Non-Stick Coating for 26073	32
33208	Indicator Numbers for 26073	6	33221	Small Skip Latch for 26073	19	33235	Nut for 26073	33
33209	Copper Rivet for 26073	7	33222	Big Skip Latch for 26073	20	33236	Screw TC 4x16 for 26073	34
33210	Screw TC 5x10 for 26073	8	33223	Set Screw for 26073	21	33237	Large Spring for 26073	35
33211	Set Screw for 26073	9	33224	Set Screw PVC 8 for 26073	22	33238	Set Screw for 26073	36
33212	Screw TC 4x10 for 26073	10	33225	Skip Block for 26073	23	33239	Washer 8 for 26073	37
33213	Washer for 26073	11	33226	Washer 6 for 26073	24	33240	Nut 8 for 26073	38
33214	Bracket for 26073	12	33227	Screw TE 6x20 for 26073	25			
33215	Gear for 26073	13	33228	Bushing 12 for 26073	26			

Meat Tray Assembly

Item No.	Description	Position	Item No.	Description	Position	Item No.	Description	Position
33241	Complete Arm Assembly for 26073	1 - 35	33245	Spacer for 26073	39	33249	Plate Lock for 26073	43
33242	Screw Chrome for 26073	36	33470	Index Knob for 26073	40	33250	Top Plate for 26073	44
33243	Long Column for 26073	37	33247	Set Screw 12 for 26073	41			
33244	Short Column for 26073	38	33248	Screw TPSV 4x10 for 26073	42			

Sharpening Assembly

Item No.	Description	Position	Item No.	Description	Position	Item No.	Description	Position
33251	Shaft for Sharpener for 26073	1	33261	Push Button Screw for 26073	12	33268	Washer 6 for 26073	20
33252	Pin for 26073	2	31196	Screw for 26073	12	33269	Screw TPSV 6x12 for 26073	21
33253	Pin for 26073	3	31197	Sharpener Push Pin for 26073	13	33270	Sharpener Cover for 26073	22
33254	Nut 5 for 26073	4	33262	Sharpener Push Button for 26073	13	33271	Sharpener Cover Knob for 26073	23
33255	Set Screw 6x8 for 26073	5	33263	Ball Bearing for 26073	14	33272	Sharpener Push Button for 26073	24
33256	Screw TC 4x16 for 26073	6	33264	Nut 6 for 26073	15	33273	Spring for 26073	25
33257	Washer 5 for 26073	7	33265	Washer 6 for 26073	16	33274	Washer for 26073	26
33258	Sharpener Pin for 26073	8	33545	45x13x6 Sharpening Stone for 26073	17	33275	Screw TC 3 for 26073	27
33553	Finishing Stone for 26073	9	33266	Sharpener Pin for 26073	18	33276	Washer 3 for 26073	28
33259	Washer 6 for 26073	10	31198	Shaft for 26073	18	33277	Sharpener Body for 26073	29
33260	Nut 6 for 26073	11	33267	Spring for 26073	19			