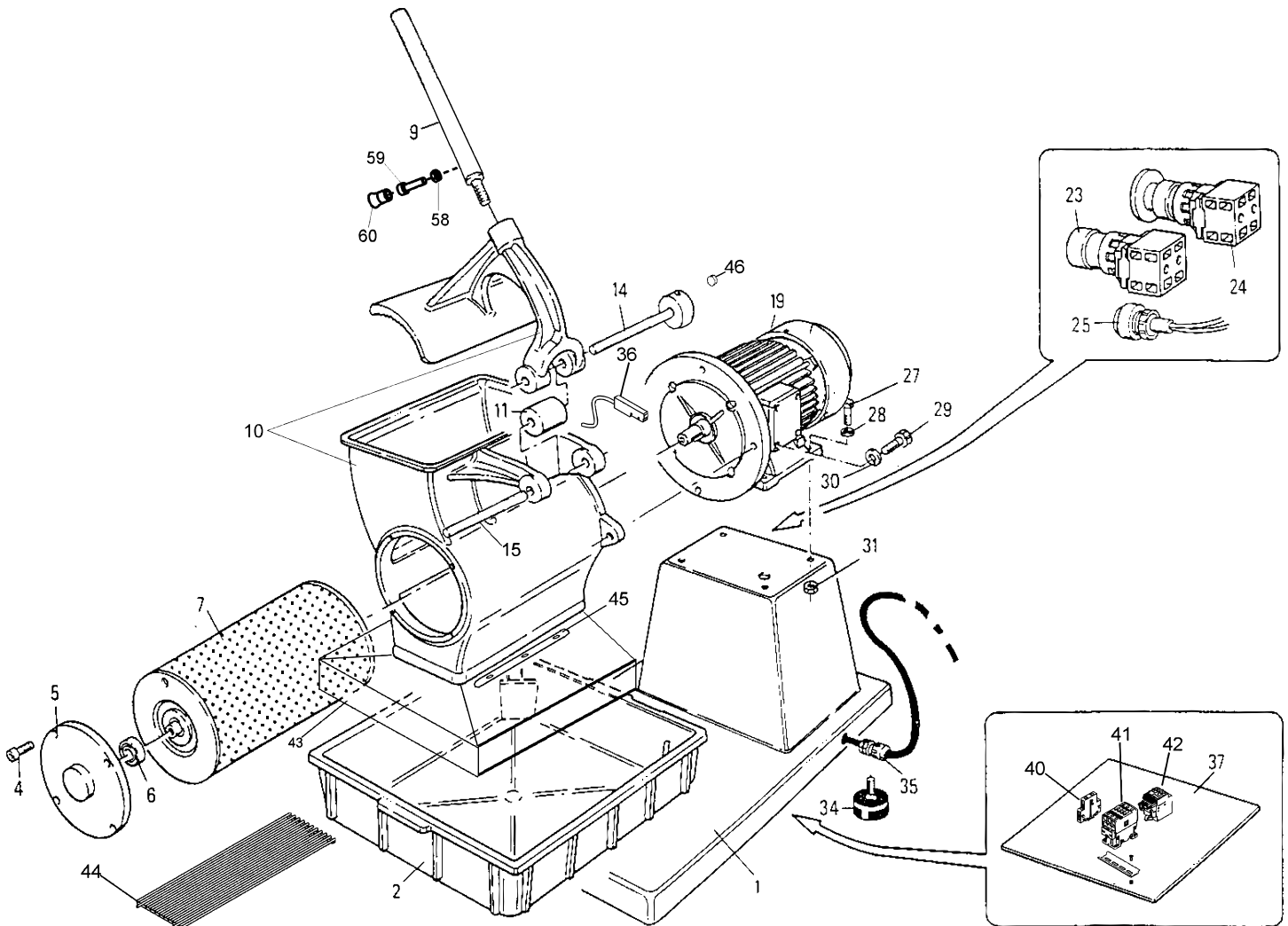


# PARTS BREAKDOWN

ITEM	MODEL
39498	GR-IT-2983-B



# PARTS BREAKDOWN

ITEM	MODEL
39498	GR-IT-2983-B

Item No.	Description	Position	Item No.	Description	Position	Item No.	Description	Position
37245	Base for 39498	1	17761	On Button for 39498	23	39667	Remote Control Board AF 26-30-00-13 110/230 60Hz for 39498	41
37246	Plastic Tray for 39498	2	17762	Emergency Stop Button for 39498	24	66632	Terminal Protection 13-16A ABB TF 42-16 for 39498	42
37248	Drum Casing Cover for 39498	5	37255	Pilot Lamp 220V for 39498	25	37259	Clear Tray Cover for 39498	43
67558	Ball Bearing 6203 2RS for 39498	6	AH024	Screw TE DIN 933 M10x30 for 39498	27	A1402	Grid IX Mouth Protection for 39498	44
16468	Drum for 39498	7	62665	Screw TE DIN 933 M12x30 for 39498	29	37261	Aluminum Bracket for Plastic Cover INOX for 39498	45
26078	Handle for 39498	9	AH027	Nut ES. DIN 934 M10 for 39498	30	18960	Magnet for SO Anodized for 39498	46
21849	Mouth / Pusher for 39498	10	67560	Rubber Foot 40x35 PM M8x10 for 39498	34	A1403	Hex.Nut DIN 934 M5 for 39498	58
37250	Lever Spacer for 39498	11	61604	Strain Relief + Nut for 39498	35	A1404	Screw TCEI DIN 912 M5x20 for 39498	59
37251	Shaft for 39498	14	66630	Microswitch E531 TA 250VAC 3A for 39498	36	A1405	Insoles with External Toe Tips Diam 6x17 for 39498	60
37252	Lever Shaft for 39498	15	37257	Bottom Cover for 39498	37			
67559	Complete Three Phase Motor for 39498	19	39668	Contactora AUS LAT x AF 26-30-00-13 ABB for 39498	40			