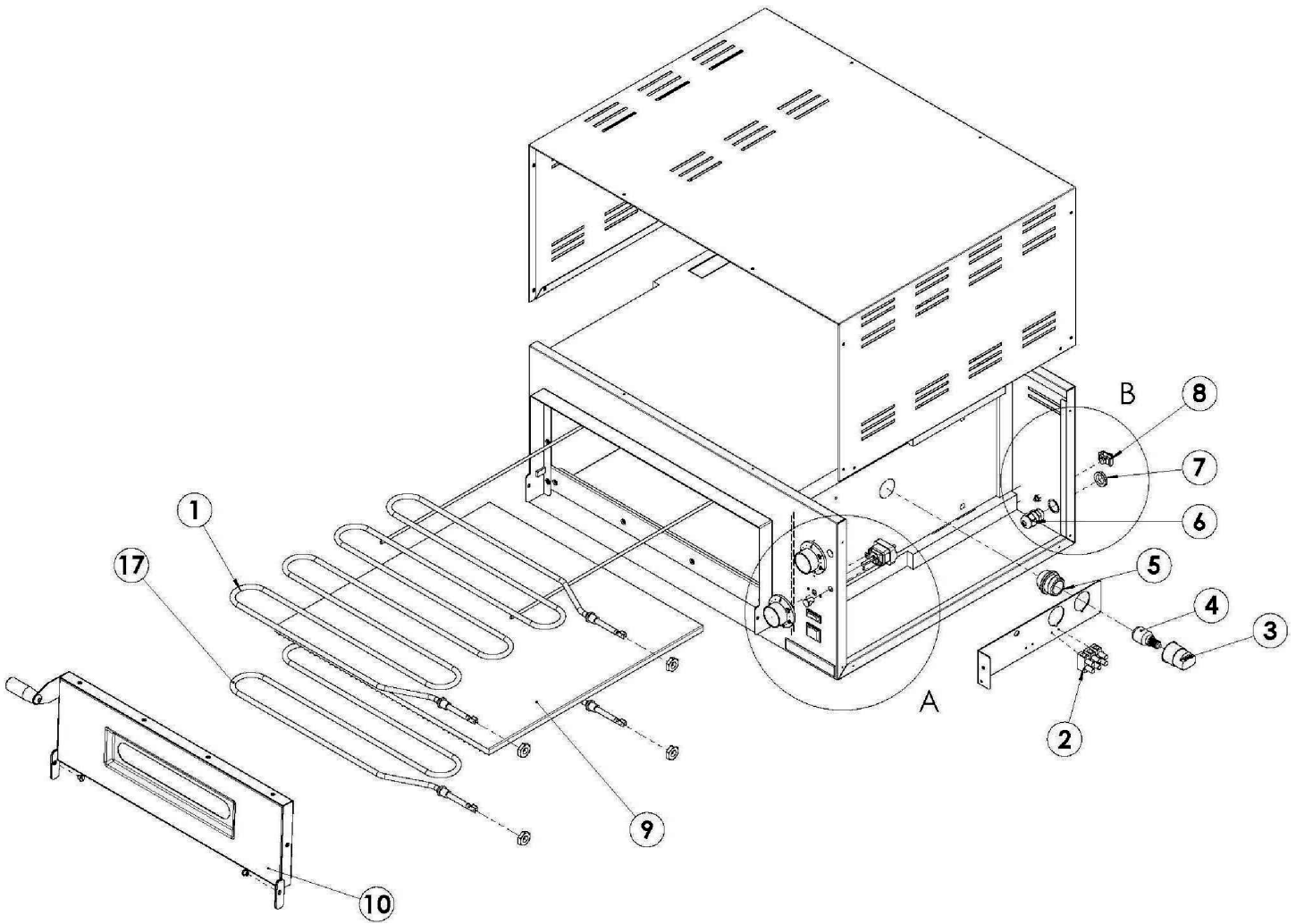


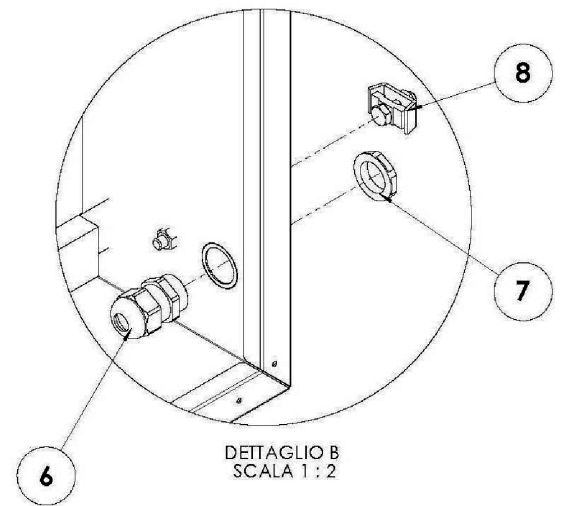
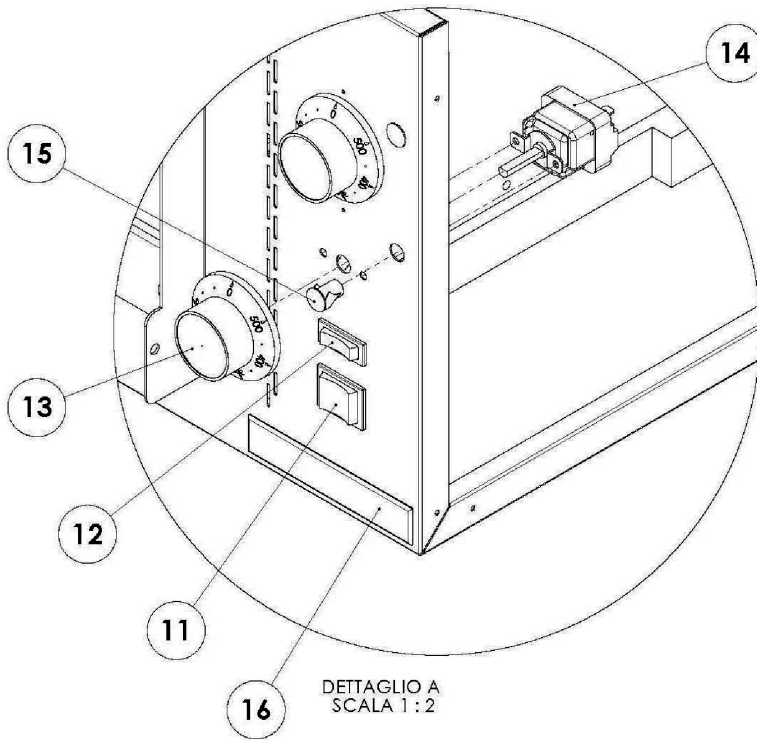
PARTS BREAKDOWN

ITEM	MODEL
40633	PE-IT-0005



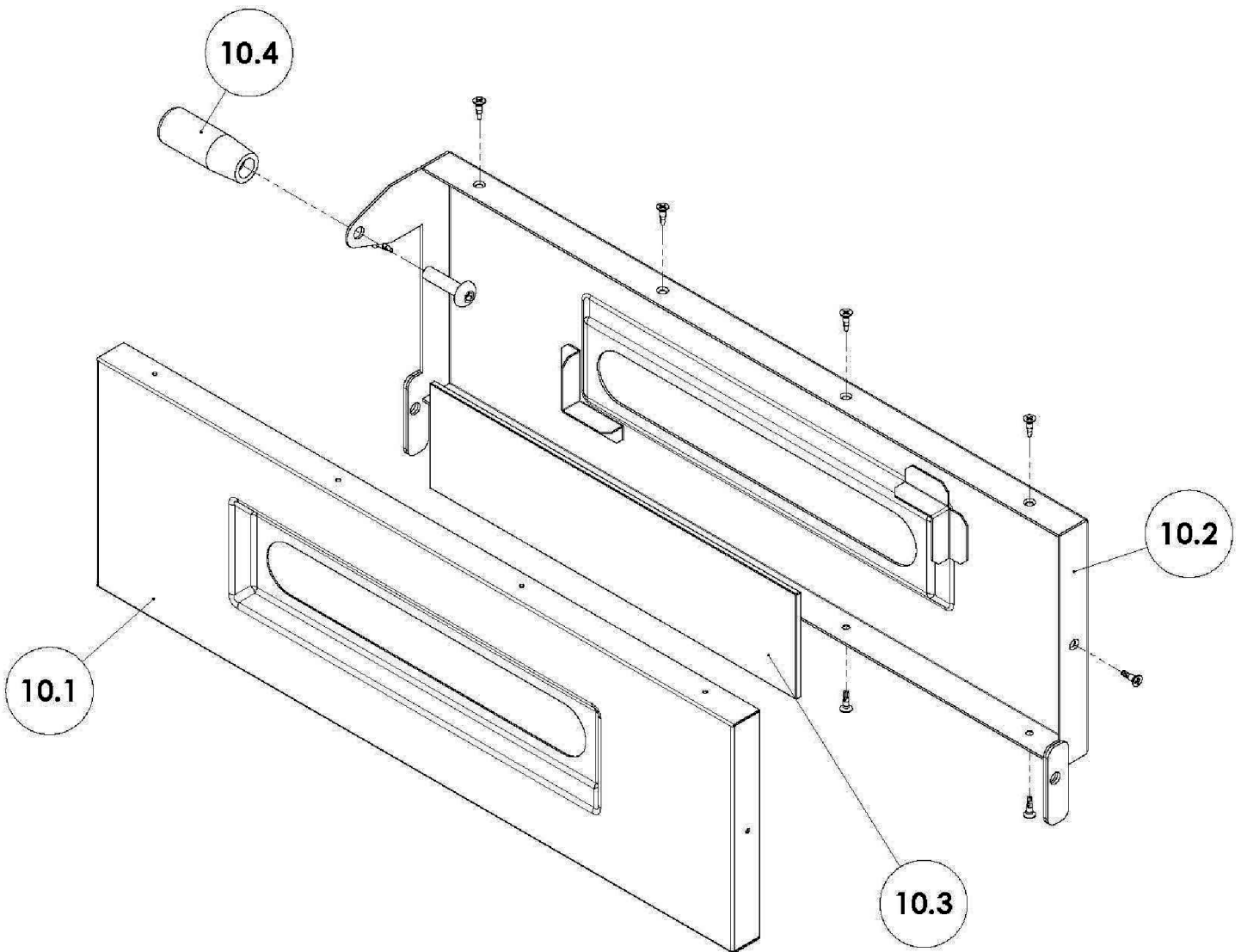
PARTS BREAKDOWN

ITEM	MODEL
40633	PE-IT-0005



PARTS BREAKDOWN

ITEM	MODEL
40633	PE-IT-0005



PARTS BREAKDOWN

ITEM	MODEL
40633	PE-IT-0005

Item No.	Description	Position	Item No.	Description	Position	Item No.	Description	Position
42830	Heating Element 1400W 230V for 40633	1	42839	Ensemble Door for 40633	10	AM897	Unipolar Thermostat Ego 450 Deg - (55.19082.805 - EU) for 40633	14
42831	Terminal Board PA220FV 12 Poles 16sqmm 750V-76A for 40633	2	42840	Door for 40633	10.1	65541	Pilot Light 250V for 40633	15
42040	Lamp Holder E14 Code BJB77.222 for 40633	3	42841	Door Internal Panel Assembly for 40633	10.2	42849	Resin Bonded Label for 40633	16
43657	Lamp 25W 240V COD2540 for 40633	4	42842	Pyroceram 300 x 75 x 4mm for 40633	10.3	42859	Heating Element 230V for 40633	17
42046	Dome-Form Lamp Glass 77.222.-503.00 for 40633	5	42843	Elesa Handle for 40633	10.4	AM699	Thermostat Probe Support Safety T.D. 8438.90.00 (Bracket) for 40633	
72483	Cable Fastener for 40633	6, 7	42844	Luminous Bi-Polar Switch 0-1 CV2 for 40633	11	AM700	Unipolar Safety Thermostat 512TH - UL (55.13584.010) T.D. 8514.90.70 for 40633	
42837	Equipotential Attachment (OBO. T5012+OBO.5016M5) for 40633	8	42048	Luminous Unipolar Red Switch for 40633	12	AM701	Vite TC+ Autofor. 3.9x13 ZN NR 24.00 N8E T.D. 7318.12.10 for 40633	
42838	Brick 350 x 350 x 19 for 40633	9	65540	Thermostat Knob AP10 (Deg C) for 40633	13			