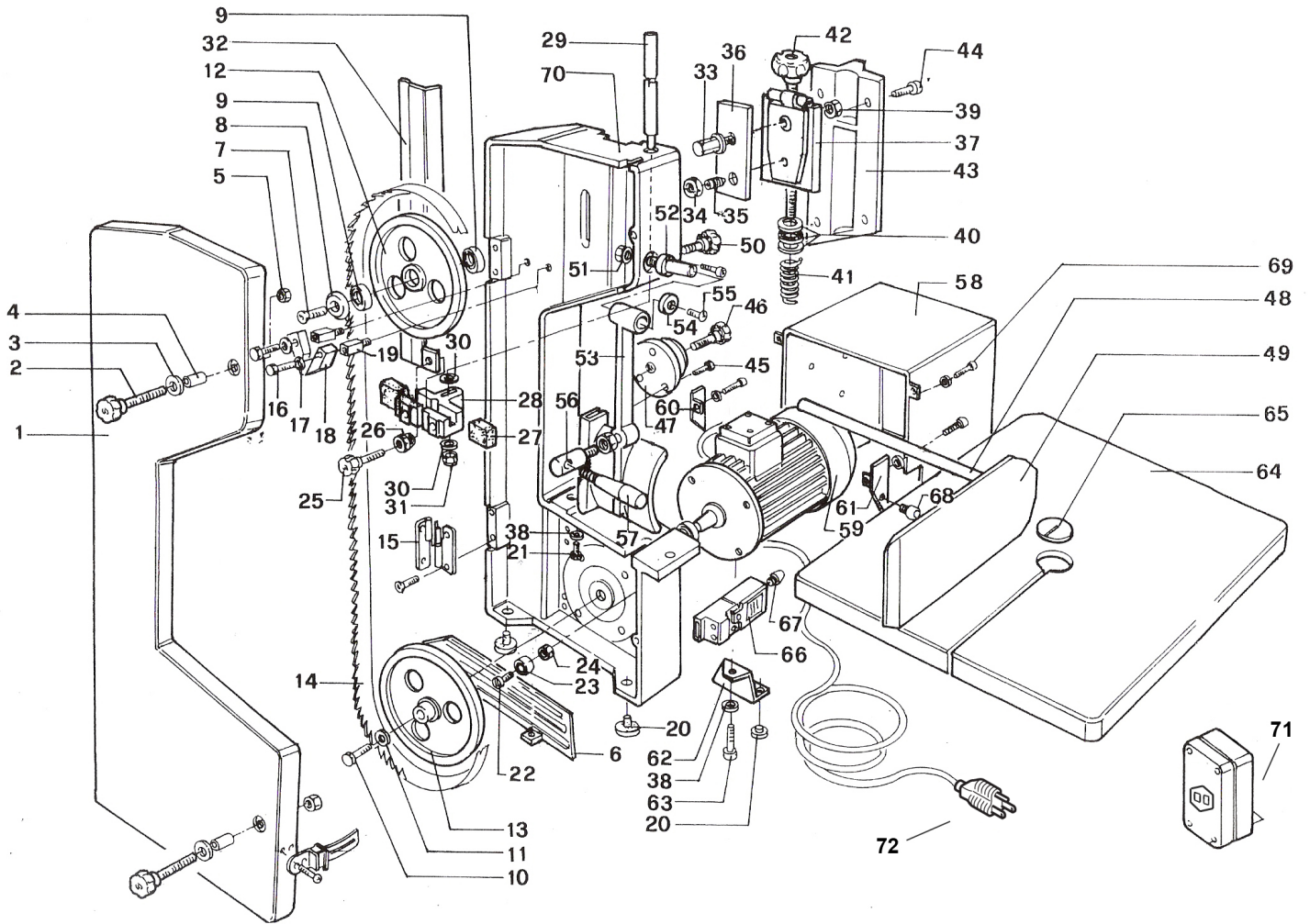


PARTS BREAKDOWN

ITEM	MODEL
45507	BS-IT-1829-L



PARTS BREAKDOWN

ITEM	MODEL
45507	BS-IT-1829-L

Item No.	Description	Position	Item No.	Description	Position
34915	Door for 45507	1	34942	Washer for 45507	30
34916	Knob to Close the Opening for 45507	2	34943	Nut for 45507	31
34917	Washer for 45507	3	19953	Blade Protection for 45507	32
34918	Brass Closing Screw for 45507	4	34944	Upper Fly-Wheel Pivot for 45507	33
34919	Nut for 45507	5	34945	Nut for 45507	34
34920	Lower Protection for 45507	6	34946	Adjustment Fly-Wheel Screw for 45507	35
34921	Upper Fly-Wheel Screw for 45507	7	34947	Lamination for 45507	36
34922	Screw to Protect from Dust for 45507	8	34948	Slide for 45507	37
34923	Bearing 6203 2RS for 45507	9	34949	Washer for 45507	38
34924	Lower Fly-Wheel Screw for 45507	10	34950	Nut for 45507	39
34925	Screw for 45507	11	34951	Tension Grip Bearing for 45507	40
19950	Upper Fly-Wheel for 45507	12	34952	Tension Grip Spring for 45507	41
19951	Lower Fly-Wheel for 45507	13	34953	Tension Grip Knob for 45507	42
10328	72 Band Saw Blade 322 for 45507	14	34954	Opening for 45507	43
34927	Hinge for 45507	15	34955	Screw for 45507	44
34928	Screw for 45507	16	34956	Screw to Support Cutting Guide for 45507	45
34929	Washer for 45507	17	34957	Knob to Support Guide for 45507	46
34930	Shavehook for 45507	18	34958	Cutting Guide Support for 45507	47
34931	Shavehook Pivot for 45507	19	34959	Cutting Guide Pole for 45507	48
34932	Rubber Foot for 45507	20	34960	Cutting Guide (Height 105mm) for 45507	49
34933	Screw to Fase the Working Surface for 45507	21	34961	Knob of the Transporter Guide Pole for 45507	50
34934	Bearing Pivot for 45507	22	34962	Nut for 45507	51
34935	Bearing to Control the Push for 45507	23	34963	Pivot Meat Pusher for 45507	52
34936	Nut for 45507	24	34964	Meat Pusher for 45507	53
34937	Knob - Blade Guide for 45507	25	34965	Washer for 45507	54
34938	Blade Guide Ring Nut in Aluminum for 45507	26	34966	Screw for 45507	55
34939	Blade Guide Plug for 45507	27	34967	Connection of Knob Meat Pusher for 45507	56
34940	Blade Guide in Aluminum for 45507	28	34968	Knob Meat Pusher for 45507	57
34941	Blade Guide Pole for 45507	29	34969	Motor Cover for 45507	58

PARTS BREAKDOWN

ITEM	MODEL
45507	BS-IT-1829-L

Item No.	Description	Position	Item No.	Description	Position
34970	Motor for 45507	59	34976	Cable Closer PG 11 for 45507	67
34973	Motor Support for 45507	62	34978	Screw for 45507	69
34974	Screw for 45507	63	34979	Housing for 45507	70
34975	Meat Table for 45507	64	44776	New Style Rotary Switch and Safety Relay and Box for 45507	71
17853	Bakelite Plate for 45507	65	34981	Power Cord for 45507	72
19954	Microswitch for 45507	66			