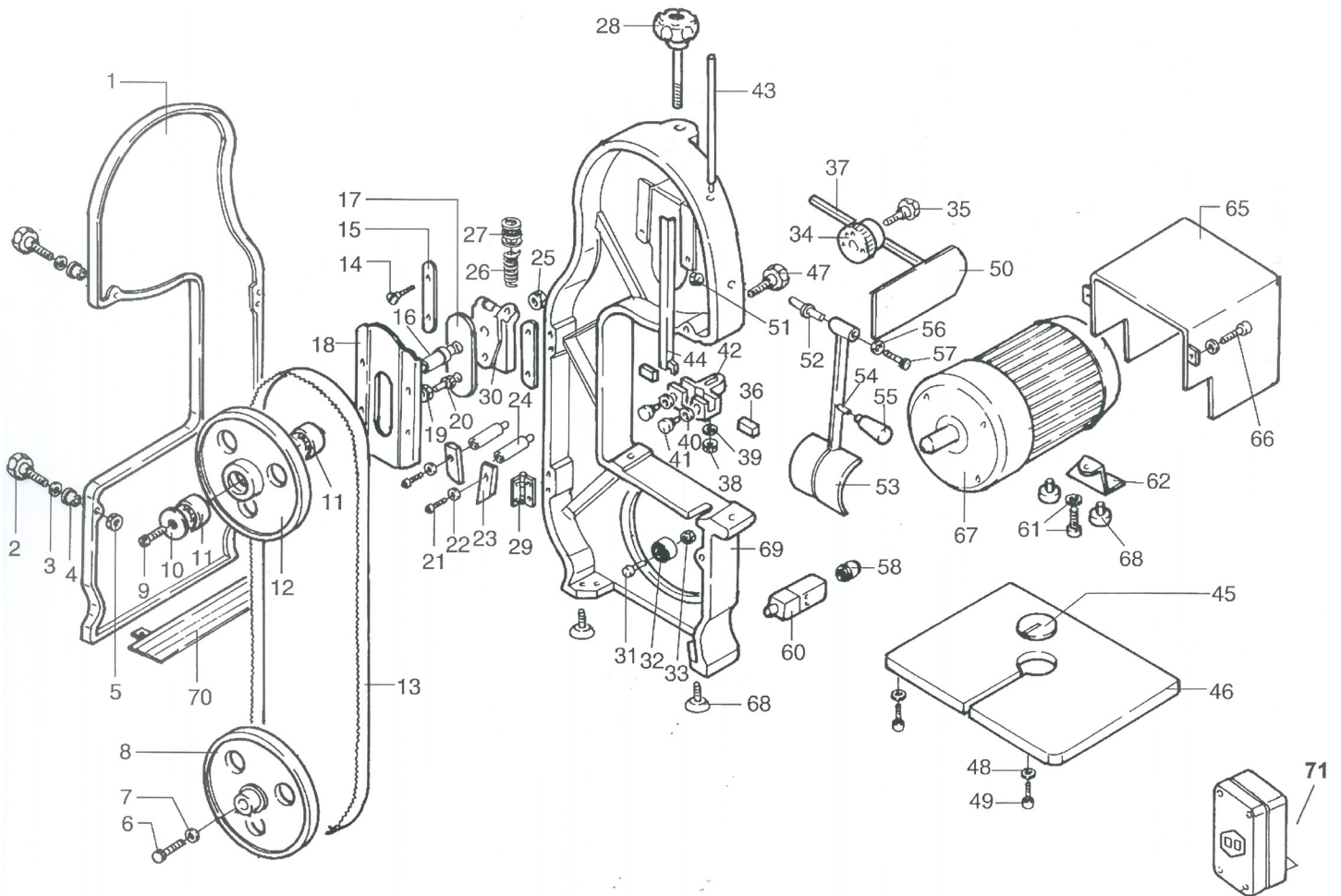


PARTS BREAKDOWN

ITEM	MODEL
45559	BS-IT-1524



PARTS BREAKDOWN

ITEM	MODEL
45559	BS-IT-1524

Item No.	Description	Position	Item No.	Description	Position
34880	Door for 45559	1	34898	Cutting Guide (Height 95mm) and Pole for 45559	37, 50
16445	Knob to Close the Opening Complete for 45559	2 - 5	34900	Nut and Washer for 45559	38, 39
34882	Lower Fly-Wheel Screw and Washer for 45559	6, 7	34901	Blade Guide Ring Nut in Aluminum for 45559	40
17777	Lower Fly-Wheel for 45559	8	34902	Blade Guide Knob for 45559	41
34885	Fly-Wheel and Screw to Protect from Dust for 45559	9, 10	17774	Blade Guide for 45559	42
34886	Bearing 6203 2RS for 45559	11	34903	Blade Guide Pole for 45559	43
34887	Upper Fly-Wheel for 45559	12	17775	Blade Protection for 45559	44
10316	60 Band Saw Blade 322 for 45559	13	17853	Bakelite Plate for 45559	45
34888	Washer Support and Screw for 45559	14, 15	34906	Working Table 33cmx33cm for 45559	46, 48, 49
34889	Pivot Upper Fly-Wheel for 45559	16, 25	17772	Knob of the Blade Guide Pole for 45559	47
34890	Lamination for 45559	17	41245	Meat Pusher for 45559	51 - 57
34891	Tension Slide for 45559	18	34912	Microswitch for 45559	60
34892	Adjustment Fly-Wheel Screw and Nut for 45559	19, 20	AP823	Motor Support Screw + Washer + Nut for 45559	61
22052	Shavehook for 45559	21 - 23	AP824	Motor Support for 45559	62
34908	Shavehook Pivot for 45559	24	34913	Motor Cover for 45559	65
34894	Tension Grip Spring for 45559	26	AP825	Screw and Washer Case Cap Motor for 45559	66
34895	Tension Grip Bearing for 45559	27	17768	Motor Single-Phase for 45559	67
34896	Tension Grip Knob for 45559	28	20206	Rubber Foot for 45559	68
34897	Hinge for 45559	29	34909	Housing for 45559	69
34893	Slide for 45559	30	AP826	Lower Guard for 45559	70
17770	Pivot and Bearing for 45559	31 - 33	44776	New Style Rotary Switch and Safety Relay and Box for 45559	71
17771	Cutting Guide Support and Knob for 45559	34, 35	34911	Plug for 45559	
16447	Blade Guide Insert for 45559	36			