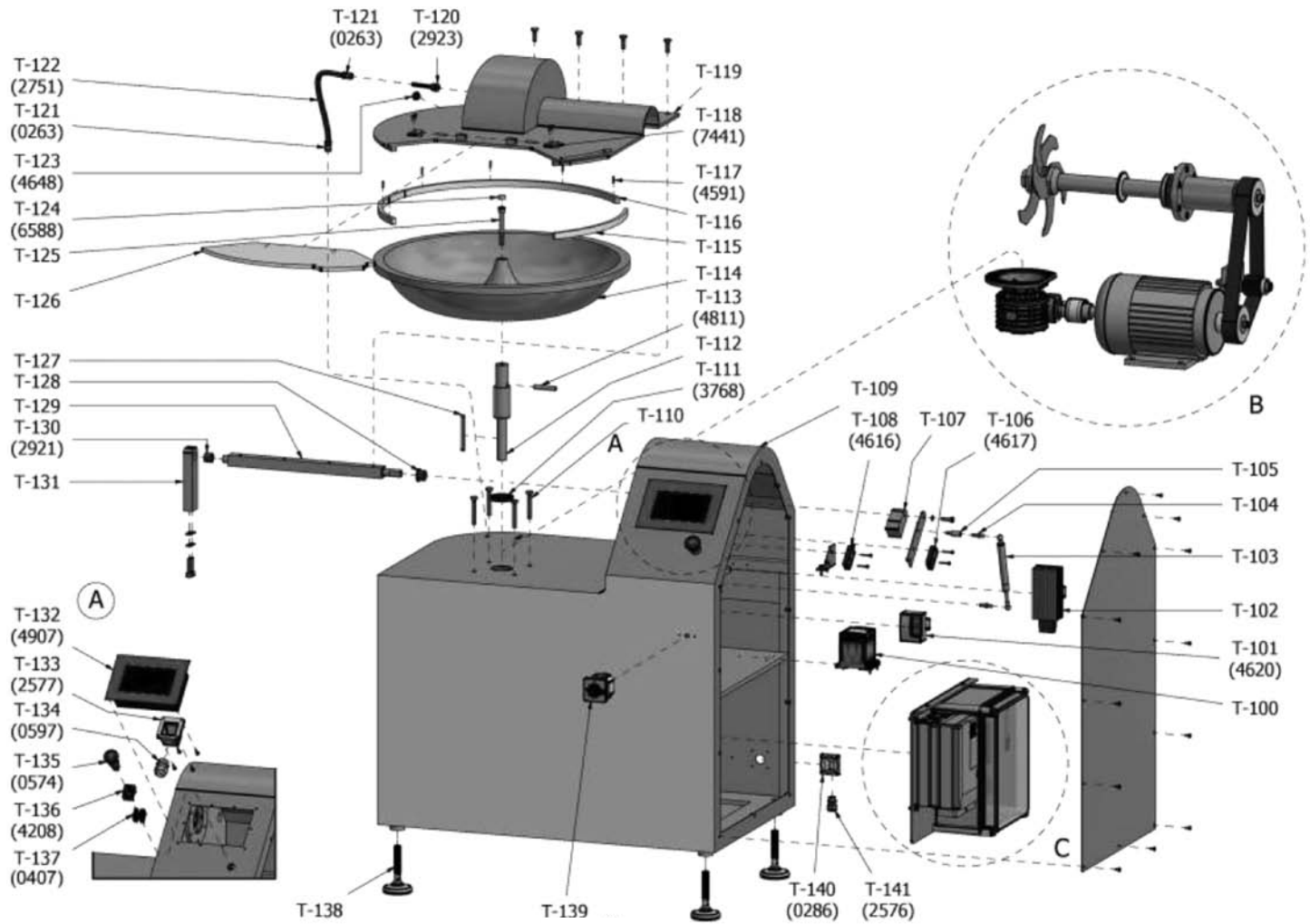


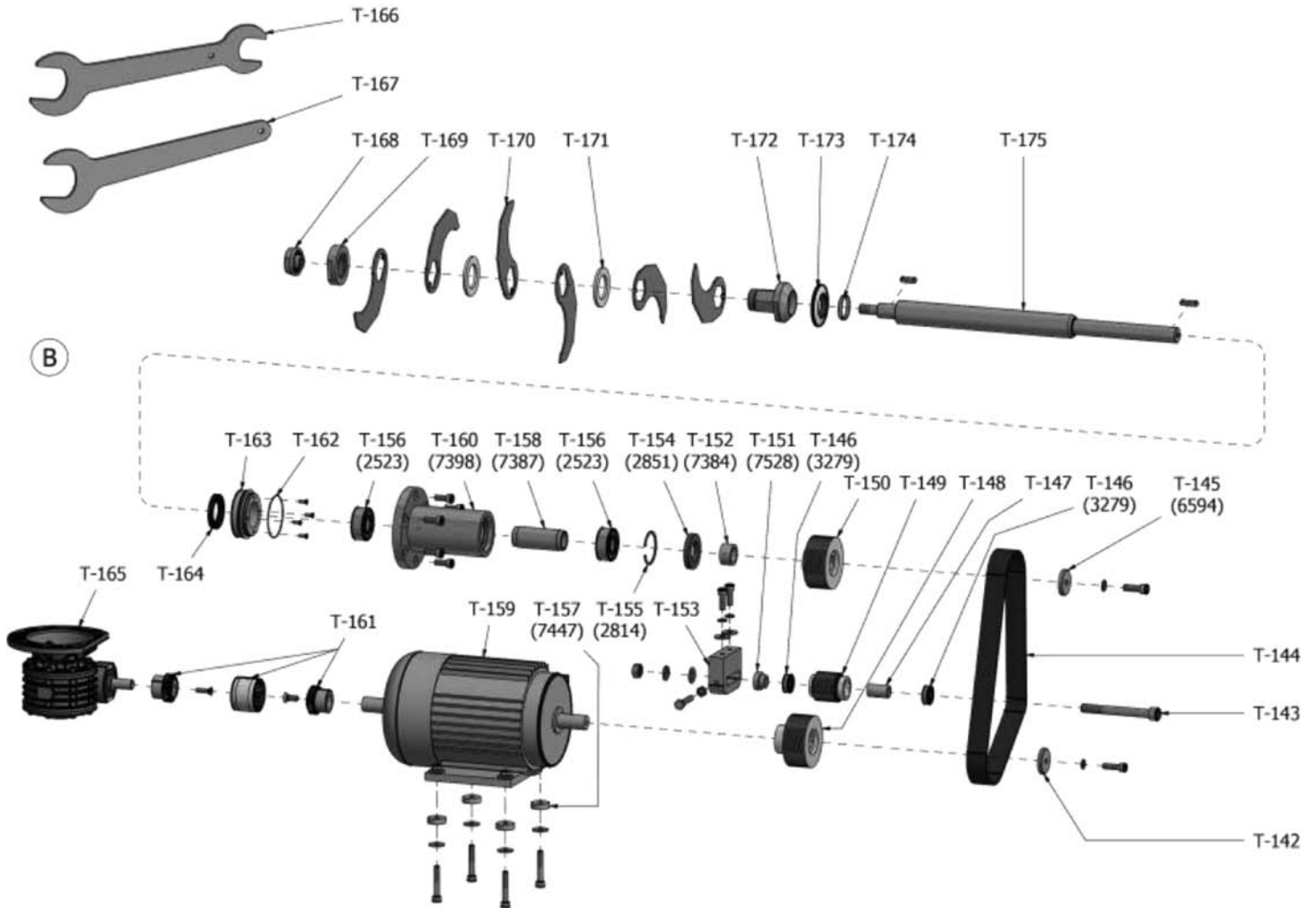
# Parts Breakdown

Model FP-ES-0015 46215



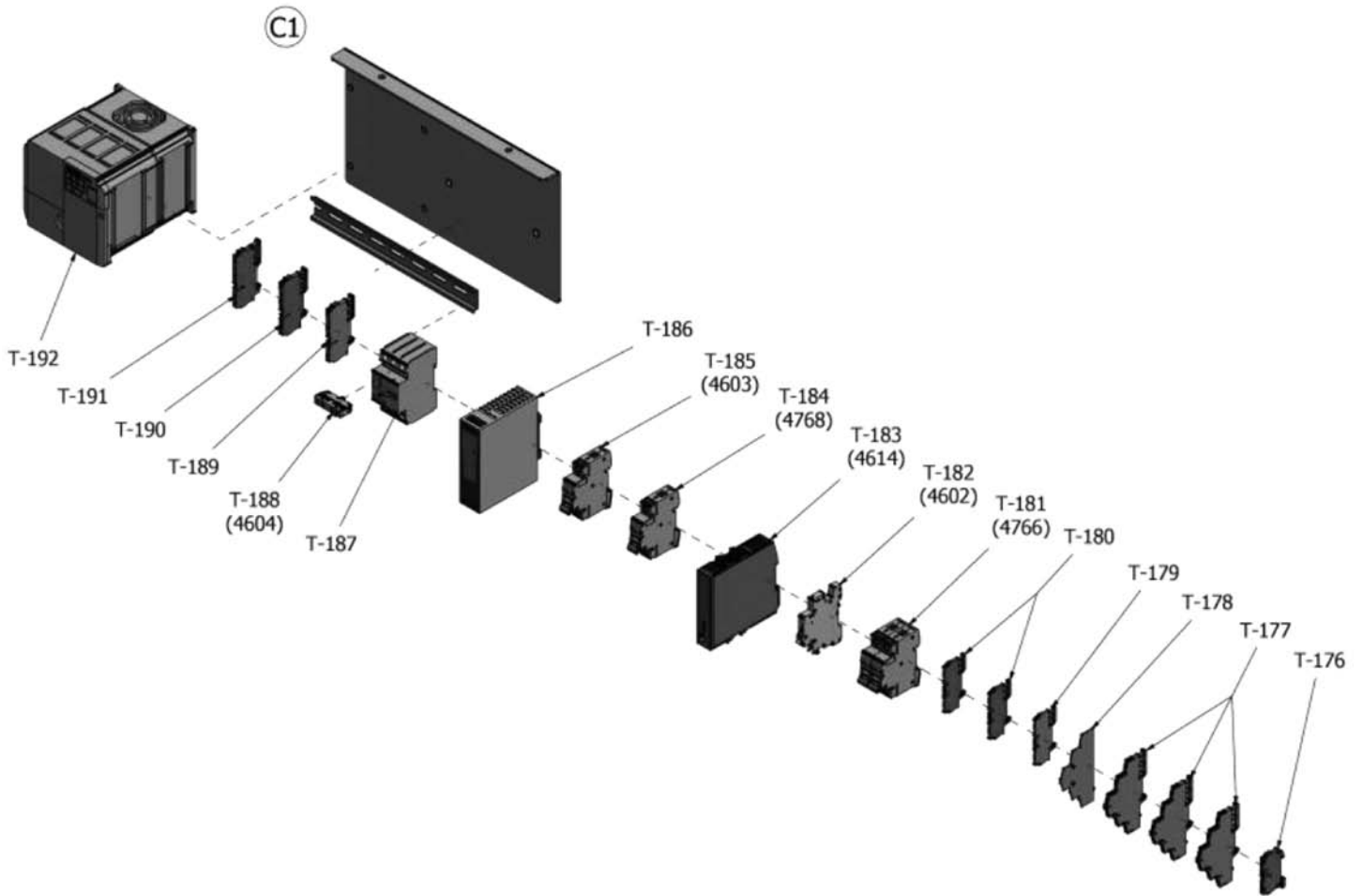
# Parts Breakdown

Model FP-ES-0015 46215



# Parts Breakdown

Model FP-ES-0015 46215



# Parts Breakdown

## Model FP-ES-0015 46215

Item No.	Description	Position	Item No.	Description	Position	Item No.	Description	Position
AD429	Hygro-Thermostat 240V for 46215	T-101	36164	Bronze Bushing B11 A-20-25-20 2nd Holder Column Stainless Steel Lid for 46215	T-130	36117	Ball Bearing SKF (2 Shaft) for 46215	T-156
AF283	Electric Heater with Ventilation 75W for 46215	T-102	36163	Column Steel Inox Soporte Lid for 46215	T-131	36131	Motor Holder Aluminio D.35 D.10mm for 46215	T-157
AD433	Detector ABB EVE for 46215	T-106	AD450	Control Panel Cutter, Touch Screen 7" for 46215	T-132	36119	Socket Separator Bearings for 46215	T-158
AF284	Cam Stop Lid for 46215	T-107	AD451	Angular Grommet 90° Grey for 46215	T-133	AF300	Motor for 46215	T-159
AD435	Detector ABB ADAM for 46215	T-108	AD452	Grommet Grey for 46215	T-134	36118	Knife Shaft Holder (Torpedo) Suelto without Accessories for 46215	T-160
AF285	Cabinet with Access Panel + Bottom Plate for 46215	T-109	36292	Head Pushbutton Mushroom Red D.40 Locking TE ZB4-BS54 (Turn) for 46215	T-135	36123	Coupling Elastic Bowex M24 (2 Steel Parts/1 Plastic Ring)(Gearbox-Motor) for 46215	T-161
AF286	Stainless Steel Hexagonal Screw for 46215	T-110	AD453	Metallic Holder Emergency Stop Mushroom for 46215	T-136	36140	O-Ring INT. Diam. 75 2 NBR872 (EMBELLECEDOR) for 46215	T-162
AD438	Gasket for 46215	T-111	AD454	Contact Chamber for 46215	T-137	36141	EMBELLECEDOR Axis Knives Steel Inox for 46215	T-163
AF287	Gearbox Drive Shaft Bowl AISI303 for 46215	T-112	AF294	Foot Stainless Steel for 46215	T-138	36143	Brushing Gasket Knife-Shaft for 46215	T-164
AD440	Cylindrical Pin Gearbox Shaft for 46215	T-113	AF295	Switch 3 Phases 200-240V 50/60Hz for 46215	T-139	36138	Gearbox, MI-50F REL.1/100, PAM-B14 (14x105) (Cutter) for 46215	T-165
AF288	Bowl Stainless Steel for 46215	T-114	AD457	Angular Grommet 90° Grey for 46215	T-140	36112	Knife Dismantling Wrench 36/55mm (Combined) for 46215	T-166
AF289	Minor Bowl-Lid Friction Band for 46215	T-115	AD458	Grommet Grey Threaded for 46215	T-141	36113	Knife Dismantling Wrench 55mm for 46215	T-167
AF290	Main Bowl-Lid Friction Band for 46215	T-116	36134	Washer Knife Motor Pulley for 46215	T-142	36153	Blocked Nut End of Knife Shaft M15 1.5 Counter-Clockwise Thread Stainless Steel for 46215	T-168
AD443	Spring Positioner (Friction Band) for 46215	T-117	AF296	Allen Screw Stainless Steel M16x140 for 46215	T-143	36152	Knife Fixing Nut, Counter-Clockwise, 2-Surface, Stainless Steel for 46215	T-169
36160	Hinges Set Right/Left Stainless Steel Anti-Noise Lid for 46215	T-118	AF297	Toothed Belt, Poly-V Multi-Rib 889 PJ9 Width 21mm for 46215	T-144	27885	Knife Cutter 4C Flat for 46215	T-170
AF291	Stainless Steel Lid for 46215	T-119	AD461	Washer, D.12.5xD.50x8mm for 46215	T-145	AF302	Spacer Ring 6 Knives, White (10mm) for 46215	T-171
36156	Stainless Steel Probe D.10 15 3M Digital Thermometer for 46215	T-120	36174	Ball Bearing SKF (Turnbuckle Pulley HTD 2) for 46215	T-146	AF303	Spacer Ring 3 Knives, White (13,5mm) for 46215	T-171
AD445	Grommet Grey for 46215	T-121	36175	Spacer Ring Ball Bearings Turnbuckle HTD D.24 20.5 for 46215	T-147	36149	Hexagonal Knife Holder M36 2 Counter-Clockwise Stainless Steel for 46215	T-172
36158	Protection Tube Reforced D.10/PG9 Thermometer Sensor (Probe Cutters) for 46215	T-122	AF298	Pulley, Poly-V D.100x60 (Motor) for 46215	T-148	AF304	Plastic Ring, Knife Shaft Meat Separator for 46215	T-173
76716	Transparent Anti-Noise Lid for 46215	T-123	36173	Belt Turnbuckle Pulley HTD 22-8M-30 for 46215	T-149	36146	O-Ring INT. Diam. 39 2 NBR872 (2 Ring Diffusor) for 46215	T-174
AD446	Cover for Center Bowl Screw for 46215	T-124	AF299	Pulley, Poly-V D.100x60 (Knives Shaft) for 46215	T-150	36144	Knife-Head Shaft, Stainless Steel for 46215	T-175
AE225	Allen Screw Bowl Center Stainless Steel for 46215	T-125	36172	Washer Pulley Turnbuckle HTD D.35 16.2 24.5 for 46215	T-151	AF305	Individual Terminal Block, WEIDMÜLLER ZPE for 46215	T-176
36154	Transparent Plastic Lid Anti-Noise for 46215	T-126	36130	Socket Pulley Knife Shaft D.40 30 22 2 for 46215	T-152	AF306	Individual Terminal Block, WEIDMÜLLER ZDL 2,5-2N for 46215	T-177
AF292	Key Pin AISI304 for 46215	T-127	36171	Holder Turnbuckle Belt HTD for 46215	T-153	AF307	Lid WEIDMÜLLER ZAP/TW ZDL 2.5-2N for 46215	T-178
36114	Bronze Bushing B11 B-18-25-20/32-4 with Collar (Lid) for 46215	T-128	36142	Brushing Gasket (Shaft) for 46215	T-154	AF308	Individual Terminal Block, WEIDMÜLLER ZDU 1,5/4AN for 46215	T-179
AF293	Square Shaft Lid Folding for 46215	T-129	36128	Circlip DIN472 Hole D.62 2mm (Knife Shaft Holder) for 46215	T-155	AF309	Individual Terminal Block, WEIDMÜLLER ZDU 1.5/4AN BL for 46215	T-180

# Parts Breakdown

## Model FP-ES-0015 46215

Item No.	Description	Position	Item No.	Description	Position	Item No.	Description	Position
AD468	Thermal Magnetic Circuit Breaker 2P 2A for 46215	T-181	AD472	Thermal Magnetic Circuit Breaker 1P 2A for 46215	T-185	AF312	Individual Terminal Block, WEIDMÜLLER 4mm2 ZDU 4/3AN for 46215	T-189
AD469	Auxiliary Contact 6A for 46215	T-182	AF310	Power Supply WEIDMÜLLER 200-240/24V for 46215	T-186	AF313	Individual Terminal Block, WEIDMÜLLER 4mm2 ZDU 4/3AN BL for 46215	T-190
AD470	Safety Relay ABB Sentry SR42 for 46215	T-183	AF311	Circuit Breaker-Motor Protection 32A for 46215	T-187	AF314	Individual Terminal Block, WEIDMÜLLER 4mm2 ZPE 4/3AN for 46215	T-191
AD471	Thermal Magnetic Circuit Breaker 1P 4A for 46215	T-184	AD474	Camara for Auxiliary Contacts for 46215	T-188	AF315	Electronic Drive TRIF,7,5KW YASK V1000 200-240V 50/60HZ IP20 for 46215	T-192