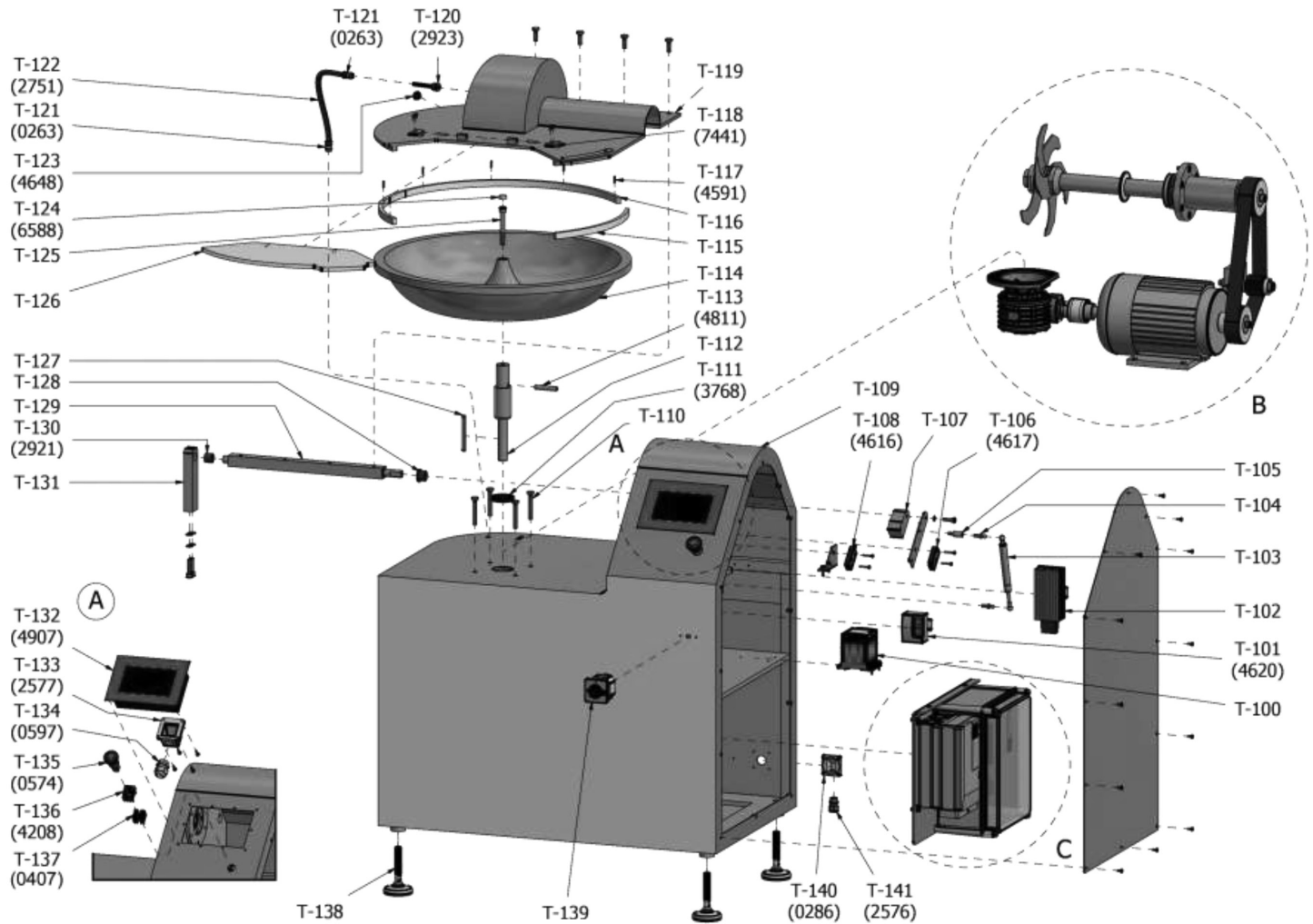


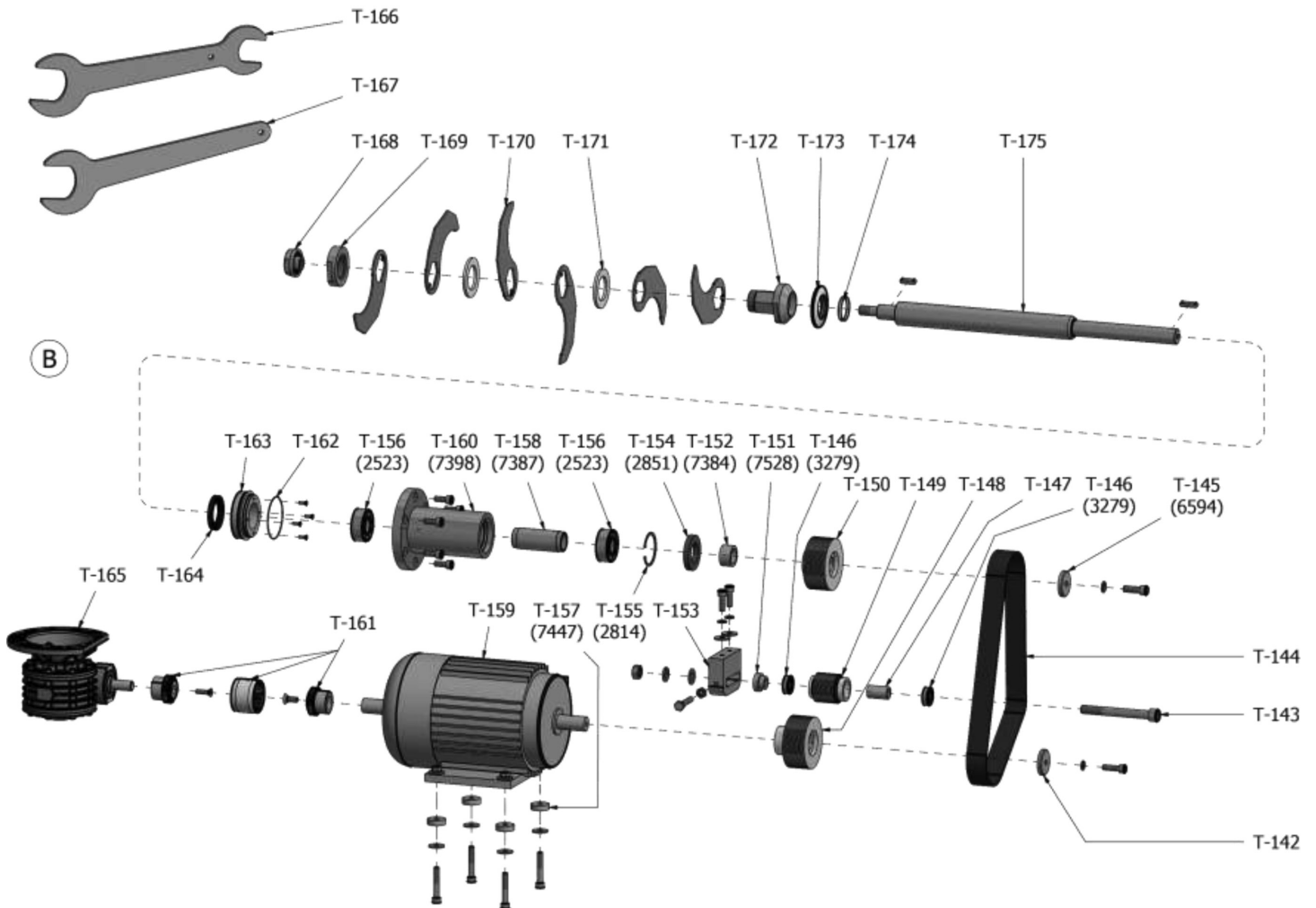
# Parts Breakdown

Model FP-ES-0030-N 46216



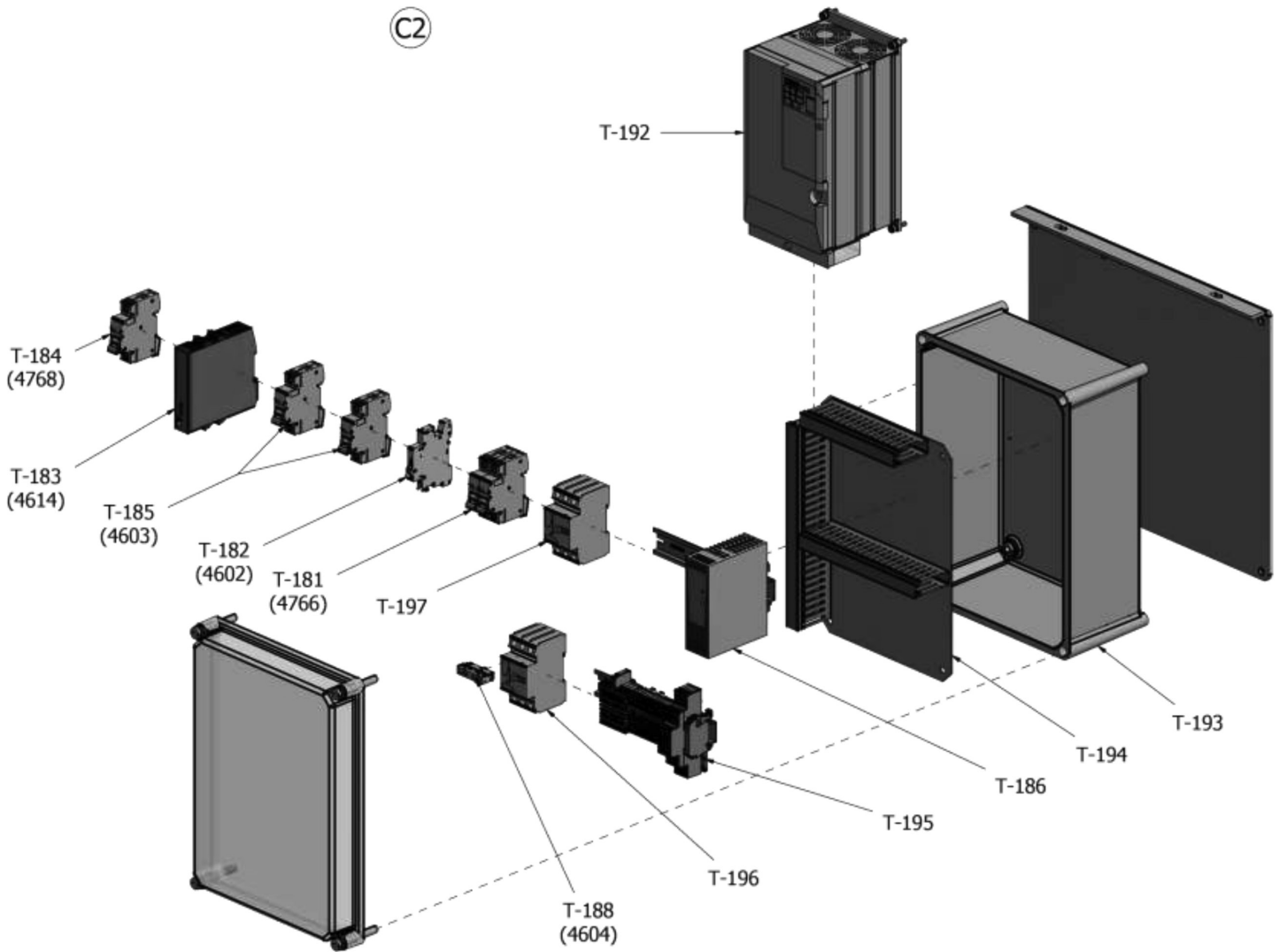
# Parts Breakdown

Model FP-ES-0030-N 46216



# Parts Breakdown

Model FP-ES-0030-N 46216



# Parts Breakdown

## Model FP-ES-0030-N 46216

Item No.	Description	Position	Item No.	Description	Position	Item No.	Description	Position
AD428	Transformer TECNOTRAFO TKS 100VA (400V) for 46216	T-100	36209	Transparent Plexiglas Lid Anti-Noise for 46216	T-126	36130	Socket Pulley Knife Shaft D.40 30 22 2 for 46216	T-152
AD429	Hygro-Thermostat 240V IP20 for 46216	T-101	AD448	Key Pin, AISI304 for 46216	T-127	36219	Holder Turnbuckle Belt HTD (03/01) for 46216	T-153
AD430	Electric Heater with Ventilation 75W IP20 for 46216	T-102	36182	Bronze Bushing B11 B-20-28-20/35-4 with Collar (Lid) for 46216	T-128	36142	Brushing Gasket (Shaft 2) for 46216	T-154
AD431	Air Piston for 46216	T-103	AD449	Square Shaft, Lid Folding for 46216	T-129	36128	Circlip DIN472 Hole D.62 2mm (Knife Shaft Holder) for 46216	T-155
AC913	Ball Joint, Male, Stainless Steel, Threaded M8 H15 for 46216	T-104	36164	Bronze Bushing B11 A-20-25-20 (2nd Holder Column Stainless Steel Lid) for 46216	T-130	36117	Ball Bearing SKF (2 Shaft) for 46216	T-156
AD432	Spacer, Lid Piston for 46216	T-105	36214	Columna Steel INOX Soporte Lid for 46216	T-131	36131	Motor Holder Aluminio D.35 D.10mm for 46216	T-157
AD433	Detector ABB EVE for 46216	T-106	AD450	Control Panel Cutter, Touch Screen 7" for 46216	T-132	36119	Socket Separator Bearings for 46216	T-158
AD434	Cam Stop, Lid for 46216	T-107	AD451	Angular Grommet, 90°, Grey for 46216	T-133	AD464	Motor for 46216	T-159
AD435	Detector ABB ADAM for 46216	T-108	AD452	Grommet, Grey for 46216	T-134	36118	Knife Shaft Holder (Torpedo) SUELTO without Accessories for 46216	T-160
AD436	Cabinet with Access Panel + Bottom Plate for 46216	T-109	36292	Head Pushbutton Mushroom Red D.40 Locking TE ZB4-BS54 (Turn) for 46216	T-135	36187	Coupling Elastic Bowex M28 (Gearbox Motor) for 46216	T-161
AD437	Stainless Steel Hexagonal Screw for 46216	T-110	AD453	Metallic Holder Emergency Stop Mushroom for 46216	T-136	36140	O-Ring Int. Diam. 75 2 NBR872 (Embellecedor) for 46216	T-162
AD438	Gasket for 46216	T-111	AD454	Contact Chamber for 46216	T-137	36196	Knives Shaft Dressing Stainless Steel for 46216	T-163
AD439	Gearbox Drive Shaft, Bowl, AISI303 for 46216	T-112	AD455	Foot, Stainless Steel for 46216	T-138	36197	Brushing Gasket (Knife Shaft 1 03/00) for 46216	T-164
AD440	Cylindrical Pin, Gearbox Shaft for 46216	T-113	AD456	Switch, 3 Phases 200-240V 50/60Hz for 46216	T-139	36194	Gearbox MI-60F REL. 1/100 L for 46216	T-165
36210	Bowl Stainless Steel for 46216	T-114	AD457	Angular Grommet, 90°, Grey for 46216	T-140	36180	Knife Dismantling Wrench 46/65mm (Combined 1) for 46216	T-166
AD441	Minor Bowl-Lid Friction Band for 46216	T-115	AD458	Grommet, Grey, Threaded for 46216	T-141	36181	Knife Dismantling Wrench 65mm (1) for 46216	T-167
AD442	Main Bowl-Lid Friction Band for 46216	T-116	36193	Washer Knife Motor Pulley for 46216	T-142	36208	Blocked Nut End of Knife Shaft M18 1.5 Counter-Clockwise Thread Stainless Steel for 46216	T-168
AD443	Spring Positioner (Friction Band) for 46216	T-117	AD459	Allen Screw, Stainless Steel M16x140 for 46216	T-143	36207	Knife Fixing Nut Counter-Clockwise 2-Surface Stainless Steel for 46216	T-169
36160	Hinges Set Right/Left Stainless Steel Antinoise Lid for 46216	T-118	AD460	Toothed Belt, Poly-V Multi-Rib for 46216	T-144	36204	Knife Cutter 4C Flat for 46216	T-170
AD444	Stainless Steel Lid for 46216	T-119	AD461	Washer, D.12.5xD.50x8mm for 46216	T-145	AD465	Spacer Ring 6 Knives, White (12,5mm) for 46216	T-171
36156	Stainless Steel Probe D.10 15 3M Digital Thermometer for 46216	T-120	36174	Ball Bearing SKF (Turnbuckle Pulley HTD 2) for 46216	T-146	AD466	Spacer Ring 3 Knives, White (17mm) for 46216	T-171
AD445	Grommet, Grey for 46216	T-121	36220	Spacer Ring Ball Bearings Turnbuckle HTD D.24 40.2 for 46216	T-147	36203	Hexagonal Knife Holder M41 2.5 Counter-Clockwise Stainless Steel for 46216	T-172
36158	Protection Tube Reforced D.10/PG9 Thermometer Sensor (Probe Cutters) for 46216	T-122	AD462	Pulley, Poly-V D.100x60 (Motor) for 46216	T-148	AD467	Plastic Ring, Knife Shaft Meat Separator for 46216	T-173
76716	Transparent Anti-Noise Lid for 46216	T-123	76728	Tension Wheel for 46216	T-149	36201	O-Ring Int. Diam 44 2 NBR872 (2 Diffusor) for 46216	T-174
AD446	Cover for Center Bowl Screw for 46216	T-124	AD463	Pulley, Poly-V D.100x60 (Knives Shaft) for 46216	T-150	36199	Knife-Head Shaft Stainless Steel for 46216	T-175
AD447	Allen Screw, Stainless Steel M12x90 for 46216	T-125	36172	Washer Pulley Turnbuckle HTD D.35 16.2 24.5 for 46216	T-151	AD468	Thermal Magnetic Circuit Breaker 2P 2A for 46216	T-181

# Parts Breakdown

## Model FP-ES-0030-N 46216

Item No.	Description	Position	Item No.	Description	Position	Item No.	Description	Position
AD469	Auxiliary Contact 6A for 46216	T-182	AD473	Power Supply WEIDMÜLLER 200-240/24V for 46216	T-186	AD477	Base Plate, Assembly, HIMEL for 46216	T-194
AD470	Safety Relay ABB Sentry SR42 for 46216	T-183	AD474	Camera for Auxiliary Contacts for 46216	T-188	AD478	Terminal Block WEIDMÜLLER for 46216	T-195
AD471	Thermal Magnetic Circuit Breaker 1P 4A for 46216	T-184	AD475	Electronic Drive TRIF.7,5KW YASK V1000 200-240V 50/60Hz IP20 for 46216	T-192	AD479	Circuit Breaker-Motor Protection 22A for 46216	T-196
AD472	Thermal Magnetic Circuit Breaker 1P 2A for 46216	T-185	AD476	Isolating Box, HIMEL Modular for 46216	T-193	AD480	Circuit Breaker-Motor Protection 1.6A for 46216	T-197