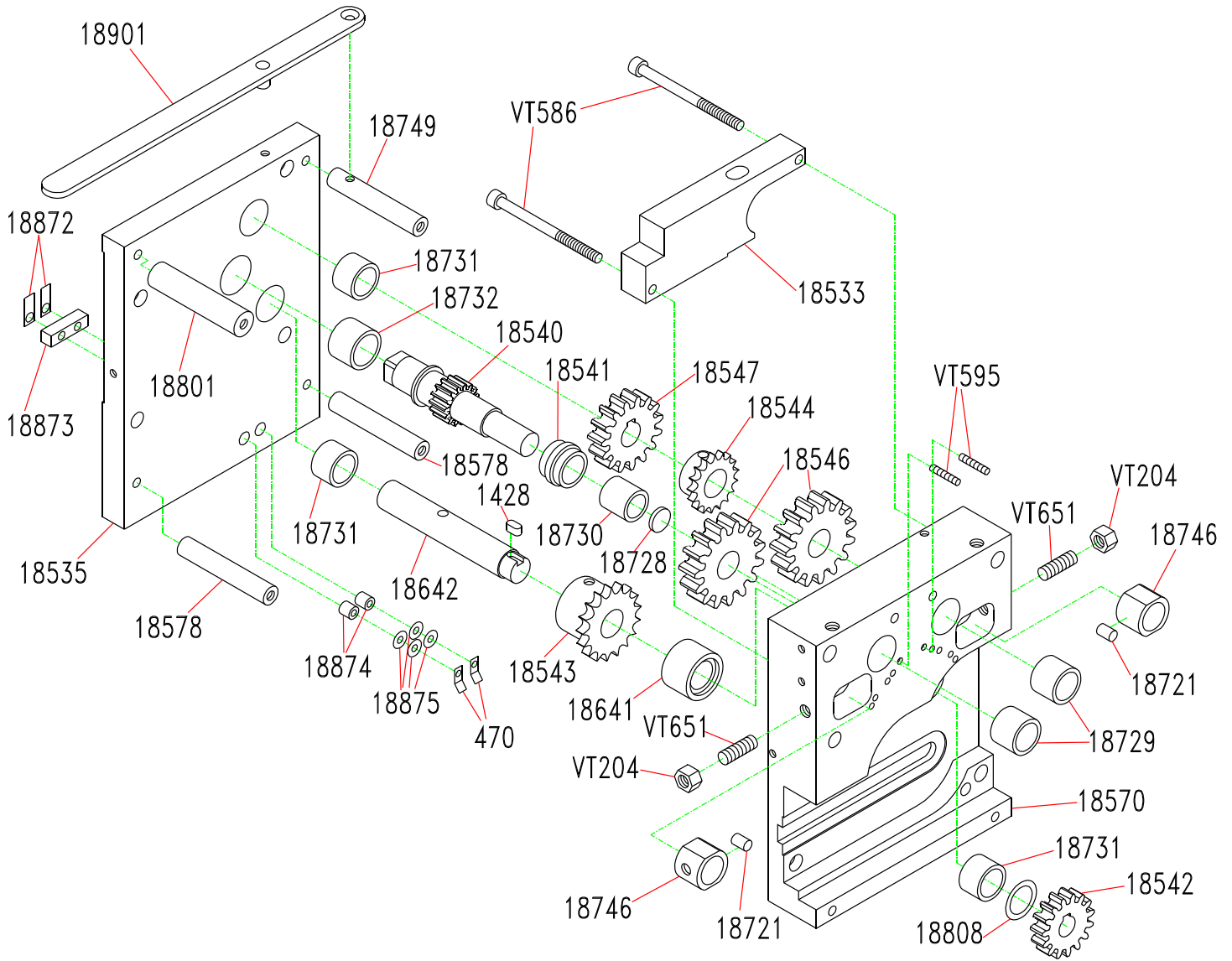


Parts Breakdown

Model PM-IT-0030-R 46296

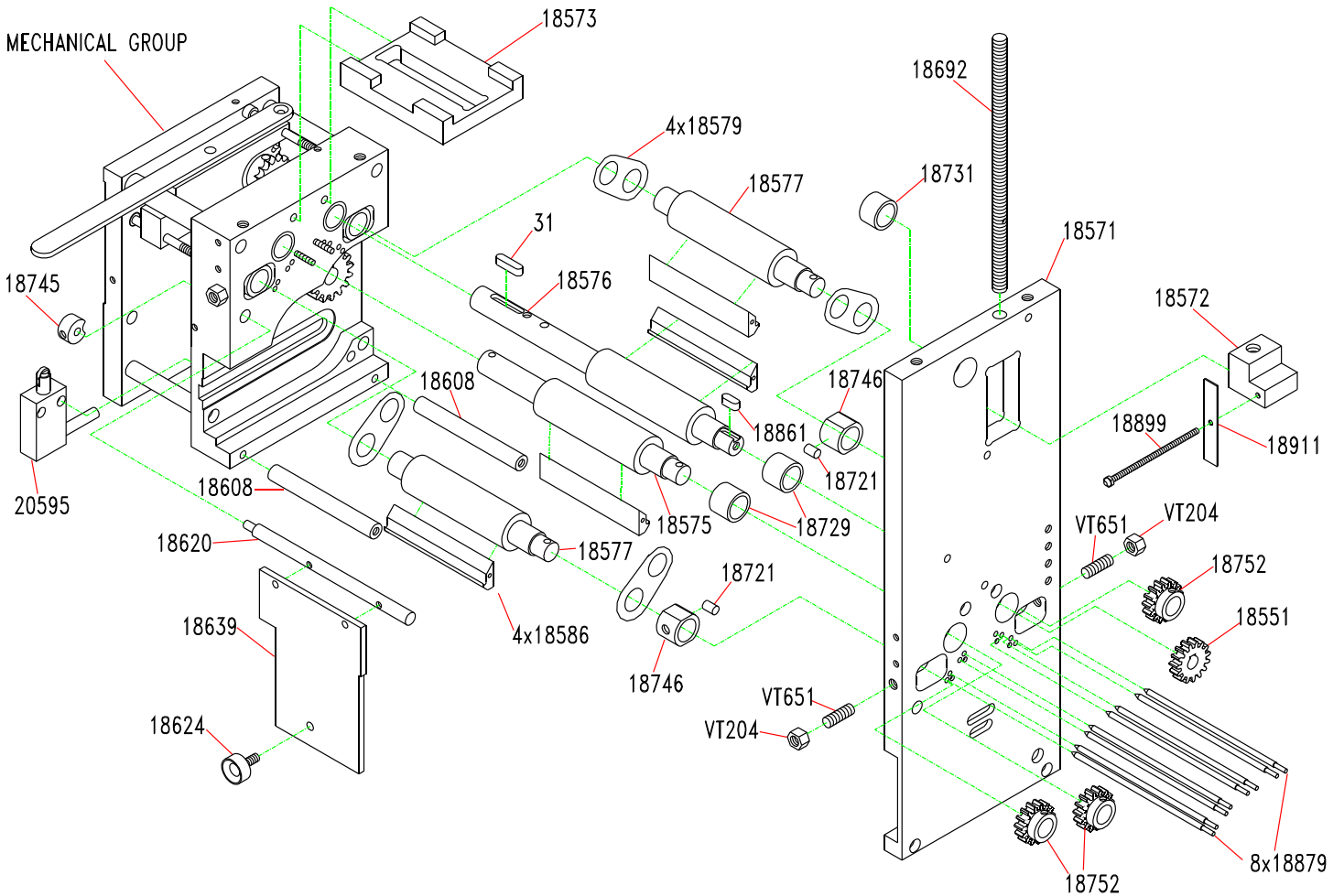
Mechanical Group



Parts Breakdown

Model PM-IT-0030-R 46296

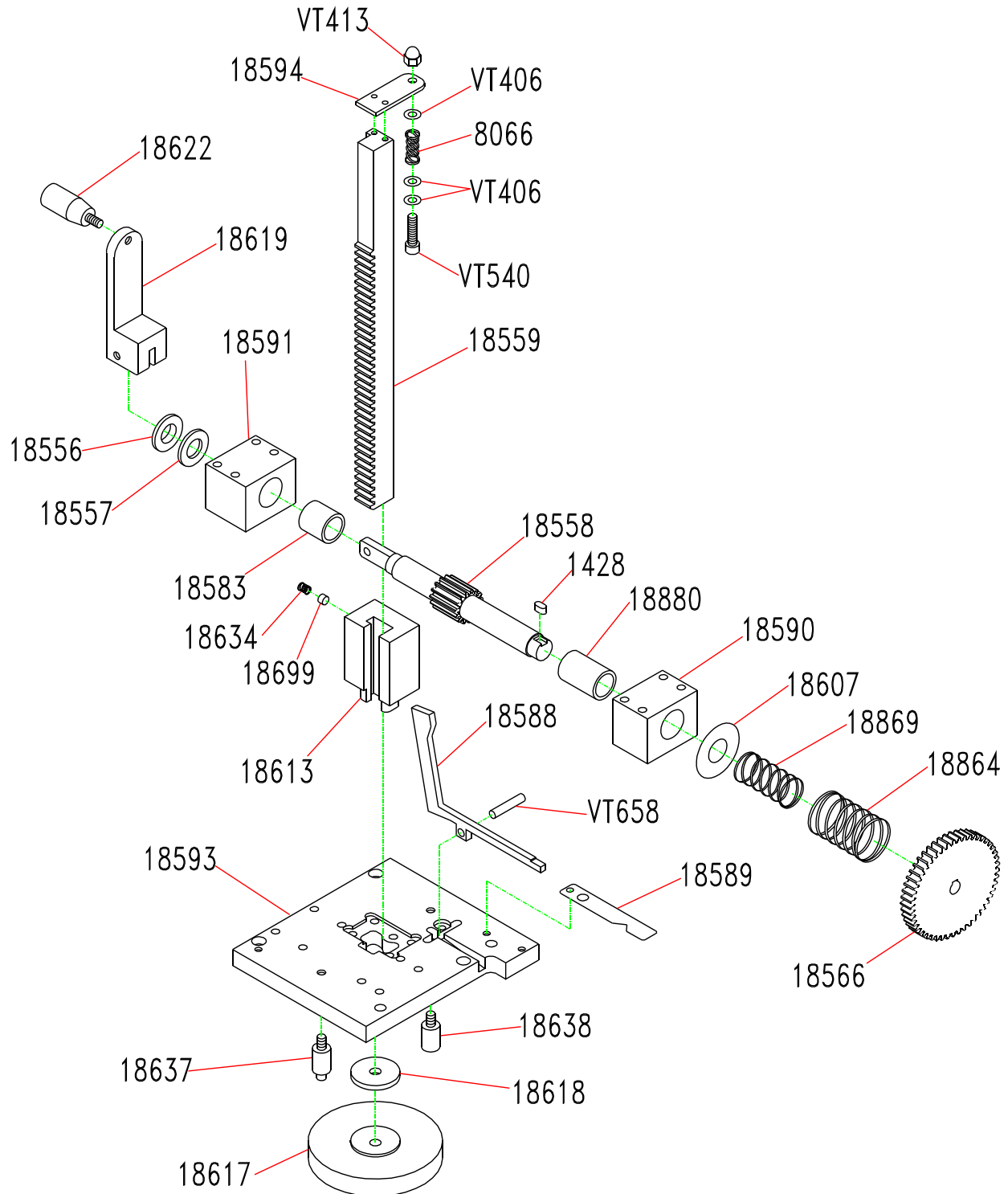
Calibrating Rollers Group



Parts Breakdown

Model PM-IT-0030-R 46296

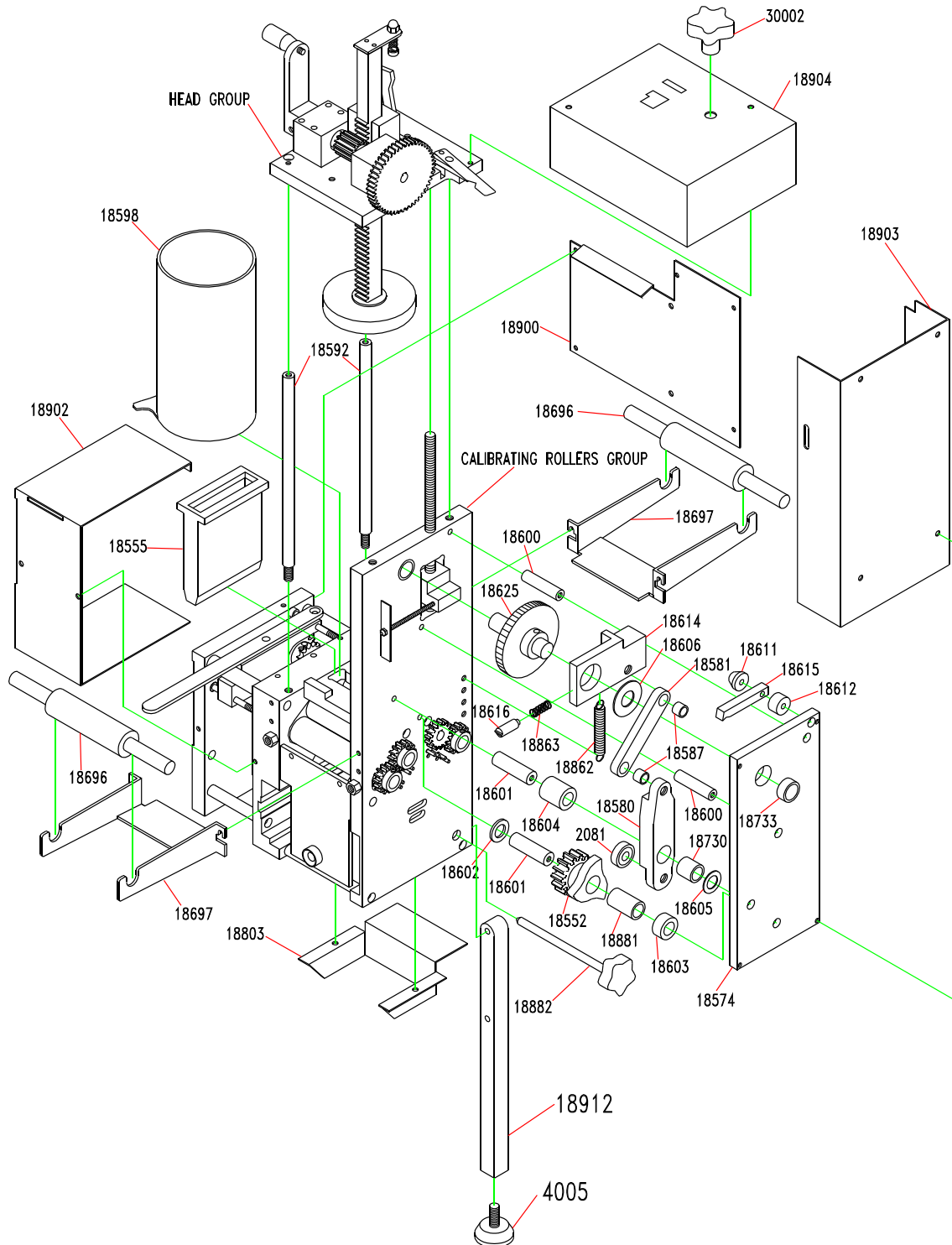
Head Group



Parts Breakdown

Model PM-IT-0030-R 46296

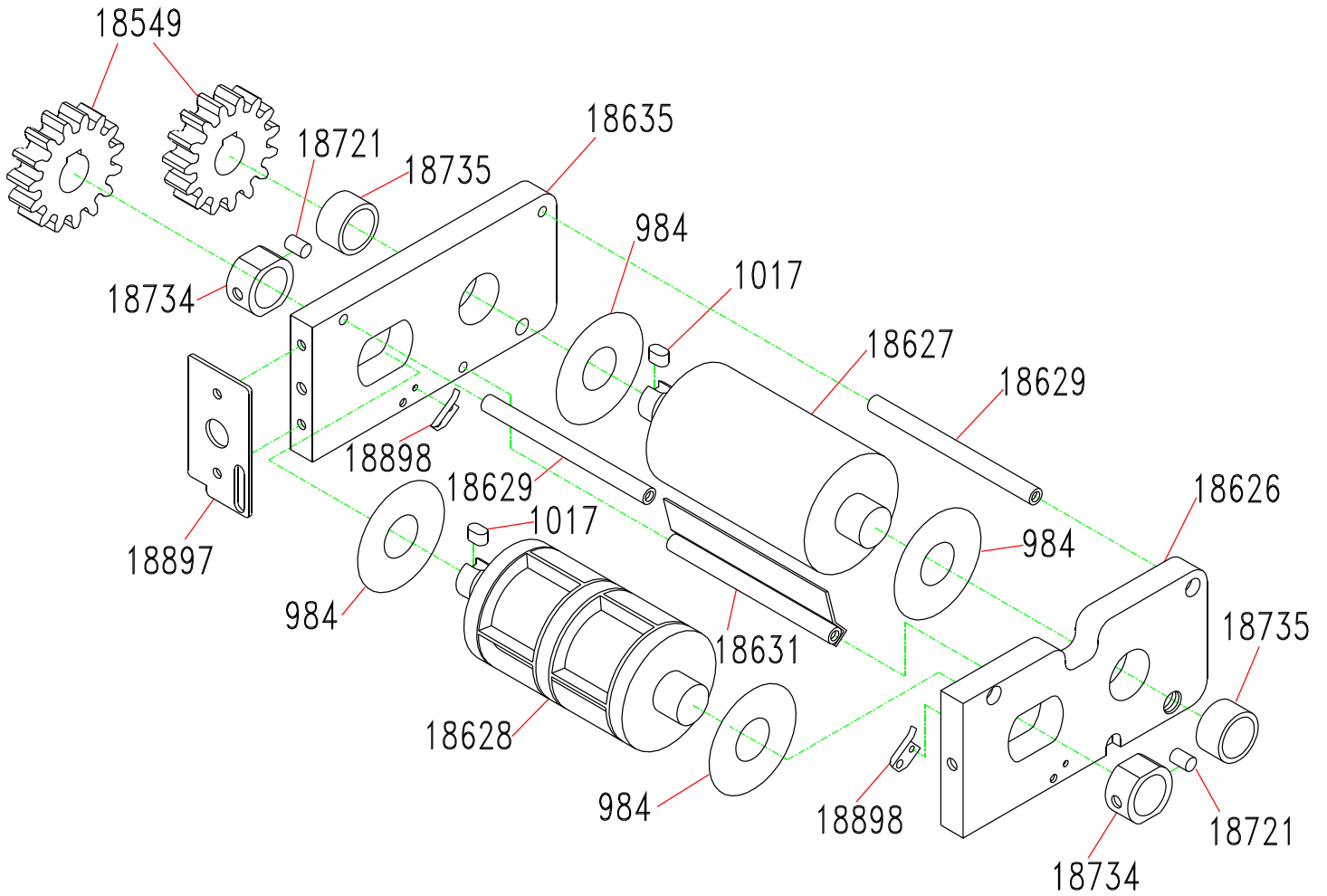
Body Machine



Parts Breakdown

Model **PM-IT-0030-R** 46296

Die Group



Parts Breakdown

Model PM-IT-0030-R 46296

Item No.	Description	Position	Item No.	Description	Position	Item No.	Description	Position
AB852	Key 6x6x30 for 46276	31	AB882	Spring for 46276	18589	AB927	Sheet Roller Support for 46276	18697
AB818	Electric Connection for 46276	470	AB883	Handle Shaft Right Support for 46276	18590	AB896	Rack Brake for 46276	18699
AB940	Washer for 46276	984	AB884	Handle Shaft Left Support for 46276	18591	AB833	Silicone Spring for 46276	18721
AB941	Key 6x6x10 for 46276	1017	AB912	Head Group Bar for 46276	18592	AB834	Support Washer for 46276	18728
AB819	Key 5x5x10 for 46276	1428	AB885	Main Plate for 46276	18593	AB835	Calibrating Rollers Bush for 46276	18729
AB904	6000 2R-S Bearing for 46276	2081	AB886	Filling Disengage Plate for 46276	18594	AB836	Bush 15x20x20 for 46276	18730
AB905	M8 Foot for 46276	4005	AB913	Filling Cylinder for 46276	18598	AB837	Bush 18x23x15 for 46276	18731
AB874	Filling Disengage Spring for 46276	8066	AB914	External Support Plate Spacer for 46276	18600	AB838	Bush 20x25x18 for 46276	18732
AB820	Gear Support for 46276	18533	AB915	Filling Cam Spacer for 46276	18601	AB928	External Support Plate Bush for 46276	18733
AB821	Left Side for 46276	18535	AB916	Cam Washer for 46276	18602	AB949	Sliding Bush for 46276	18734
AB822	Motor Shaft for 46276	18540	AB917	Brass Cam Spacer for 46276	18603	AB950	Fixed Bush for 46276	18735
AB823	Chain Bush for 46276	18541	AB918	Swinging Lever Spacer for 46276	18604	AB867	Safety Switch Cam for 46276	18745
AB824	M2 Z20 Die Group Gear for 46276	18542	AB919	Swinging Lever Washer for 46276	18605	AB839	Adjustable Bush for 46276	18746
AB825	3/8" Z17 Sprocket Wheel for 46276	18543	AB920	Rotation Support Washer for 46276	18606	AB840	N.2 Spacer for 46276	18749
AB826	3/8" Z17 Sprocket Wheel for 46276	18544	AB887	Spring Washer for 46276	18607	AB868	M2 Z15 Gear for 46276	18752
AB827	M2 Z26 Calibrating Rollers Gear for 46276	18546	AB862	Spacer for 46276	18608	AB841	N.3 Spacer for 46276	18801
AB828	M2 Z23 Gear for 46276	18547	AB921	Filling Block Lever Left Spacer for 46276	18611	AB929	Ravioli Chute for 46276	18803
AB942	M2 Z29 Gear for 46276	18549	AB922	Filling Block Lever Right Spacer for 46276	18612	AB842	Metal Ring for 46276	18808
AB853	M2 Z15 Motor Gear for 46276	18551	AB888	Rack Bush for 46276	18613	AB869	Key 5x5x15 for 46276	18861
AB906	Filling Cam for 46276	18552	AB923	Rotation Support for 46276	18614	AB930	Return Spring for 46276	18862
AB907	Filling Dispenser for 46276	18555	AB924	Filling Block Lever for 46276	18615	AB931	Pushing Block Lever Spring for 46276	18863
AB875	Handle Washer for 46276	18556	AB925	Pushing Block Lever for 46276	18616	AB897	Disengage External Spring for 46276	18864
AB876	Handle Washer for 46276	18557	AB889	Filling Plate for 46276	18617	AB898	Disengage Internal Spring for 46276	18869
AB877	Piston Shaft M2 Z12 for 46276	18558	AB890	Filling Plate Support for 46276	18618	AB843	Switch Spring for 46276	18872
AB878	Rack for 46276	18559	AB891	Filling Handle for 46276	18619	AB844	Switch Spring Support for 46276	18873
AB879	M2 Z39 Gear for 46276	18566	AB863	Front Panel Shaft for 46276	18620	AB845	Switch Bush for 46276	18874
AB829	Main Side for 46276	18570	AB892	Rotating Handle M6 for 46276	18622	AB846	Switch Washer for 46276	18875
AB854	Filling Side for 46276	18571	AB864	Knob M6x16 for 46276	18624	AB870	Scraper Bar for 46276	18879
AB855	Filling Regulation Block for 46276	18572	AB926	Filling Gear for 46276	18625	AB899	Long Bush for 46276	18880
AB856	Filling Outlet Support for 46276	18573	AB943	Right Side for 46276	18626	AB932	Filling Cam Bush for 46276	18881
AB908	External Support Plate for 46276	18574	AB944	Support Roller for 46276	18627	AB933	Die Group Fixing for 46276	18882
AB857	First Calibrating Roller for 46276	18575	AB945	Molder Roller for 46276	18628	AB951	Frontal Plate for 46276	18897
AB858	Driven Calibrating Roller for 46276	18576	AB946	Spacer for 46276	18629	AB952	Molder Roller Scraper for 46276	18898
AB859	Adjustable Calibrating Roller for 46276	18577	AB947	Support Roller Scraper for 46276	18631	AB871	Filling Indication Screw for 46276	18899
AB830	Spacer for 46276	18578	AB893	Rack Brake Spring for 46276	18634	AB934	Back Panel for 46276	18900
AB860	Rollers Pillow for 46276	18579	AB948	Left Side for 46276	18635	AB847	Disengage Lever for 46276	18901
AB909	Swinging Lever for 46276	18580	AB894	Support Pivot for 46276	18637	AB935	Frontal Panel for 46276	18902
AB910	Pushing Lever for 46276	18581	AB895	Stuff Cylinder Pivot for 46276	18638	AB936	Lateral Panel for 46276	18903
AB880	Short Bush for 46276	18583	AB865	Front Panel for 46276	18639	AB937	Top Panel for 46276	18904
AB861	Scraper for 46276	18586	AB831	Motor Shaft Spacer for 46276	18641	AB872	Filling Regulation Plate for 46276	18911
AB911	Pushing Lever Bush for 46276	18587	AB832	Die Group Motor Shaft for 46276	18642	AB938	Support Leg for 46276	18912
AB881	Filling Disengage Bar for 46276	18588	AB866	Filling Regulation Screw for 46276	18692	AB873	Safety Switch for 46276	20595

Parts Breakdown

Model PM-IT-0030-R 46296

Item No.	Description	Position	Item No.	Description	Position	Item No.	Description	Position
AB939	M10 Knob for 46276	30002	AB901	Stainless Steel M6 Nut for 46276	VT413	AB850	M4x20 Stainless Steel Screw for 46276	VT595
AB848	M8 Stainless Steel Nut for 46276	VT204	AB902	Stainless Steel M6x25 Screw for 46276	VT540	AB851	M8x25 Stainless Steel Screw for 46276	VT651
AB900	Stainless Steel M6 Washer for 46276	VT406	AB849	ZN M6x80 Screw for 46276	VT586	AB903	6x30 Pin for 46276	VT658