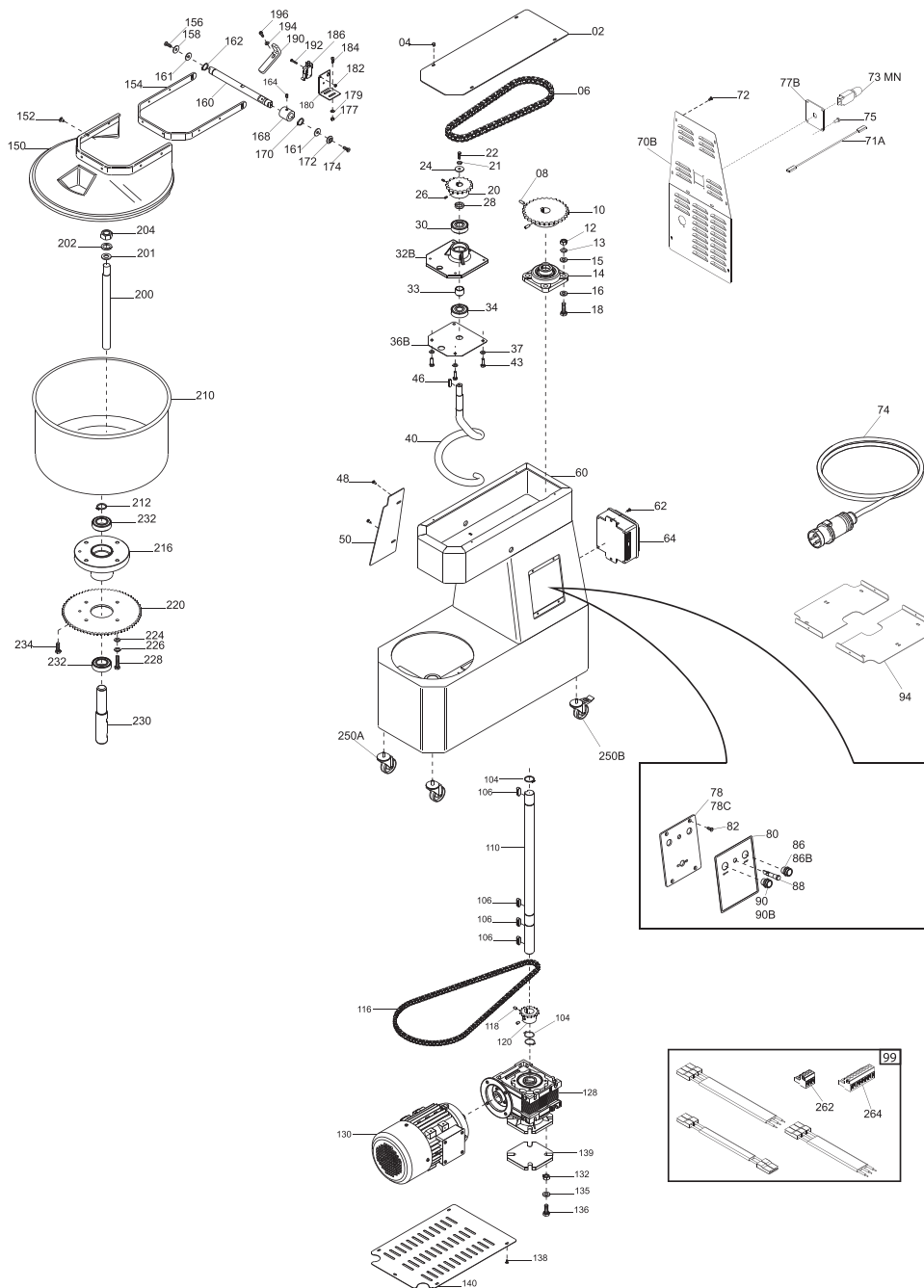


PARTS BREAKDOWN

ITEM	MODEL
47418	MX-IT-0030-FT



PARTS BREAKDOWN

ITEM	MODEL
47418	MX-IT-0030-FT

Item No.	Description	Position	Item No.	Description	Position	Item No.	Description	Position
AH057	Upper Casing ETL Vern. for 47418	02	AH034	Ball Bearing 6204 2RS NTN for 47418	30	AG952	Power Cable UL Thermal Protection for 47418	71
69217	Screw Poeliers M4x8 for 47418	04	AH037	Spiral Cast Iron Supp Y12 HRC 30 Lav. for 47418	32B	69217	Screw Poeliers M4x8 for 47418	72
AH038	Chain 1/2x5/6" for 47418	06	AH052	Dist.Int.Cusc.Supp.Spiral for 47418	33	AH046	Thermal Protection T11-211 11A MN for 47418	73
AH031	Screw Din 916 M6x20 NE for 47418	08	AH034	Ball Bearing 6204 2RS NTN for 47418	34	AH045	Power Cable CMP Suko PA244S 3x1.5 for 47418	74
AG959	Pinion Z30 1/2x5/16" for 47418	10	AH049	Spiral Support Plate Y12 for 47418	36B	AH010	Screw Autof.TC+Din 7981 D3x8 for 47418	75
AH027	Nut ES. Din 934 M10 for 47418	12	62644	Flat Washer Din 125 D8 for 47418	37	AG991	Supp. Plate Prot. Term. MN for 47418	77
AG958	Flange Support for 47418	14	AH048	Spiral Y17 for 47418	40	AH060	Plate. Controls Panel for 47418	78
62645	Flat Washer Din 125 D10 for 47418	15	AH022	Screw TE Din 933 M8x25 T.F. for 47418	43	AH011	Screw TC+Din 7985 M4x8 for 47418	79
AH016	Washer F.Larga Din 9021 D10x30 for 47418	16	AH067	Feathers Din 6885 / A6x6x25 for 47418	46	AG971	Face Plate. Controls Panel for 47418	80A
AH025	Screw TE Din 933 M10x35 T.F. for 47418	18	69217	Screw Poeliers M4x8 for 47418	48	AH012	Screw TSPEI DIN 7991 M5x8 for 47418	82
AH040	Pinion Z17 1/2x5/16 Inch D20 for 47418	20	AH059	Tank Protection ETL Vern. for 47418	50	AH014	Washer F.Larga Din 9021 D4x12 for 47418	84
AH004	Grower Washer Uni 1751 D8 for 47418	21	AH056	Welded Frame ETL Vern. for 47418	60	AG949	Black Push Button N.O. for 47418	86
62663	X.Screw Din 933 M8x20 for 47418	22	AH019	Screw TCEI Din 912 M6x10 for 47418	62	AG947	Stainless Steel Off Button Resin-Coated Y12 UL for 47418	86B
AH004	Grower Washer UNI 1751 D8 for 47418	23	62660	Washer F Wide Din 9021 D6x18 for 47418	63	AH035	Pilot Light 24V for 47418	88
AH070	Washer F Wide Din 9021 D8x32 ZN for 47418	24	AH066	Electric Box TGM2SIR MN for 47418	64	AG950	White Push Button N.O. for 47418	90
AH069	Screw without Head Din 916 M5x16 NE for 47418	26	AH036	Terminal Block for 47418	68	AG948	Stainless Steel On Button with Light Y12 Resin UL for 47418	90B
AH050	Spacer for 47418	28	AH058	Rear Carter Y16 ETL Vern. for 47418	70	AH064	Internal Panel ETL for 47418	94

PARTS BREAKDOWN

ITEM	MODEL
47418	MX-IT-0030-FT

Item No.	Description	Position	Item No.	Description	Position	Item No.	Description	Position
AH027	Nut ES. Din 934 M10 for 47418	97	69218	Screw Poeliers M5x8 for 47418	152	AH054	Shaft for 47418	200
AH047	Internal Wiring 220/60 ETL for 47418	99	AH063	Lid Frame for 47418	154	AH005	Grower Washer UNI 1751 D18 for 47418	201
AH007	Retaining Rings Din 471 D25E for 47418	104	AH013	Flathead CSK Screw Din 7991 M5x14 for 47418	156	AH033	Flat Washer Din 125 D18 Zinc for 47418	202
AH009	Feathers Din 6885 / A8x7x25 for 47418	106	AH055	Lid Shaft for 47418	160	AH028	Nut ES. Din 934 M18 for 47418	204
AH053	Transmission Shaft for 47418	110	AG996	Plastic Washer 16x25x1 for 47418	161	AH051	Bowl 400x260 for 47418	210
AH039	Chain 3/8x7/32" for 47418	116	AH006	Stop Rings Din 471 D15E for 47418	162	AH007	Retaining Rings Din 471 D 25E for 47418	212
AH030	Grub Screw Din 916 M6x8 NE for 47418	118	AH030	Grub Screw Din 916 M6x8 NE for 47418	164	AG955	Bowl Holder for 47418	216
AH041	Pinion Z20 3/8x7/32" D25 for 47418	120	AG997	Cam TA for 47418	168	AH042	Crown Z85 3/8x7/32" C.Lav. for 47418	220
AH044	Reducer NMRV 063 B14 1/30 FA 90 for 47418	128	AG977	Washer for 47418	172	AH004	Grower Washer Uni 1751 D8 for 47418	226
AH043	Mot. MC 90 1.10Kw B14 4P UL 220-60 for 47418	130	AH026	Hex.Nut Din 934 M4 for 47418	177	AH023	Screw TE Din 933 M8x35 T.F. for 47418	228
AH027	Nut ES. Din 934 M10 for 47418	132	AG990	Hold Plate for Microswitch for 47418	180	AG981	Shaft. Bowl Support for 47418	230
62645	Flat Washer Din 125 D10 for 47418	135	69215	Nut Din 934 M3 for 47418	182	AH032	Screw without Head Din 916 M8x16 NE for 47418	231
AH024	Screw TE Din 933 M10x30 T.F. for 47418	136	69209	Washer Din 125 D3 for 47418	183	AG945	Bearing 6205 2RS ORS for 47418	232
AH068	Screw TE Din 933 M10x40 T.F. for 47418	137	AG965	Micro Switch with Lever ETL for 47418	186	AH022	Screw TE Din 933 M8x25 T.F. for 47418	234
69217	Screw Poeliers M4x8 for 47418	138	AG989	Corner Plate for 47418	190	AG998	Wheel ETL CMT1-3PPB for 47418	250A
AH062	Gear Motor Plate 30 for 47418	139	AH020	Screw TE Din 933 M3x16 T.F. for 47418	192	AG999	ETL Wheel C/Brake CMT1-3PPB for 47418	250B
AH061	Underdeck Protection for 47418	140	AH001	Washer Din 125 D5 for 47418	194	AG969	3-Pole HRC Connector for 47418	262
AH065	ETL Thermoformed Protection for 47418	150	AH018	Screw TCEI Din 912 M5x12 for 47418	196	AG970	8 Poles HRC Connector for 47418	264