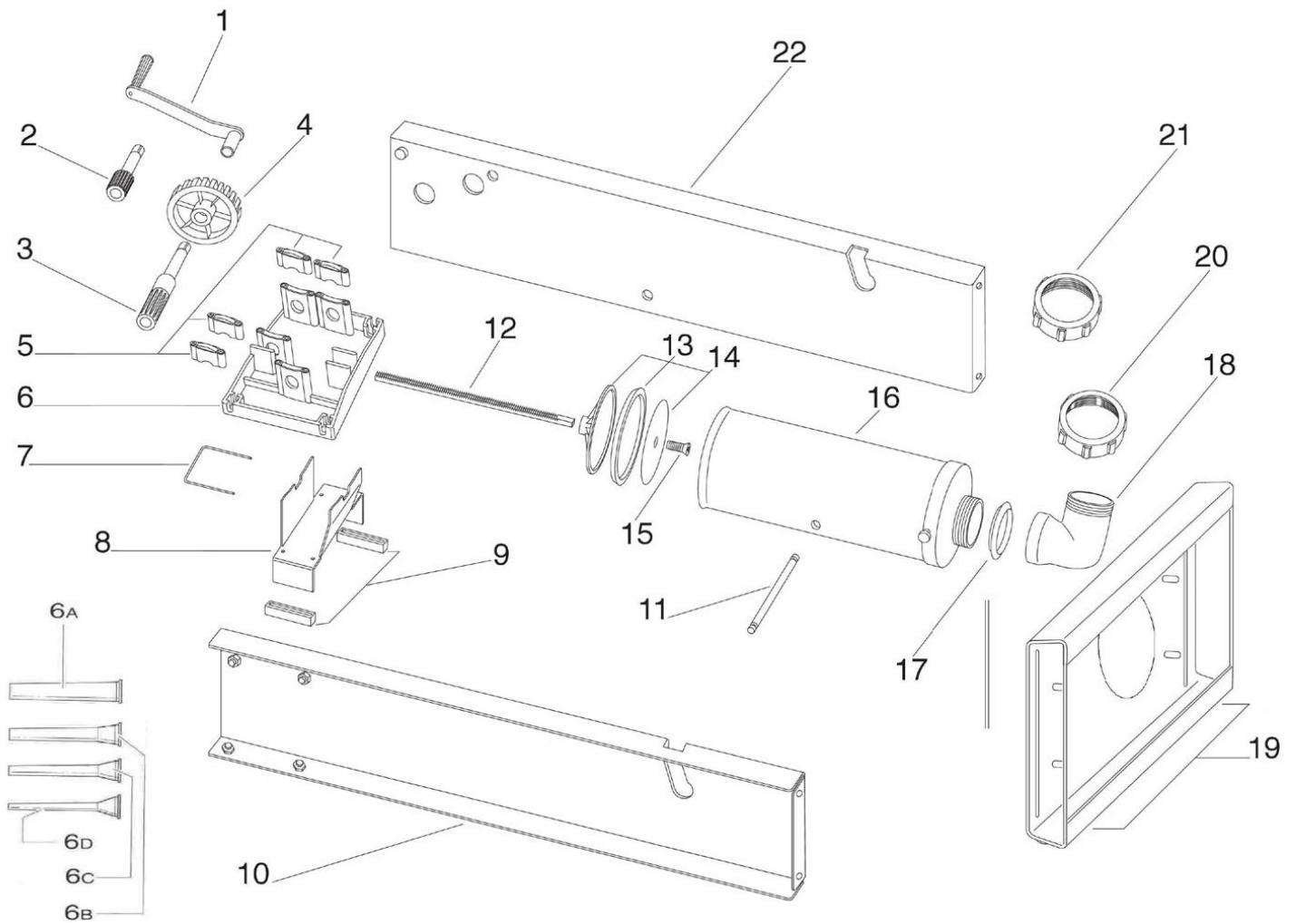


PARTS BREAKDOWN

ITEM

48161



PARTS BREAKDOWN

ITEM

48161

Item No.	Description	Position	Item No.	Description	Position	Item No.	Description	Position
AQ091	Crank for 48161	1	AQ097	Crankcase Gears Vertical Series for 48161	8	AQ105	Corner Junction Gasket Vertical Series for 48161	17
45090	Forward Motion Pin (Slow) for 48161	2	AQ098	Rubber Foot for 48161	9	AQ106	Corner Junction Vertical Series for 48161	18
AQ092	Backward Motion Pin (Fast) for 48161	3	AQ122	7kg Close Casing Vertical for 48161	10	AQ117	Inox Foot Vertical Series for 48161	19
AI869	Large Tooth Gear for 48161	4	AQ114	Crossbar Casing for 48161	11	AQ108	Aluminum Nut Sausage Stuffer for 48161	20
AQ118	Gear (Fast Motion) Steel for 48161	4	AQ123	7kg Rack for 48161	12	AQ109	Ring Nut Vertical Series for 48161	21
AQ093	Couple Clamps for 48161	5	AQ102	Seal Buffer for 48161	13	AQ125	7kg Open Casing Vertical for 48161	22
AQ094	Flange Complete for 48161	6	AQ103	Buffer+Cover for 48161	14	AQ126	7kg Casing Horizontal Red for 48161	23
AQ095	Set of Filling Tubes for 48161	6a, 6b, 6c, 6d	AQ104	Inox Screw 8x40 for 48161	15			
AQ096	Tube Lock for 48161	7	AQ124	7kg Stainless Steel Tube for 48161	16			