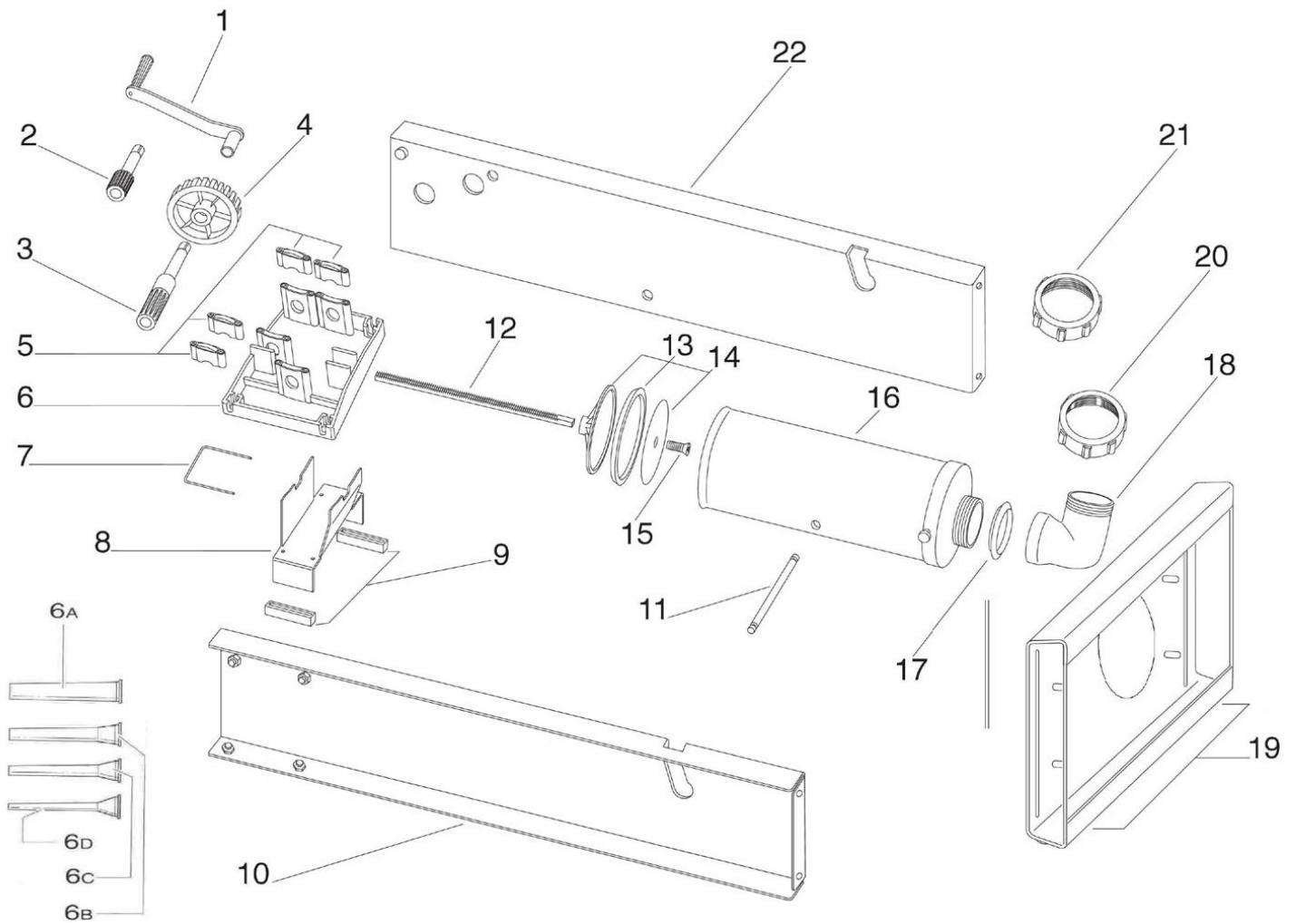


# PARTS BREAKDOWN

ITEM

48166



# PARTS BREAKDOWN

**ITEM**

**48166**

Item No.	Description	Position	Item No.	Description	Position	Item No.	Description	Position
AQ128	Crank for 48166	1	AQ098	Rubber Foot for 48166	9	AQ106	Corner Junction Vertical Series for 48166	18
AQ129	Forward Motion Pin (Slow) for 48166	2	AQ135	10kg Close Casing Vertical for 48166	10	AQ107	Inox Foot Vertical Series for 48166	19
AQ130	Backward Motion Pin (Fast) for 48166	3	AQ136	Crossbar Casing for 48166	11	AF682	Aluminum Nut for 48166	20
AQ131	Gear (Fast Motion) for 48166	4	AQ137	10kg Rack for 48166	12	AQ109	Ring Nut Vertical Series for 48166	21
AQ132	Couple Clamps for 48166	5	AQ138	Seal Buffer for 48166	13	AQ141	10kg Open Casing Vertical for 48166	22
AQ133	Flange Complete for 48166	6	AQ139	Buffer+Cover for 48166	14	AQ143	10kg Closed + Open Casing Horizontal Inox Series for 48166	23
AQ095	Set of Filling Tubes for 48166	6a, 6b, 6c, 6d	AQ104	Inox Screw 8x40 for 48166	15	AQ145	Inox Series Foot 2pcs 10-12kg for 48166	
AQ096	Tube Lock for 48166	7	AQ140	10kg Stainless Steel Tube for 48166	16			
AQ134	Crankcase Gears Vertical Series for 48166	8	AQ105	Corner Junction Gasket for 48166	17			