

# Zumoval Minimatic - Auto Feed, Push Button

ITEM: 49202 49203  
MODEL: JE-ES-0015-F-PB JE-ES-0015-F-PA



## The Smallest Juicers With Automatic Feeding

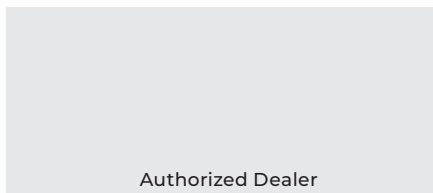
Juicers designed for cafés, bars or kitchens. The Zumoval juicers are built in a wide range of sizes, perfect for areas that have limited spaces.

### FEATURES:

- Compact model with automatic feeder
- Easy to use push button
- Screen includes options for:
  - Fruit counter
  - Operating mode
  - Fruit selector
  - Protection
  - Energy saving
  - Easy dismantling mode
- Automatic cleaning (**49203**)
- Peel bucket indicator
- 15 oranges per minute

Suitable for: Oranges

Optional Self Cleaning System



**European Style Juicers**

Proven in the market for over 20 years, Zumoval juicers are the strongest on the market with heavy-duty motors and gears manufactured from stainless steel. It is also the fastest juicer on the market with speeds up to 200 liters per hour.

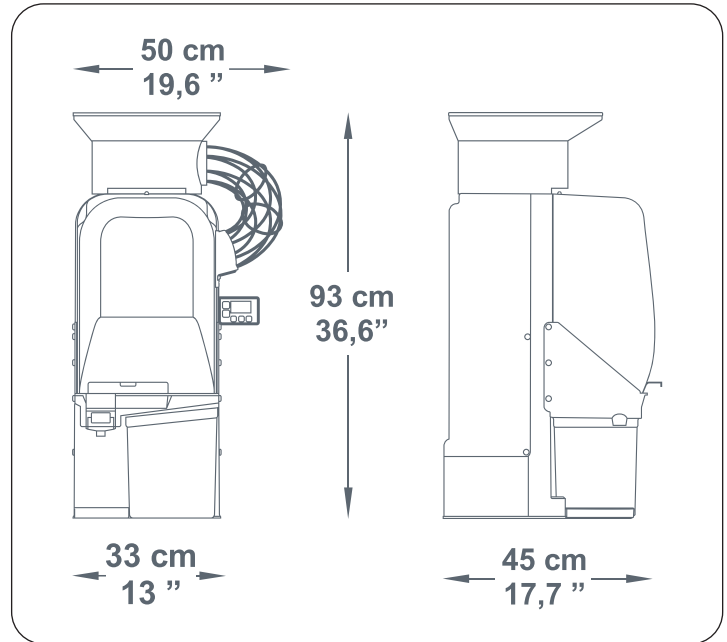
**What is Push&Juice?**

An innovative tray system that replaces the traditional tap. More hygienic, more practical and more efficient. With a simple push, juice is extracted instantly.

The system features two operating modes: Push&Juice mode, and Continuous juicing mode.

**Key Benefits**

- Cleaner workspace
- Easier operation
- Faster service
- Improved ergonomics



**Technical Specification**

Item	49202	49203
Model	JE-ES-0015-F-PB	JE-ES-0015-F-PA
<b>Feature</b>	<b>Without Auto Shower</b>	<b>With Auto Shower</b>
Feeder Capacity	17.6 lb (8 kg)	
Feeder Mode	Automatic	
Fruit Diameter	2.36" - 3.15" (60 - 80 mm)	
Waste Bin Capacity	20 lb (9 kg) ~54 squeezed oranges	
Production	15 oranges /minute	
Power	0.7 hp / 550 W	
Amps	8.1 A	
Electrical	115 V / 60 Hz / 1Ph	
Plug Type	5-15P	
Net Weight	117.5 lb (53.3 kg)	
Net Dimensions (WDH)	19.6" x 17.7" x 36.6" (500 x 450 x 930 mm)	