

Zumoval Top Juice Extractor

ITEM: 49205
MODEL: JE-ES-0028N-F-PB

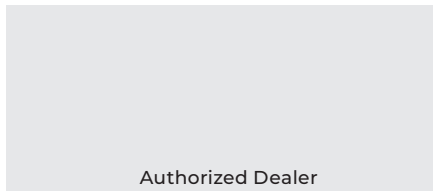


The perfect solution for medium and high consumption places: cafeterias, bars, hotels, restaurants, supermarkets or juice bars.

The exclusive design of Zumoval citrus fruit squeezers means that the peel is not pressed during the squeezing process, but separated from the flesh. The result of this process is a high quality, tasteful and vitamin-rich juice.

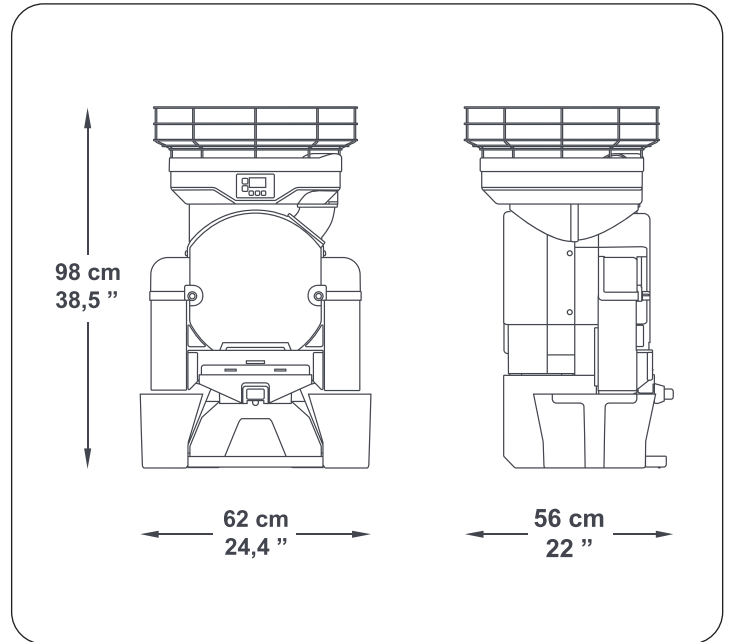
FEATURES:

- Self-Cleaning System (Automatic Shower)
- Automatic Double Action Filter
- ByeFly System: keeping it free of mosquitoes and flies
- Large Capacity Basket
- Auto Feeder
- Durable and Easy to Clean
- Push and Juice Button
- Suitable for squeezing oranges, grapefruits, pomegranates and other large citrus fruits.



European Style Juicers

Proven in the market for over 20 years, Zumoval juicers are the strongest on the market with heavy-duty motors and gears manufactured from stainless steel. It is also the fastest juicer on the market with speeds up to 200 liters per hour.



What is Push&Juice?

An innovative tray system that replaces the traditional tap. More hygienic, more practical and more efficient. With a simple push, juice is extracted instantly.

The system features two operating modes: Push&Juice mode, and Continuous juicing mode.

Key Benefits

- Cleaner workspace
- Easier operation
- Faster service
- Improved ergonomics

Technical Specification	
Item	49205
Model	JE-ES-0028N-F-PB
Feeder Capacity	55 lb / 25 kg
Feeder Mode	Automatic
Fruit Diameter	2.36" - 3.15" (60 - 80 mm)
Waste Bin Capacity	26.5 lb (12 kg) ~72 squeezed oranges
Production	28 fruits per minute
Power	0.7 hp / 550 W
Amps	8.1 A
Electrical	115 V / 60 Hz / 1Ph
Plug Type	5-15P
Net Weight	108 lb (49 kg)
Net Dimensions (WDH)	24.4" x 22" x 38.5" (620 x 560 x 980 mm)